

1U 12-Way MCB Distributions

This 1U distribution is a standalone unit for mounting in 19" frames. It has 12 pluggable MCB positions with load alarm and optional single feed, dual feed and LVLD. Rear cable entry and front accessed terminals ensures easy connectivity. Altogether, this compact distribution panel provides a cost-effective solution for protection of DC-loads.



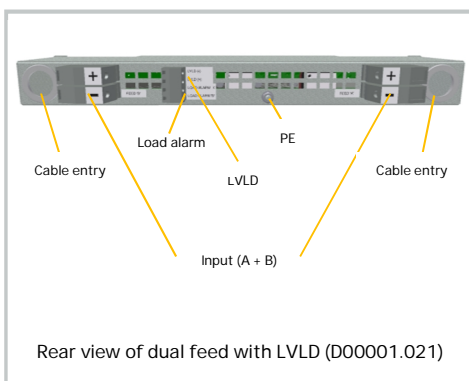
1U 12-WAY MCB DISTRIBUTIONS

(48V DC DISTRIBUTIONS)

Doc D00001.xxx.DS3 – rev2

APPLICATIONS

The 1U 12-Way distribution is designed to be used in all applications where negative distribution is required. It meet today's demands when it comes to state of the art, cost efficiency and flexibility in DC power systems. Together with its compact size and reliability, this distribution is a key building block for future needs.



PRODUCT DESCRIPTION

Part number D00001.018
Single feed. Up to 100A can be distributed across 12 breaker positions, F1 – F 12.

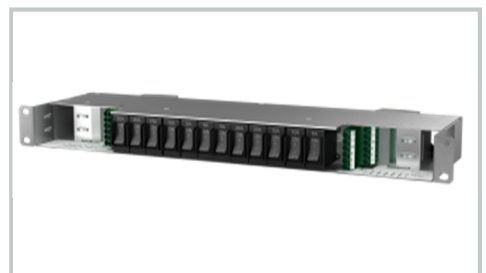
Part number D00001.019
Single feed with LVLD. The LVLD contactor is connected to breaker position F1 – F6 with a maximum load capacity of 50A. Breaker position F7 – F12 has a maximum load capacity of 100A.

Part number D00001.020
Dual feed. Up to 200A in total can be distributed across two inputs.
Input A: position F1 – F6 maximum 100A.
Input B: position F7 – F12 maximum 100A.

Part number D00001.021
Dual feed with LVLD. The LVLD contactor is connected to input A, position F1 – F6 with a maximum load of 50A. Input B: position F7 – F12 has a maximum load capacity of 100A.

KEY FEATURES

- 1U HIGH
- 19" WIDE
- 160mm DEEP
- 12 PLUGGABLE POSITIONS FOR B-FRAME CIRCUIT BREAKERS
- SINGLE OR DUAL INPUT
- OPTIONAL LVLD
- LOAD ALARM
- FRONT ACCESSED OUTPUT CONNECTIONS
- GLOBAL APPROVALS



1U 12-WAY MCB DISTRIBUTION



(1U DISTRIBUTION)



Model	Single feed	Dual feed
Part number (basic)	D00001.018	D00001.020
Part number w/LVLD*	D00001.019	D00001.021
INPUT DATA		
Maximum voltage	60 V _{DC}	60 V _{DC}
Maximum current	100A _{DC}	100A _{DC} pr feed(200A _{DC} total)
Connections (terminal block screw terminals)	2x25mm ²	2 x(2x25mm ²)
Earth (PE)	M6 stud	M6 stud
OUTPUT DATA		
Maximum voltage	60 V _{DC}	60 V _{DC}
Maximum current	100A _{DC} ¹⁾	100A _{DC} pr feed ²⁾
*Maximum current LVLD (position F1 – F6)	50A _{DC}	50A _{DC}
MCB ratings	12 x B-frame 2-30A	12 x B-frame 2-30A
*LVLD	48V 50A latching	48V 50A latching
LVLD connections	2 x 4mm ² screw terminal	2 x 4mm ² screw terminal
Load Alarm (diode matrix)	1 x 4mm ² screw terminal	2 x 4mm ² screw terminals
Output Connections	4mm ² screw terminals (rear cable entry front access)	
OTHER SPECIFICATIONS		
Dimensions	○ Height 1U (44 mm) ○ Width 19" (482.6 mm) ○ Depth 160 mm (incl. rear terminals)	
Weight approx.	1,8 kg [4.0 lbs]	1,9 kg [4,2 lbs]
Insulation	0.5 kV _{dc} (output-earth)	
Operating temperature	-10°C - +45°C	
Storage temperature	-40°C - +85°C (long term -10°C - +45°C)	
DESIGN STANDARDS		
Electrical safety	UL 60950-1-2 nd edition, EN 60950-1-2 nd edition	
EMC	ETSI EN 300 386 v1.3.2 ETSI EN 300 386 v1.5.1 EN 61000-6-1 / -2 / -3 / -4 FCC Part 15 Subpart 109 IEC 61326-3-1	
Mains Harmonics	EN 61000-3-2	
Environment	ETSI EN 300 019-2-1 /-2 /-3	

1) Maximum current w/LVLD: 50A position F1-F6, 100A position F7-F12

2) Maximum current w/LVLD: 50A on input A, 100A on input B