

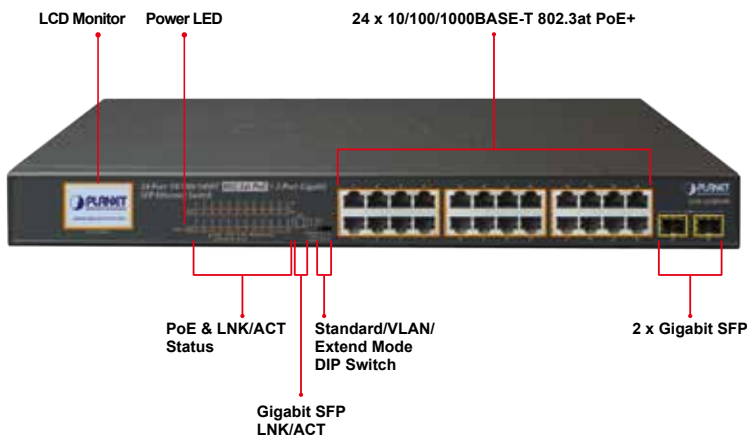
24-Port 10/100/1000T 802.3at PoE + 2-Port 1000X SFP Gigabit Ethernet Switch with LCD PoE Monitor (300W)



Just "Plug and Watch" for a Quick Solution

PLANET GSW-2620VHP is an ideal Plug and Watch Power over Ethernet solution which provides quick installation, real-time PoE work status monitoring and immediate troubleshooting through its unique LCD display to improve work efficiency and quality without any PC or software required.

The GSW-2620VHP is equipped with 24 10/100/1000BASE-T ports featuring 30-watt 802.3at Power over Ethernet Plus (PoE+) copper interfaces and 2 extra 1000BASE-X SFP slots with inner power system. With a total PoE power budget of up to 300 watts and non-blocking data switching performance, the GSW-2620VHP fulfills the demand of sufficient PoE power for HD IP surveillance. It offers a desktop-sized, reliable and visible power solution for small businesses and system integrators deploying Power over Ethernet networks.



Physical Port

- 24-port 10/100/1000BASE-T Gigabit Ethernet RJ45 copper
- 2 1000BASE-X mini-GBIC SFP interfaces

Power over Ethernet

- Complies with IEEE 802.3af/at Power over Ethernet end-span PSE
- Up to 24 ports of IEEE 802.3af/802.3at devices powered
- Supports PoE power up to 30.8 watts for each PoE port
- Each port supports 52V DC power to PoE powered device
- 300-watt PoE budget
- Auto detects powered device
- Circuit protection prevents power interference between ports
- Remote power feeding up to 100m in standard mode and 250m in extend mode

Switching

- Hardware based 10/100/1000Mbps auto-negotiation and auto MDI/MDI-X
- Flow control for full duplex operation and back pressure for half duplex operation
- IEEE 802.1Q VLAN transparency
- Hardware DIP switch for Standard, VLAN and Extend mode selection; the "Extend" mode features 30-watt PoE transmit distance of 250m at speed of 10Mbps and VLAN isolation
- Solid DIP switch to isolate ports to prevent broadcast storm and defend DHCP spoofing

Hardware

- 19-inch desktop size, 1U height, rack mountable
- LED indicators for system power, per port PoE ready and PoE activity, speed, Link/Act
- LCD monitor for system status and PoE usage status display
- 2 silent fan to provide stable and efficient power performance

Displaying PoE Loading, PoE Usage and System Status

The LCD monitor of the GSW-2620VHP clearly shows the PoE loading of each port, total PoE power usage and system status, such as overload, low voltage, over voltage and high temperature. With its brand-new LCD monitor, user is able to obtain detailed information about real-time PoE working condition of the GSW-2620VHP directly. Also the Power Budget Control function helps to prevent power budget overloading.

PoE Port Status

PoE Port Status	
P01:11.4W	P05:11.4W
P02:11.4W	P06:-----
P03: ULP	P07:21.4W
P04: OLP	P08: SCP
PB: 300W	TP:109W-8

Power Over-voltage Protection

```

WARNING!
-----
Main supply voltage
is high!
All ports are shut
down.
    
```

Power Low-voltage Protection

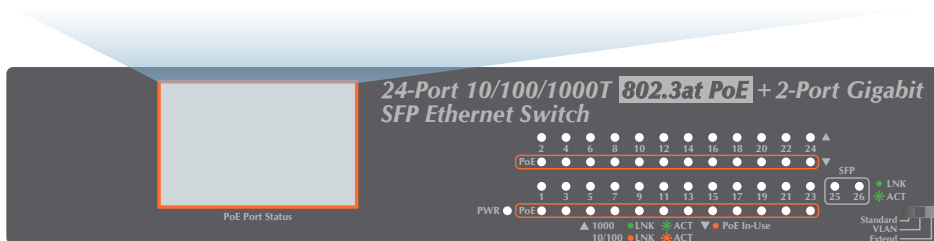
```

WARNING!
-----
Main supply voltage
is low!
All ports are shut
down.
    
```

Power Over Temperature Protection

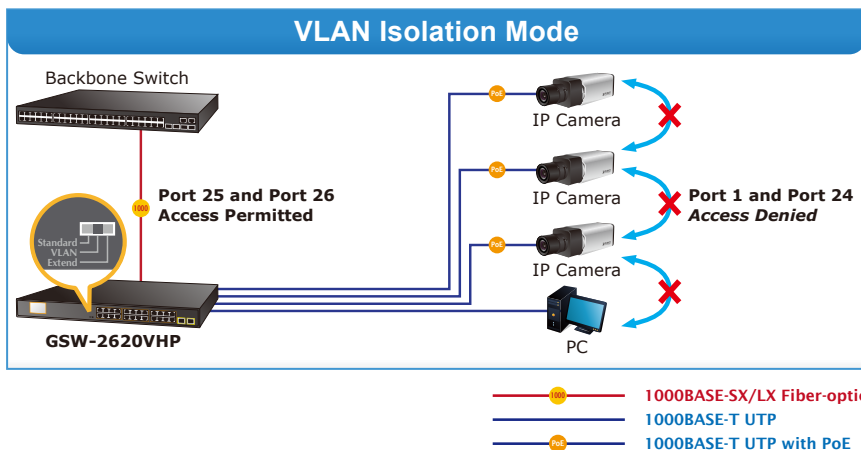
```

WARNING!
-----
The PSE device is too
hot!
All ports are shut
down.
    
```

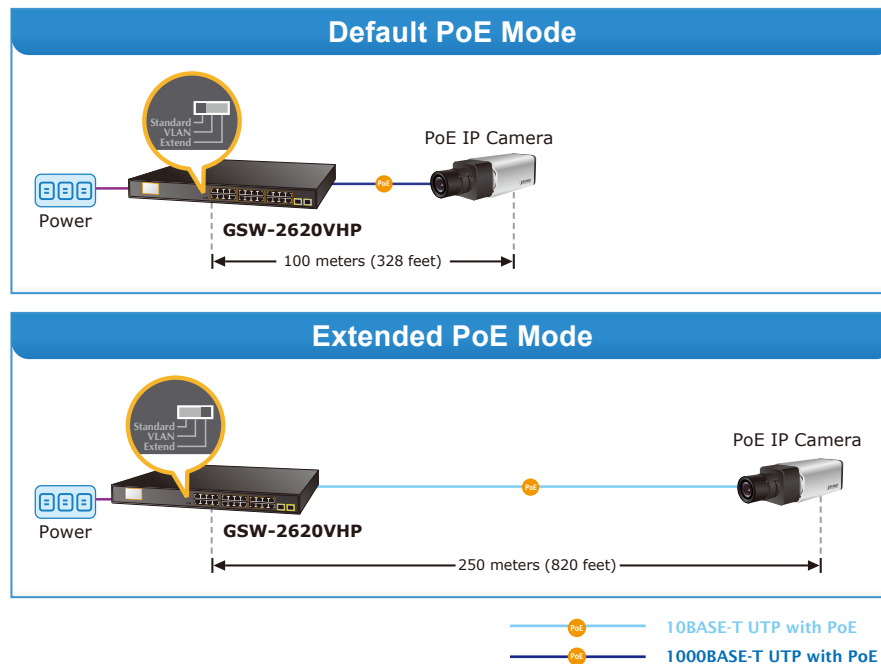


Standard, VLAN and Extend Operation Modes Offered

The built-in solid DIP switch provides Standard, VLAN and Extend operation modes. The GSW-2620VHP operates as a normal IEEE 802.at/af PoE Switch in the Standard operation mode. The VLAN operation mode features the port-based VLAN function that can help to prevent the IP camera's multicast or broadcast storm from influencing each other.



In the Extend operation mode, the GSW-2620VHP operates on a per-port basis at 10Mbps duplex operation but can support 30-watt PoE power output over a distance of up to 250 meters overcoming the 100m limit on Ethernet UTP cable. With this brand-new feature, the GSW-2620VHP provides an additional solution for 802.3at/af PoE distance extension, thus saving the cost of Ethernet cable installation. Its VLAN isolation function isolates ports so as to prevent broadcast storm and defend DHCP spoofing in the Extend operation mode.



Flexible Extension Solution

The two mini-GBIC slots built in the GSW-2620VHP are compatible with the 1000BASE-SX/LX SFP (Small Form-factor Pluggable) fiber transceiver, uplinked to the backbone switch and monitoring center in long distance. The distance can be extended from 550 meters (multi-mode fiber) to 10/20/30/40/50/60/70/120 kilometers (single-mode fiber or WDM fiber). They are well suited for applications within the enterprise data centers and distributions.

Guaranteed Protection for a Smooth Operation

The GSW-2620VHP protects against the ESD 4KV surge to improve product stability and also protects users' networks from devastating ESD attacks, making sure the flow of operation does not fluctuate.

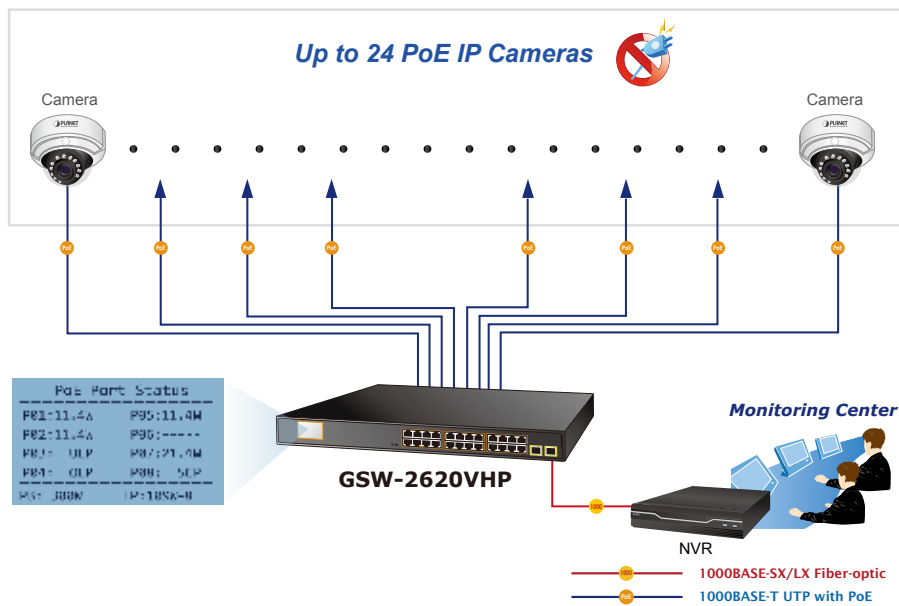
Easy Installation and Cable Connection

As data and power are transmitted over one cable, the GSW-2620VHP does not need a second cable and electrical outlets on the wall, ceiling or any unreachable place. Thus it helps to lower the installation costs and simplify the installation effort. All the RJ45 copper interfaces of the GSW-2620VHP support 10/100/1000Mbps auto-negotiation for optimal speed detection through RJ45 Category 6, 5 or 5e cable. It also supports standard auto-MDI/MDI-X that can detect the type of connection to any Ethernet device without requiring special straight-through or crossover cables.

Applications

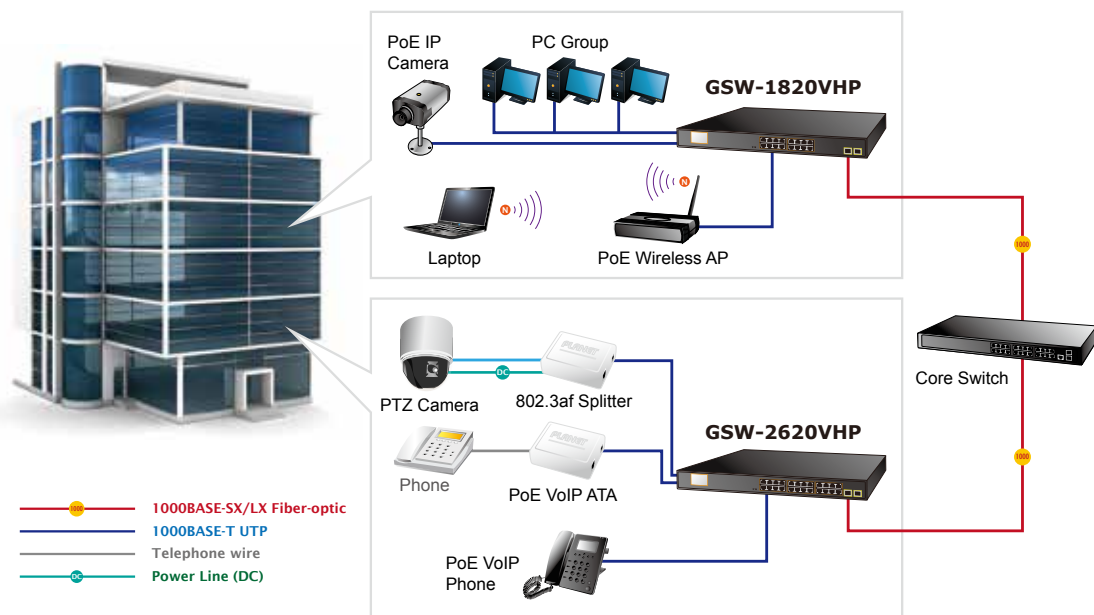
Perfectly-integrated Solution for PoE IP Camera and NVR System

With its 52Gbps high-performance switch architecture and 300-watt PoE power budget, the recorded video files from the 24 PoE IP cameras powered by the GSW-2620VHP are saved in the 24-channel NVR systems or surveillance software in the monitoring center for possible backup references.



Ideal PoE Switch for All Enterprises

Providing twenty-four 802.3at PoE+ in-line power interfaces, the GSW-2620VHP can easily build a power that centrally controls IP phone system, IP camera system and wireless AP group for enterprises. Cameras can be installed around the corner in the company or campus for surveillance demands. Without the need for power sockets, the GSW-2620VHP makes the installation of cameras easier and more efficient.



Specifications

Model	GSW-2620VHP
Hardware Specifications	
10/100/1000BASE-T MDI/MDIX Ports	24
1000BASE-X SFP Interfaces	2
PoE Injector Port	24 ports with 802.3at/af PoE injector function with Port-1 to Port-24
Switch Architecture	Store-and-Forward
Switch Fabric	52Gbps/non-blocking
Switch Throughput@64 bytes	38.7Mpps@64Bytes
MAC Address Table	8K entries, automatic source address learning and aging
Maximum Frame Size	9K bytes
Flow Control	IEEE 802.3x pause frame for full-duplex Back pressure for half-duplex
LED	System: Power (Green) 10/100/1000BASE-T RJ45 Interfaces: 10/100Mbps LNK/ACT (Orange) 1000Mbps LNK/ACT (Green) 1000BASE-X SFP Interfaces: 1000Mbps LNK/ACT (Green) PoE Interfaces: PoE-in-Use (Orange)
LCD Monitor	– PoE loading of each port – Total PoE power usage – Total PoE budget – System status, such as overload, low voltage, over voltage and high temperature
DIP Switch	Selectable operation mode – Standard – VLAN – Extend + VLAN
Dimensions (W x D x H)	233 x 440 x 44 mm (1U height)
Enclosure	Metal
Weight	3.4kg
Power Requirements	AC 100~240V, 50/60Hz, 5A max.
Power Consumption/Dissipation	Max. 330 watts/1132 BTU
Thermal Fan	2
Power over Ethernet	
PoE Standard	IEEE 802.3af Power over Ethernet/PSE IEEE 802.3at Power over Ethernet Plus/PSE
PoE Power Supply Type	End-span
PoE Power Output	Per port 52V DC, 600mA. max. 30 watts
Power Pin Assignment	1/2(+), 3/6(-)
PoE Power Budget	300 watts
Max. Number of Class 2 PDs	24
Max. Number of Class 3 PDs	23
Max. Number of Class 4 PDs	11
Standards Conformance	
Regulatory Compliance	FCC Part 15 Class A, CE
Standards Compliance	IEEE 802.3 10BASE-T IEEE 802.3u 100BASE-TX IEEE 802.3ab Gigabit 1000BASE-T IEEE 802.3z Gigabit SX/ LX IEEE 802.3x flow control and back pressure IEEE 802.3af Power over Ethernet IEEE 802.3at Power over Ethernet Plus
Standards Conformance	
Operating	Temperature: 0 ~ 50 degrees C Relative Humidity: 5 ~ 95% (non-condensing)
Storage	Temperature: -10 ~ 70 degrees C Relative Humidity: 5 ~ 95% (non-condensing)

Ordering Information

GSW-2620VHP	24-Port 10/100/1000T 802.3at PoE + 2-Port 1000X SFP Gigabit Ethernet Switch with LCD PoE Monitor
-------------	--

Related PoE Products

GSD-1002VHP	8-Port 10/100/1000T 802.3at PoE + 2-Port 10/100/1000T Desktop Switch with LCD PoE Monitor
GSW-1820VHP	16-Port 10/100/1000T 802.3at PoE + 2-Port 1000X SFP Gigabit Ethernet Switch with LCD PoE Monitor (300W)
FGSD-1022VHP	8-Port 10/100TX 802.3at PoE + 2-Port Gigabit TP/SFP combo Desktop Switch with LCD PoE Monitor (120 Watts)
FGSW-1822VHP	16-Port 10/100TX 802.3at PoE + 2-Port Gigabit TP/SFP Combo Ethernet Switch with LCD PoE Monitor (300W)
FGSW-2622VHP	24-Port 10/100TX 802.3at PoE + 2-Port Gigabit TP/SFP Combo Ethernet Switch with LCD PoE Monitor (300W)