

8-Port 10/100/1000T Gigabit Ethernet Switch



Optimal Solution for Energy Saving and Gigabit High Performance

PLANET Green Networking Switch-GSD-803 is an ideal solution in line with the energy-saving trend worldwide. The GSD-803 is an 8-port Gigabit Ethernet Switch bringing both benefits of energy saving and Gigabit wire speed performance. It is specially designed for home networking, SOHOs and enterprises.

Energy Saving

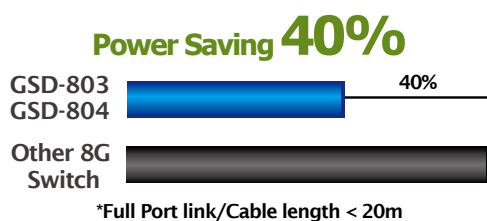
The GSD-803 incorporates two advanced Green Networking technologies and is able to provide power saving up to 40% less energy but maintains high performance efficiently.

(1) Hibernation Link Down power saving

The Hibernation Link Down power saving goes beyond IEEE specifications to automatically lower power for a given port when it is not linked. With the Hibernation Link Down power saving technology, the GSD-803 will automatically adjust power usage of the ports that are shut down or not connected to network device.

(2) Intelligent scales power based on cable length

Intelligent scales power, the other technology adopted, is an intelligent algorithm that actively determines the appropriate power level based on cable length. When the GSD-803 is connected with Ethernet cable shorter than 20m, a device can obtain maximum power saving because the GSD-803 would automatically detect the Ethernet cable length and diminish power usage. The connected device can substantially reduce the overall power consumption, which makes a significant contribution to energy saving.



**Save
26,280 Watts
yearly**

RJ-45 Interface

- 8 10/100/1000Mbps Gigabit Ethernet ports
- Complies with IEEE 802.3, 10Base-T, IEEE 802.3u 100Base-TX, IEEE 802.3ab 1000Base-T
- Supports auto MDI/MDI-X function

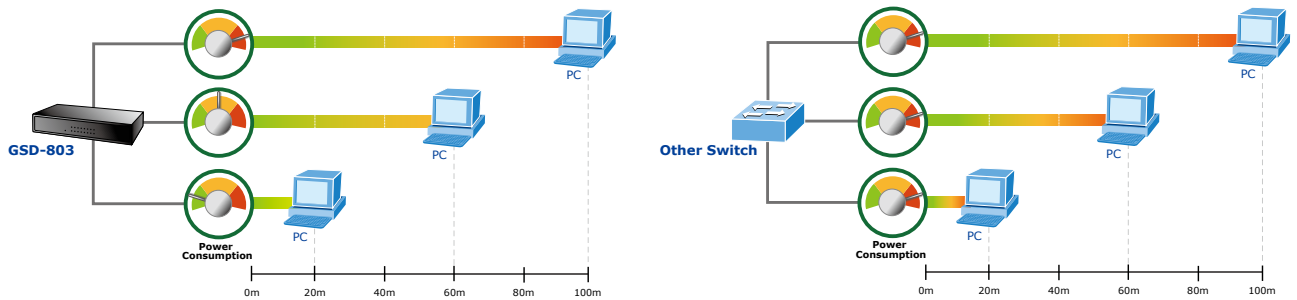
Switching

- Hardware based 10/100Mbps, half / full duplex and 1000Mbps full duplex mode, flow control and auto-negotiation
- Features Store-and-Forward mode with wire-speed filtering and forwarding rates
- IEEE 802.3x flow control for full duplex operation and back pressure for half duplex operation
- Integrated address look-up engine, supporting 8K absolute MAC addresses
- 9K Jumbo packet size
- Power saving ability for Green networking
- Automatic address learning and address aging
- Supports CSMA/CD protocol

Hardware

- Made of metal, desktop size and wall-mount design
- LED indicators for system power, per port 1000 & Link / Act
- 5V DC, 1A external power adapter
- One Power on/off button for energy saving
- FCC, CE Class B compliant

Intelligent Power Savings

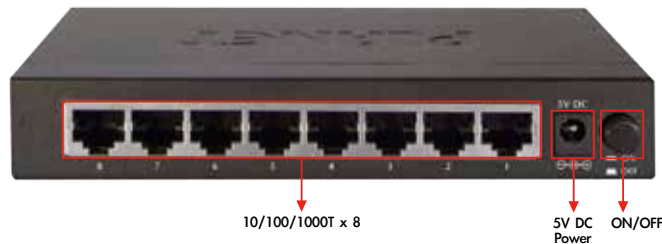


Leading Home, SOHO and Workgroup Users to High-speed Networking Generation

The GSD-803 is designed with modern metal compact housing and easy for deployment of high speed Gigabit networking in home or SOHO applications. Providing 16Gbps internal switching fabric, the GSD-803 can handle an extremely large amount of data in a secure topology linking to a backbone or high capacity servers. The GSD-803 provides 8K MAC address table, and wire-speed packet transfer performance without risk of packet loss. The high data throughput of the device makes it ideal for most Gigabit environments, especially for the network to be upgraded to a Gigabit environment.

Plug & Play

All RJ-45 copper interfaces of the GSD-803 support 10/100/1000Mbps auto-negotiation for optimal speed detection through RJ-45 Category 5, 5e or 6 cables. They support standard auto-MDI/MDI-X feature which can detect the type of connection to any Ethernet device without requiring special straight or crossover cables.



Product Application

Backbone Switch

The GSD-803 can directly connect to department Switches or backbone servers. With up to 16 Gigabit per second of non-blocking switch fabric, the GSD-803 can be used to build a Gigabit high-bandwidth switched network quickly and easily.

Home/SOHO High-speed Network Center

The GSD-803 Gigabit Ethernet Switch provides the best solution of high-speed Internet environment demanded by SOHO / Home and Power users. The GSD-803 accelerates the speed of data transmission between devices without worrying about the delay of high quality multimedia display. In aspect of home use, the GSD-803 integrates the speeds of 10, 100 and 1000Mbps which can fulfill your demands of transmitting high quality multimedia, games and other high-speed Internet applications.



Product Specifications

Product	GSD-803
Hardware Specifications	
Hardware Version	6
10/100/1000Base-T Ports	8 auto MDI/MDIX ports
LED Display	One for Power, Two for 1000 & Link / Act per port
Enclosure	Metal
Dimensions (W x D x H)	155 x 86 x 26mm
Weight (g)	348g
Power Requirements (External Power Adapter)	5V DC, 1A
Power Consumption (100M Full Operation)	4.9 watts / 16 BTU
Switch Specifications	
Switch Processing Scheme	Store-and-Forward
Address Table	8K
Flow Control	Back pressure half duplex IEEE 802.3x pause frame full duplex
Switch Fabric	16Gbps
Throughput (packet per second)	11.9Mpps
Jumbo Packet Size	9K
Standards Conformance	
Standards Compliance	IEEE 802.3 (Ethernet) IEEE 802.3u (Fast Ethernet) IEEE 802.3ab (Gigabit Ethernet) IEEE 802.3x (Full-duplex Flow Control) IEEE 802.3az Energy Efficient Ethernet (EEE)
Regulation Compliance	FCC Part 15 Class B, CE
Environments	
Temperature	Operating: 0~50 degrees C Storage: -10~70 degrees C
Humidity	Operating: 5~95% Storage: 5~95% (non-condensing)

Ordering Information

GSD-803	8-Port 10/100/1000T Gigabit Ethernet Switch (Metal case)
---------	--

Related Products

GSD-503	5-Port 10/100/1000T Gigabit Ethernet Switch (Metal case)
GSD-504	5-Port 10/100/1000T Gigabit Ethernet Switch (Plastic case)
GSD-804	8-Port 10/100/1000T Gigabit Ethernet Switch (Plastic case)