

42U Communication Rack

Size: W-600- D-800, H-2055 mm.

The cabinet can be supplied in different sizes (depth & height) according to customer's demand
ADG-SNB-6842-42U

Description-

The Cabinet specially designed for network servers in high density in IT environment. The cabinet made of cold rolled steel.

Application-

Store and secure servers, data storage, network equipment in the data center, computer room or network environment.

Specifications -

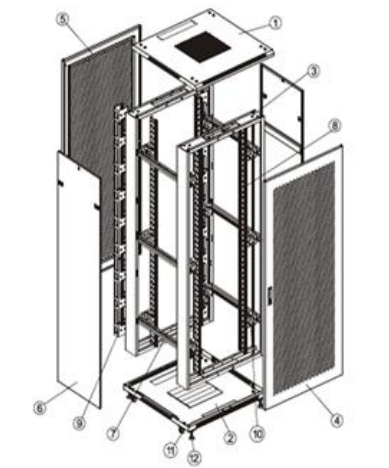
- Adjustment Mounting Rails
- The cabinet made of steel
- 19" suitable
- Removable side panel and front door
- Maximum static load 800 kg
- IP20

Contain-

- Top cover
- Bottom panel
- Frame
- Front tempered glass door
- Vented rear door
- Side panels
- Horizontal I beam
- Vertical rail
- 4 Casters (2 with brake)
- Leveling feed
- 4 fans
- 1 vertical cable management

Optional Accessories-

- Fixed shelf
- Sliding shelf
- Cable management
- Cooling solution
- Airflow Management
- PDU
- Patch panels



Standards-

- ANSI/EIA RS-310-D. IEC297-2 . DIN1494, PART 1 . DIN41494, PART 7 .GB/T3047:2-92 STANDARD
- IP20