



## TRADE QUALITY VACUUM

# POWER VACUUM



**AUTO ON/OFF SWITCH**  
with Power Sander or other power tool



**FLOOR ACCESSORIES**  
included in every package



**STAINLESS STEEL DRUM**  
for durability and weight reduction

Code	DE-30L
Barcode	9315778997720
Description	Wallpro Power Vacuum
Size	375x615mm
Weight	10.0kg

Wallpro's Power Vacuum is an economical but robust heavy duty dust extractor designed for use with the Wallpro Power Sander.

- Powerful 1400 watt motor
- Long lasting stainless steel drum
- Large 30 litre capacity
- Includes reusable cloth bag
- Operates as a wet/dry all purpose vacuum
- Includes accessories and floor tools kit
- Automatically switches on and shuts off when connected to power sanders
- Full range of spare parts available from your Wallpro distributor



Wet/Dry Vacuum



30 Litre Capacity

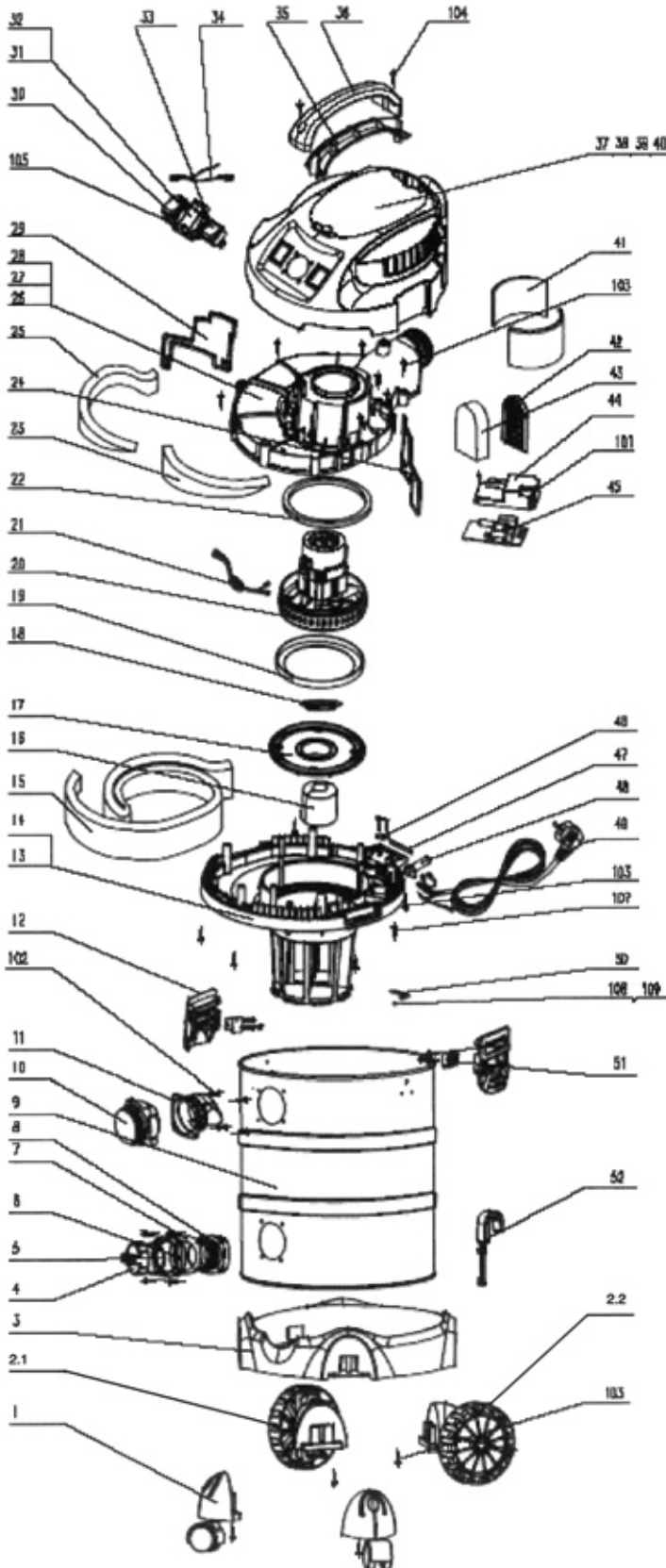


Powerful 1400W Motor

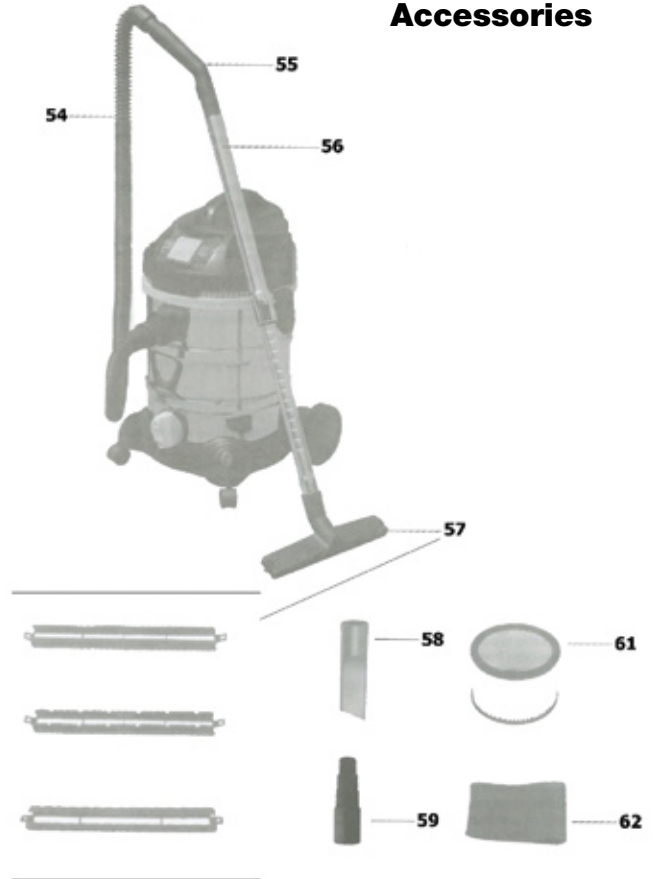


Auto On/Off Switch with Power Sander

## Wallpro Power Vacuum DE-30L Spare Parts Diagram



### Accessories



### Carbon Brush DE-30L-53



### Cloth Dust Bag DE-30L-60





**Wallpro**<sup>TM</sup>  
TRADE TOOLS

# POWER VACUUM



# OPERATING INSTRUCTIONS

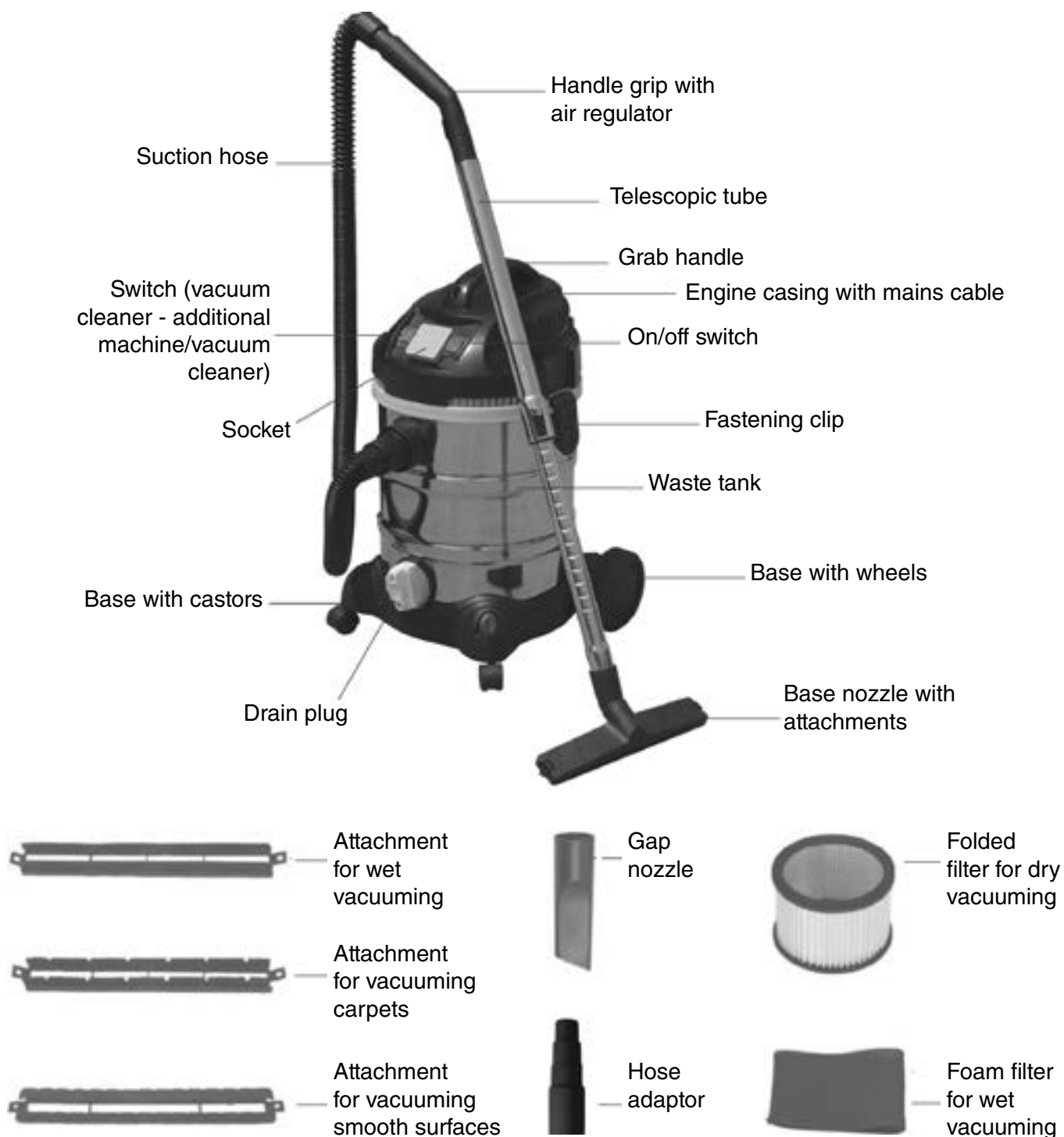
■ MODEL DE-30L



## Specifications

Model No	DE-30L
Motor	1400 watt
Waste Tank Capacity	30 litres
Cable Length	5 metres

## View of the Major Components & Accessories



## Safety Instructions

**WARNING! When using this appliance, the following safety instructions must be observed to reduce the risk of personal injury and property damage. Please read and observe the following instructions before use:**

1. If not used with care, water and electricity can produce hazardous situations. It is recommended that the electricity supply includes a residual current device.
2. People and animals must not be vacuumed using the machine.
3. Do not vacuum any hot, incandescent, flammable, explosive materials, or those which endanger health. This includes hot ashes, petrol, solvents, acids or caustic solutions.
4. Nozzles and suction pipes must not reach head level whilst in use. Personal injury could occur.
5. Ensure that the machine is correctly assembled and the filters are in the correct position.
6. Do not use without the filter. This could damage the machine.
7. Ensure that the mains cable is not damaged by being pulled over sharp edges, by jamming, or by pulling on the cable.
8. Do not operate damaged machine or a machine with a damaged mains cable.
9. Do not use the cable to pull the plug out of the socket. Protect the cable from heat, oil and sharp edges. Check the plug and cable regularly, if damaged they should be repaired by an authorised electrical specialist.
10. Never leave a machine which is ready for operation unattended at the workplace. Switch the machine off and disconnect the mains plug:
  - when the machine is not in use;
  - before the machine is opened up;
  - for all maintenance and cleaning work;
  - if the connecting cable is damaged or tangled.
11. Do not touch plug or socket with wet hands. Switch off before unplugging the cable.
12. Always carry appliance by handle, never by its cable.
13. Avoid using extension cables, if you must use one, use one as short as practical. Keep plug and socket connection dry. Always fully extend the extension lead before use.
14. Do not use in areas exposed to fire and explosion hazards.
15. Under no circumstances should the appliance be used under water.
16. Suitable clothing and footwear must be worn. Never work barefoot or in sandals when wet vacuuming.
17. Never use this appliance with flammable, poisonous, corrosive or otherwise hazardous liquids.
18. Do not cover the motor unit.
19. This unit is not intended for use by young children or infirm persons without supervision. Do not allow children to play with the appliance.
20. Observe the instructions for cleaning and maintenance of the machine. Store the appliance in a dry place and out of reach of children.
21. Make sure that the mains voltage corresponds with the information on the rating label.
22. Do not use power tools with a rating greater than 1000 Watts on the Power Outlet.
23. FOR ADDITIONAL PROTECTION: It is recommended that this vac be used in conjunction with a residual current device (RCD) with a rated residual current of 30mA or less.



## Important Notes

**Please read before using this appliance.**

- **This appliance is covered by a 1 year warranty. This does not exclude your statutory rights. Product modifications or abuse by consumers is not covered by warranty.**
- **The machine is intended for wet and dry vacuuming, for example, house, workroom, car or garage. Vacuuming of flammable or explosive materials or those which endanger health is prohibited. The manufacturer will not be held responsible for injuries resulting from use which does not comply with the directions, or from incorrect use.**

## Overview

The wet/dry vacuum cleaner is equipped with a robust plastic tank for waste collection. The four smooth-running castors make the appliance easy to manoeuvre. The suction flow is switched off by a float during wet vacuuming once the water tank is full. In addition, the machine has a blower function and a socket for connection of a further electrical appliance.

This machine can be used to collect dust directly from power tools by connecting tool exhaust to vacuum hose, and connecting tool power plug to power outlet socket. Refer "SWITCHING ON/OFF" section.

The components of the machine are listed on page 2 of this manual under "VIEW OF THE MAJOR COMPONENTS & ACCESSORIES".

## Assembly

Unpack the machine and check that it is complete (see overview). Dispose of the packaging properly.

1. Put on the bases and fix them with the screws provided.
2. Insert the filter:
  - Folded filter for dry vacuuming (fig.2)
  - Foam filter for wet vacuuming (fig.3)



### **WARNING:**

Never vacuum without a filter.

3. Place engine housing on the waste tank and fasten with the clips.
4. Connect accessories.

## Operation

### INSTALLING THE GREY CLOTH BAG

Run bag around the inside edge of the vacuum bin.



Place plastic square manifold over top intake and push to make secure.

Empty bag by removing bottom of Vacuum.

**⚠ WARNING!: Either the grey cloth bag or disposable paper bag must be used in conjunction with the paper cartridge filter to maintain product warranty.**

### SWITCHING ON/OFF

Connect the mains plug.


To switch on the vacuum cleaner press  + 

To switch on electrical appliance AND vacuum cleaner press  + 

In this mode switching on the electrical appliance automatically switches on the vacuum cleaner. Once the electrical appliance has been switched off, the vacuum cleaner switches off following a time lapse.

**⚠ IMPORTANT! When plug is inserted into power outlet socket do not use machine for wet vacuuming or subject machine to water ingress.**

Only connect electrical appliances with a maximum power rating of 1000W.

To switch off the vacuum cleaner press 

### DRY VACUUMING

To dry vacuum, insert the folded filter on to the filter cartridge.

Note that more frequent cleaning of the filter is necessary when vacuuming very fine dust.

### WET VACUUMING

For wet vacuuming use the foam filter. Only insert a dry filter when dry vacuuming.

If the waste tank is full, a float closes the suction opening, and the vacuum operation is interrupted. Switch off the machine and empty the waste tank by opening the drain plug.

If foam or liquid exits, switch off the machine immediately.

### CLEANING, MAINTENANCE AND STORAGE

Pull out the mains plug.

After use, empty the waste tank. Opening the drain plug will allow vacuumed liquid to drain out. Clean the waste tank with a damp cloth. Wash the foam filter with lukewarm water and soap, and allow to dry.

Beat the dust out of the folded filter and clean it with a paint brush or hand brush. To avoid damaging the machine, do not use any abrasive cleaning products or solvents and do not spray with water.

Wind the cable around the cable mount on the reverse side of the machine when storing it.

Store the appliance in a dry place and out of reach of children.

Always check appliance before use for any obvious faults such as a defective mains cable, and have these repaired or replaced by an authorized service agent.



# Warranty

Wallboard Tool Co Pty Ltd warrants that this product will be free from any defect in materials or workmanship for twelve (12) months from your Purchase Date (noted on your invoice or receipt).

At its discretion, Wallboard Tool Co Pty Ltd will either repair or replace your product, if it is found on inspection by Wallboard Tool Co Pty Ltd or a registered and approved Wallpro Service Agent to have any such defect.

## Warranty Claim Procedure

To make a claim under this Warranty, you must:

- First contact the Wallboard Tool Co Pty Ltd distributor where you purchased the product
- Return the product to the distributor accompanied by the proof of purchase (invoice or receipt)

You will be responsible for the delivery to and collection of the product from the distributor.

## Warranty Application

This Warranty applies only:

1. To a product sold to you by Wallboard Tool Co Pty Ltd or by a Wallboard Tool Co Pty Ltd distributor
2. If you use the product for your private or business purposes

## Warranty Exclusions

This Warranty will not apply if any of the following occurs during the relevant warranty period:

1. The product is serviced or repaired by anyone other than by a registered and approved Wallpro service agent
2. You use a Product contrary to the technical or operating environment guidelines recommended in its user guide or manual;
3. Any wear parts included in your product, (for example: including but without limitation: Velcro Foam Adaptors, Bearings, Bit Tips, Carbon Brushes, etc), reaches the end of its service life;
4. A product's malfunction or failure to perform to Wallboard Tool Co Pty Ltd specifications results from:
  1. deliberate or accidental damage; or
  2. neglect or modification; or
  3. incorrect voltage or a power surge; or
  4. use of non-genuine replacement parts or accessories.

## Non-genuine Items

If you use non-genuine replacement parts in the product, you may damage the product and may invalidate this warranty.

Our goods come with guarantees that cannot be excluded under the Australian Consumer Law. You are entitled to a replacement or refund for a major failure and for compensation for any other reasonably foreseeable loss or damage. You are also entitled to have the goods repaired or replaced if the goods fail to be of acceptable quality and the failure does not amount to a major failure.

## Details of the company giving this warranty:

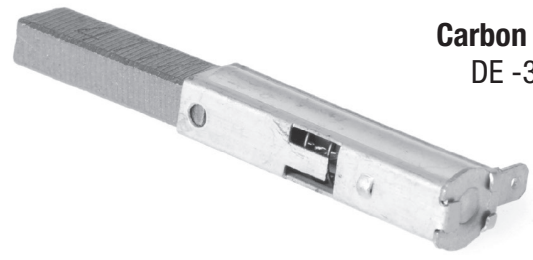
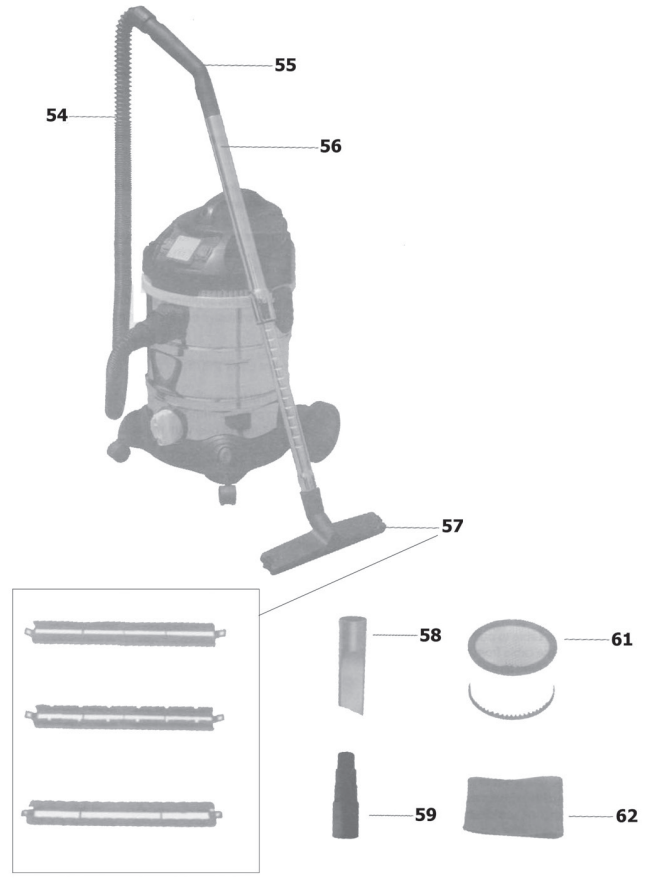
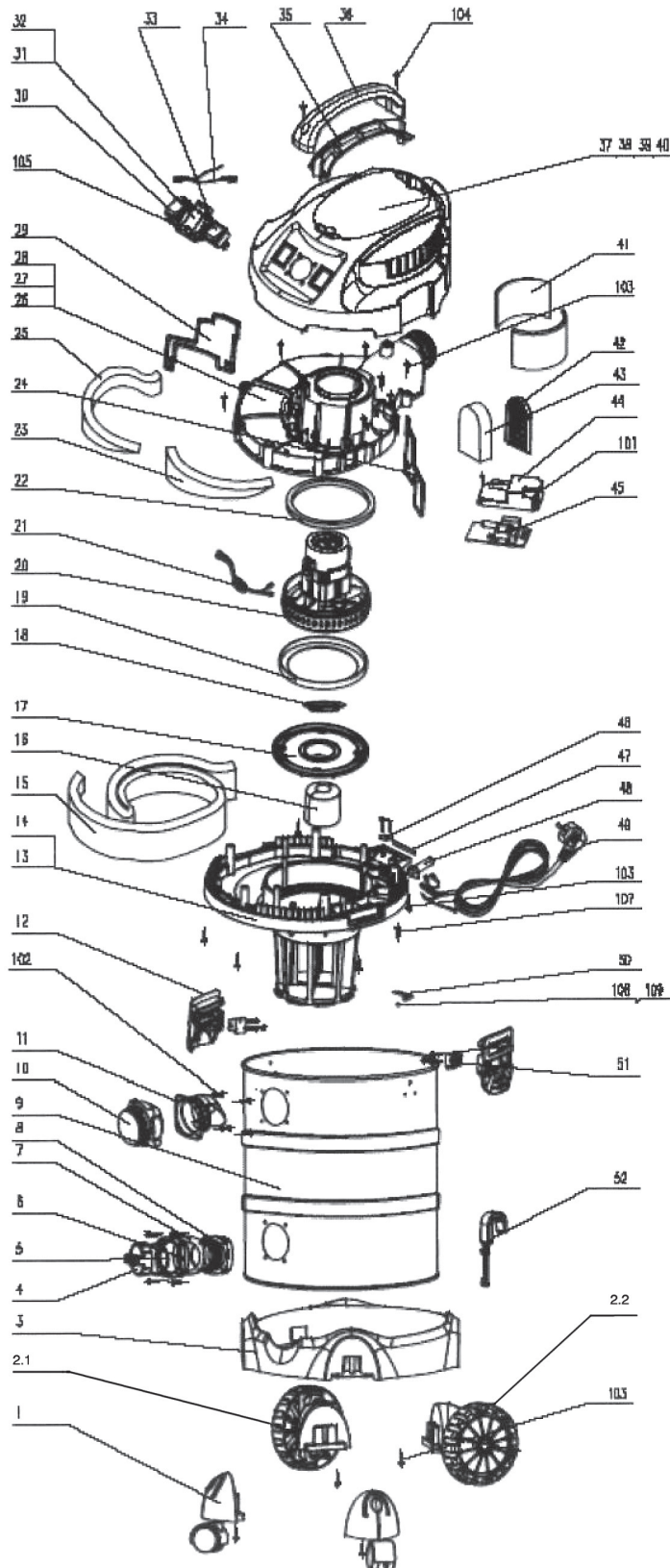
Wallboard Tool Co Pty Ltd  
30 Leda Drive, West Burleigh, Qld 4220, Australia  
Phone: +61 7 5535 7655  
Email: info@wbtco.com.au

The Wallboard Tools and Wallpro names as well as the Wallboard Tools and Wallpro Trade Tools logos are registered Trade Marks of Wallboard Tool Co Pty Ltd

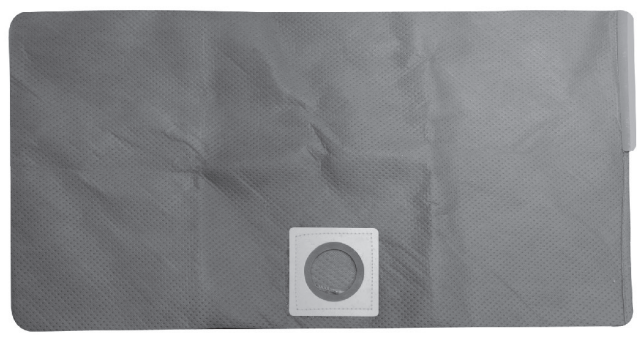


**CUSTOMER SERVICE**  
**1300 653 177**

Accessories



**Carbon Brush**  
DE -30L-53



**Cloth Dust Bag**  
DE -30L-60