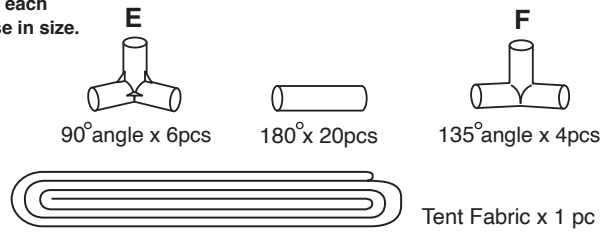


#SDMDBK FRAME SENSORY DEN ASSEMBLY INSTRUCTIONS

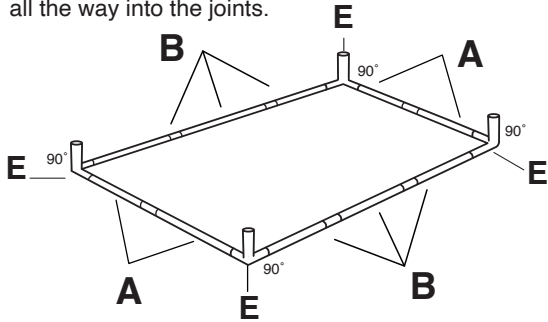
Tent Assembly Pieces

*Lay out the pieces on the floor before beginning to assemble. Put all pieces of each size together. Be careful not to mix up the poles "A" & "C" as they are very close in size.

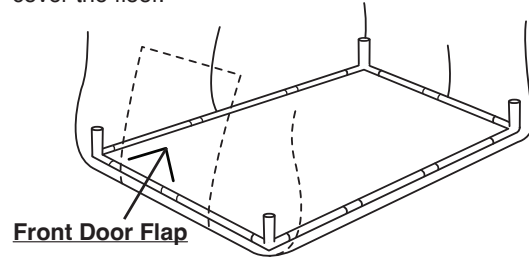
18.5"	A	A x 4pcs
14.5"	B	B x 15pcs
17.75"	C	C x 8pcs
13"	D	D x 8pcs



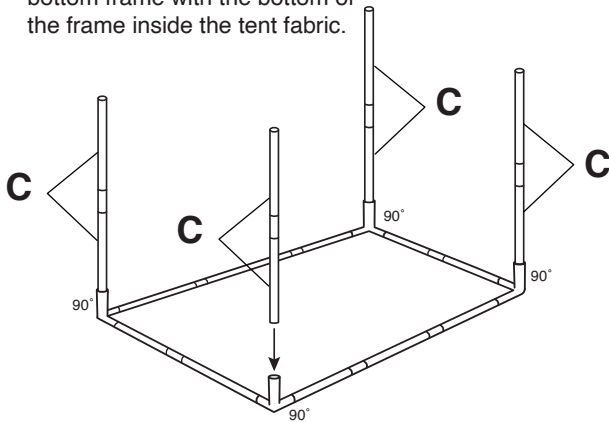
Step 1 - Assemble bottom frame using 90° angles. Be sure poles are fully inserted and pushed all the way into the joints.



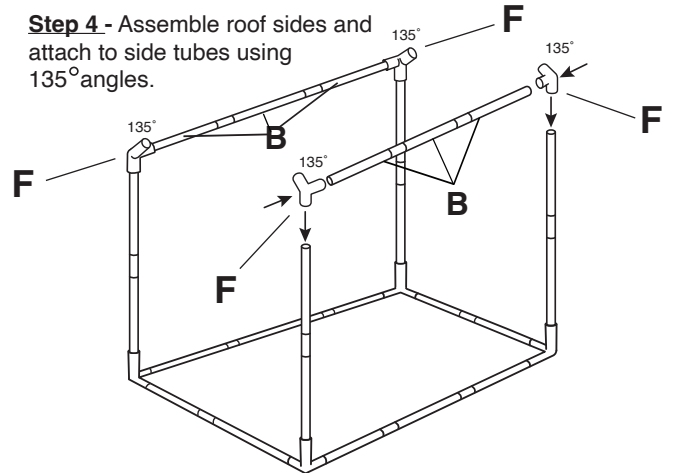
Step 2 - Place assembled bottom frame into the tent. Build frame inside fabric tent. Make sure that the door flap is on the narrow side of the frame. The material should cover the floor.



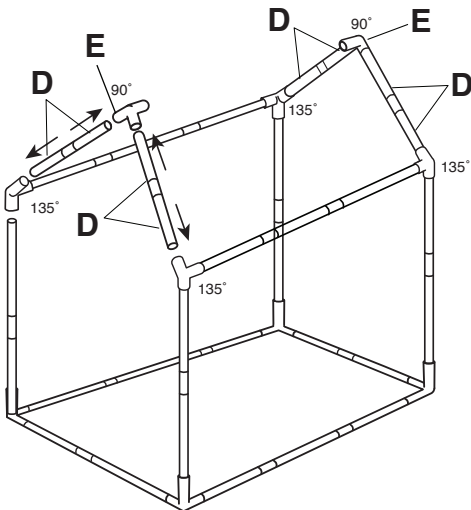
Step 3 - Assemble sides and insert into bottom frame with the bottom of the frame inside the tent fabric.



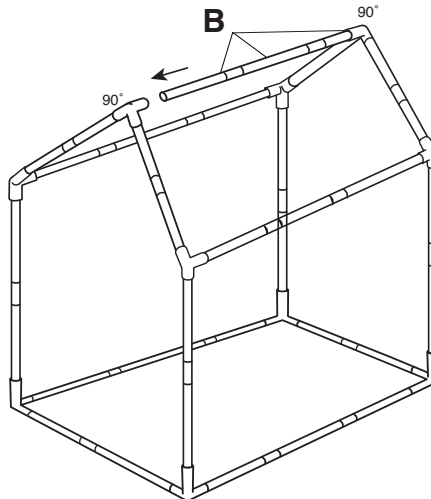
Step 4 - Assemble roof sides and attach to side tubes using 135° angles.



Step 5 - Assemble roof pitches and attach to roof sides using the 135° angles. Attach angles at top with 90° angles.



Step 6 - Assemble roof ridge and attach to top of roof pitches using the 90° angles.



Step 7 - Use internal ties to attach tent to frame.

