

# Access Display Group, Inc.

TEL: 800-289-1539 FAX: 877-842-5126

E-MAIL: [customerservice@accessdisplaygroup.com](mailto:customerservice@accessdisplaygroup.com)

## LED Lighting Specs

### Top Lit Only - Portrait Orientation

Size	Light Brightness	Lights- Total Watts Used	Plug In (Wall) Adapter Power Supply Used	Driver (Hardwire) Adapter Power Supply Used
16" x 20"	Option A	11 Watts	24 Watt	20 Watt
18" x 24"	Option A	12 Watts	24 Watt	20 Watt
20" x 24"	Option A	12 Watts	24 Watt	20 Watt
20" x 30"	Option A	12 Watts	24 Watt	20 Watt
22" x 28"	Option A	13 Watts	24 Watt	20 Watt
24" x 24"	Option A	14 Watts	24 Watt	20 Watt
24" x 36"	Option B	14 Watts	24 Watt	20 Watt
24" x 48"	Option B	14 Watts	24 Watt	20 Watt
24" x 60"	Option C	14 Watts	24 Watt	20 Watt
24" x 72"	Option C	14 Watts	24 Watt	20 Watt
24" x 84"	Option C	14 Watts	24 Watt	20 Watt
24" x 96" *	Option C	14 Watts	24 Watt	20 Watt
30" x 30"	Option A	16 Watts	24 Watt	20 Watt
30" x 40"	Option B	16 Watts	24 Watt	20 Watt
36" x 36"	Option B	18 Watts	24 Watt	25 Watt
36" x 48"	Option B	18 Watts	24 Watt	25 Watt
36" x 60"	Option C	18 Watts	24 Watt	25 Watt
36" x 72"	Option C	18 Watts	24 Watt	25 Watt
36" x 84"	Option C	18 Watts	24 Watt	25 Watt
36" x 96" *	Option C	18 Watts	24 Watt	25 Watt
40" x 60"	Option C	20 Watts	24 Watt	25 Watt
48" x 48" *	Option B	23 Watts	36 Watt	35 Watt
48" x 60" *	Option C	23 Watts	36 Watt	35 Watt
48" x 72" *	Option C	23 Watts	36 Watt	35 Watt
48" x 84" *	Option C	23 Watts	36 Watt	35 Watt
48" x 96" *	Option C	23 Watts	36 Watt	35 Watt

#### NOTES

1. Size Column - All sizes with \* are overall box dimensions. All other sizes are interior box dimensions.
2. On / Off Switch is available for all of these displays.
3. Dimmer Switch is available for all of these displays. Dimmer Switch can be used as an on / off switch as well.

# Access Display Group, Inc.

TEL: 800-289-1539 FAX: 877-842-5126

E-MAIL: [customerservice@accessdisplaygroup.com](mailto:customerservice@accessdisplaygroup.com)

## LED Lighting Specs

### Top Lit Only - Landscape Orientation

Size	Light Brightness	Lights- Total Watts Used	Plug In (Wall) Adapter Power Supply Used	Driver (Hardwire) Adapter Power Supply Used	Optional Dimmer Switch	Optional On / Off Switch
16" x 20"	Option A	12 Watts	24 Watt	20 Watt	x	x
18" x 24"	Option A	14 Watts	24 Watt	20 Watt	x	x
20" x 24"	Option A	14 Watts	24 Watt	20 Watt	x	x
20" x 30"	Option A	16 Watts	24 Watt	20 Watt	x	x
22" x 28"	Option A	15 Watts	24 Watt	20 Watt	x	x
24" x 24"	Option A	14 Watts	24 Watt	20 Watt	x	x
24" x 36"	Option A	18 Watts	24 Watt	25 Watt	x	x
24" x 48"	Option A	23 Watts	36 Watt	35 Watt	x	x
24" x 60"	Option A	27 Watts	36 Watt	35 Watt	x	
24" x 72"	Option A	31 Watts	60 Watt	60 Watt	x	
24" x 84"	Option A	36 Watts	60 Watt	60 Watt	x	
24" x 96" *	Option A	40 Watts	60 Watt	60 Watt		
30" x 30"	Option A	16 Watts	24 Watt	20 Watt	x	x
30" x 40"	Option A	20 Watts	24 Watt	25 Watt	x	x
36" x 36"	Option B	18 Watts	24 Watt	25 Watt	x	x
36" x 48"	Option B	23 Watts	36 Watt	35 Watt	x	x
36" x 60"	Option B	27 Watts	36 Watt	35 Watt	x	
36" x 72"	Option B	31 Watts	60 Watt	60 Watt	x	
36" x 84"	Option B	36 Watts	60 Watt	60 Watt	x	
36" x 96" *	Option B	40 Watts	60 Watt	60 Watt		
40" x 60"	Option B	27 Watts	36 Watt	35 Watt	x	
48" x 48" *	Option B	23 Watts	36 Watt	35 Watt	x	x
48" x 60" *	Option B	27 Watts	36 Watt	35 Watt	x	
48" x 72" *	Option B	31 Watts	60 Watt	60 Watt	x	
48" x 84" *	Option B	36 Watts	60 Watt	60 Watt	x	
48" x 96" *	Option B	40 Watts	60 Watt	60 Watt		

#### NOTES

1. Size Column - All sizes with \* are overall box dimensions. All other sizes are interior box dimensions.
2. On / Off Switch is available for displays where "x" is indicated.
3. Dimmer Switch is available for displays where "x" is indicated.

# Access Display Group, Inc.

TEL: 800-289-1539 FAX: 877-842-5126

E-MAIL: [customerservice@accessdisplaygroup.com](mailto:customerservice@accessdisplaygroup.com)

## LED Lighting Specs

### Complete Interior Box - Lit

Size	Light Brightness	Lights- Total Watts Used	Plug In (Wall) Adapter Power Supply Used	Driver (Hardwire) Adapter Power Supply Used	Optional Dimmer Switch	Optional On / Off Switch
16" x 20"	Option A	14 Watts	24 Watt	20 Watt	x	x
18" x 24"	Option A	15 Watts	24 Watt	20 Watt	x	x
20" x 24"	Option A	16 Watts	24 Watt	20 Watt	x	x
20" x 30"	Option A	17 Watts	24 Watt	20 Watt	x	x
22" x 28"	Option A	17 Watts	24 Watt	20 Watt	x	x
24" x 24"	Option A	17 Watts	24 Watt	20 Watt	x	x
24" x 36"	Option A	19 Watts	24 Watt	25 Watt	x	x
24" x 48"	Option A	22 Watts	36 Watt	35 Watt	x	x
24" x 60"	Option A	25 Watts	36 Watt	35 Watt	x	
24" x 72"	Option A	28 Watts	36 Watt	35 Watt	x	
24" x 84"	Option A	31 Watts	60 Watt	60 Watt	x	
24" x 96" *	Option A	34 Watts	60 Watt	60 Watt	x	
30" x 30"	Option A	19 Watts	25 Watt	25 Watt	x	x
30" x 40"	Option A	22 Watts	36 Watt	35 Watt	x	x
36" x 36"	Option A	22 Watts	36 Watt	35 Watt	x	x
36" x 48"	Option A	25 Watts	36 Watt	35 Watt	x	
36" x 60"	Option A	28 Watts	36 Watt	35 Watt	x	
36" x 72"	Option A	31 Watts	60 Watt	60 Watt	x	
36" x 84"	Option A	34 Watts	60 Watt	60 Watt	x	
36" x 96" *	Option A	37 Watts	60 Watt	60 Watt		
40" x 60"	Option A	29 Watts	36 Watt	35 Watt	x	
48" x 48" *	Option A	28 Watts	36 Watt	35 Watt	x	
48" x 60" *	Option A	31 Watts	60 Watt	60 Watt	x	
48" x 72" *	Option A	34 Watts	60 Watt	60 Watt	x	
48" x 84" *	Option A	37 Watts	60 Watt	60 Watt		
48" x 96" *	Option A	40 Watts	60 Watt	60 Watt		

#### NOTES

1. Size Column - All sizes with \* are overall box dimensions. All other sizes are interior box dimensions.
2. On / Off Switch is available for displays where "x" is indicated.
3. Dimmer Switch is available for displays where "x" is indicated.

# Access Display Group, Inc.

TEL: 800-289-1539 FAX: 877-842-5126

E-MAIL: [customerservice@accessdisplaygroup.com](mailto:customerservice@accessdisplaygroup.com)

# LED Lighting Specs

## Lighting Information

	Option A	Option B	Option C
Input Voltage	12 V DC	12 V DC	12 V DC
Energy Consumption per foot	1.44 W / 120 mA	2.9 W / 242 mA	4.4 W / 363 mA
Max. Length on one run	16.4 Feet	16.4 Feet	16.4 Feet
Chip Spacing	.65 inches (between centers)	.3 inches (between centers)	.65 inches (between centers)
Cutttable	Every 3 Chips / 2 Inches	Every 3 Chips / 1 Inch	Every 3 Chips / 2 Inches
Chip Type	3528 SMD	3528 SMD	5050 SMD
Ambient Temperature Range	-68 ° ~ +176 ° F / -20 ° ~ +80 ° C	-68 ° ~ +176 ° F / -20 ° ~ +80 ° C	-68 ° ~ +176 ° F / -20 ° ~ +80 ° C
Fixture Surface Temperature	-68 ° ~ +104 ° F / 20 ° ~ +40 ° C	75 ° F / 25 ° C	-68 ° ~ +104 ° F / 20 ° ~ +40 ° C
Width	0.3 Inches	0.3 Inches	0.4 Inches
Height	0.1 Inches	0.1 Inches	0.1 Inches
UV / IR Radiation	None	None	None
LifeSpan	50,000 Hours	50,000 Hours	50,000 Hours
Color	Cool White	Cool White	Cool White
Color Temperature	5000K	5000K	5000K
Lumens Per Foot	115	240	360
IP Rating	40	40	40
Beam Angle	120°	120°	120°
CRI	80	80	80
Chips Per Foot	18	36	18



Spool of LED Lights



# Access Display Group, Inc.

TEL: 800-289-1539 FAX: 877-842-5126

E-MAIL: [customerservice@accessdisplaygroup.com](mailto:customerservice@accessdisplaygroup.com)

# LED Lighting Specs

## Power Supply Options

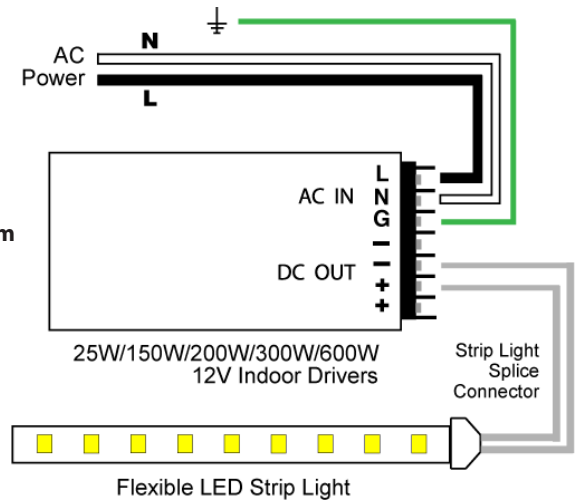
### Drivers

	20W	25W	35W	60 W
Dimensions	1.2" Wide x 5.1" Long x 1" High	2.1" Wide x 3.1" Long x 1.2" High	1.5" Wide x 5.8" Long x 1.2" High	1.1" Wide x 6.4" Long x 1.7" High
IP Rating	67		67	67
Input	100 - 240V AC / 0.55A	100 - 240V AC / 0.7A	100 - 240V AC / 1.1A	100 - 240V AC / 1.2A
Output	12V DC / 1.67A	12V DC / 2.1A	12V DC / 3A	12V DC / 5A
Frequency	50 / 60 Hz	50 / 60 Hz	50 / 60 Hz	50 / 60 Hz
Weight	6 oz	.42 LBS	13 oz	1.4 LBS



**Driver - Used For Hardwiring. An electrician will have to install this for you**

**Hardwiring Diagram**



### Plug In (Wall) Adapters

	24W	36W	60W
Weight	8 oz	9 oz	10 oz
Dimensions	1.77" Wide x 3.8" Long x 1.4" High	1.77" Wide x 3.8" Long x 1.4" High	2" Wide x 4.68" Long x 1.26" High
Cable Length	45 inches	45 inches	45 inches
Input	100V - 240V AC	100V - 240V AC	100V - 240V AC
Output Voltage	12V DC	12V DC	12V DC
Frequency	50/60 Hz	50/60 Hz	50/60 Hz



# Access Display Group, Inc.

TEL: 800-289-1539 FAX: 877-842-5126

E-MAIL: [customerservice@accessdisplaygroup.com](mailto:customerservice@accessdisplaygroup.com)

## LED Lighting Specs

### Optional Add Ons

#### **12V Inline On / Off Switch**

This 12V Inline On/Off Switch is for use in switching our LED products on and off between the power source and the fixture. Sleek and discreet, with rounded edges and a subdued black or white color, the 12V Inline Switch is attractive enough to be used in the open and compact enough to be tucked away out of sight.

Weight: 1 oz

Length: 9 inches (total) / 2.5 inches (switch)

Width: 0.9 inches

Depth: 0.7 inches

Input / Output: 12V DC

Wattage Limit: 24 Watt

Connectors: DC Coaxial



#### **LED Dimmer Switch**

The Dimmer Switch is a compact and dynamic tool for easy dimming of LED lighting. It features a fully touch-sensitive housing, you just use a finger for full dimming control and for turning your lights on and off. Touch the housing quickly to switch on or off, and touch it continuously to dim the lights.

Weight: 1 oz

Dimensions: 1.5 inches x 1.2 inches x 0.35 inches

Cable Length: 7 inches

Connector Types: (1) Female DC / (1) Male DC

Voltage: 12V - 24V DC

Maximum Amperage Input: 3A

Maximum Wattage: 36W (12V)

