

Access Display Group, Inc.
 1-800-289-1539
 151 South Main Street
 Freeport, New York 11520
 www.displays4sale.com

SELECT DESIRED COLOR:

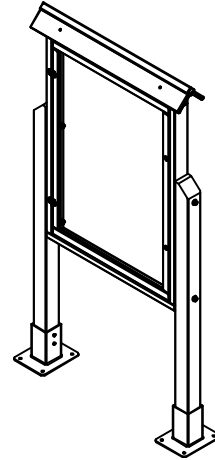
- CEDAR BLACK
- GREEN BROWN
- DESERT TAN GRAY

SELECT DESIRED TACKBOARD:

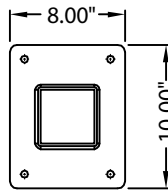
- CORK (STANDARD)
- RUBBER (UPGRADE)

SELECT DESIRED MOUNT:

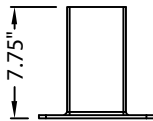
- SURFACE
- IN-GROUND



ISOMETRIC VIEW

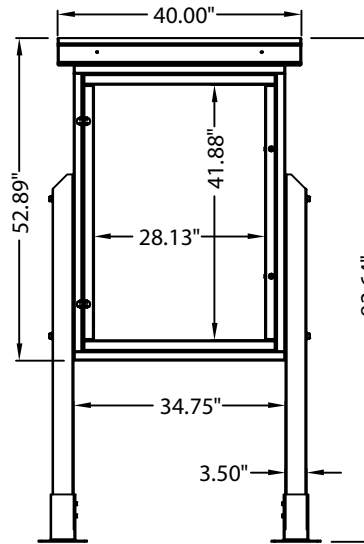


TOP VIEW

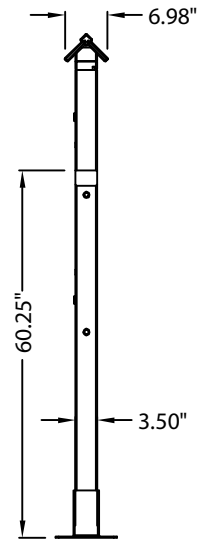


SIDE VIEW

SURFACE MOUNT BASE



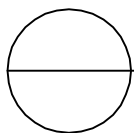
FRONT VIEW



SIDE VIEW

NOTES:

1. ALL MATERIAL RECYCLED HDPE.
2. ALL HARDWARE STAINLESS STEEL.
3. SHIPPED PARTIALLY ASSEMBLED.
4. INSTALLATION TO BE COMPLETED IN ACCORDANCE WITH MANUFACTURER'S SPECIFICATIONS.
5. DO NOT SCALE DRAWING.
6. THIS DRAWING IS INTENDED FOR USE BY ARCHITECTS, ENGINEERS, CONTRACTORS, CONSULTANTS AND DESIGN PROFESSIONALS FOR PLANNING PURPOSES ONLY. THIS DRAWING MAY NOT BE USED FOR CONSTRUCTION.
7. ALL INFORMATION CONTAINED HEREIN WAS CURRENT AT THE TIME OF DEVELOPMENT BUT MUST BE REVIEWED AND APPROVED BY THE PRODUCT MANUFACTURER TO BE CONSIDERED ACCURATE.
8. CONTRACTOR'S NOTE: FOR PRODUCT AND COMPANY INFORMATION VISIT WWW.CADDDETAILS.COM/INFO AND ENTER REFERENCE NUMBER 1177-086.



LARGE VERTICAL MESSAGE CENTERS