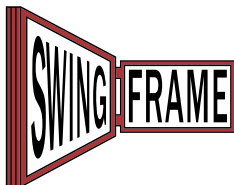


Access Display Group, Inc.
1-800-289-1539
151 South Main Street
Freeport, New York 11520
www.displays4sale.com

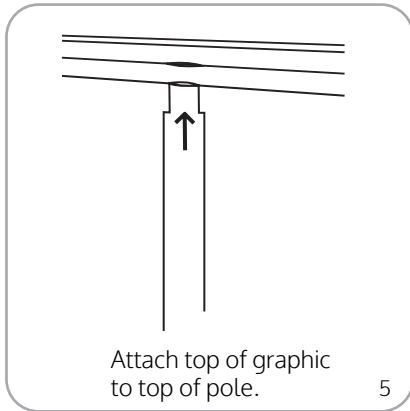
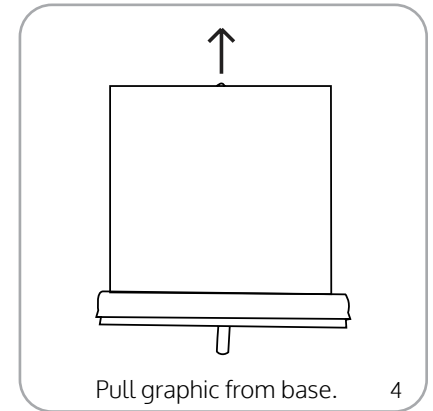
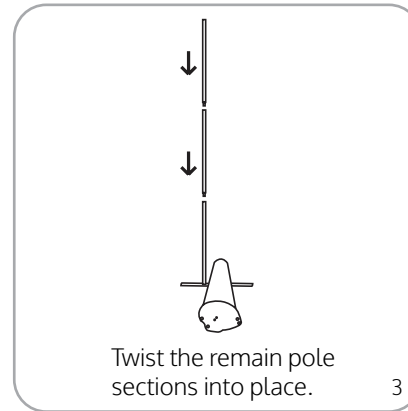
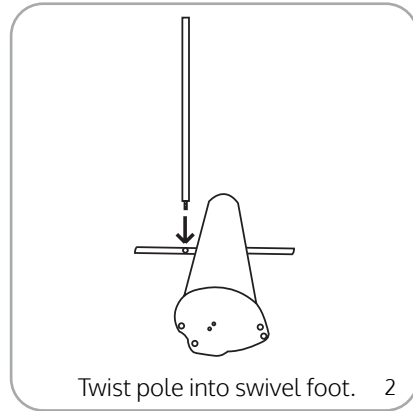
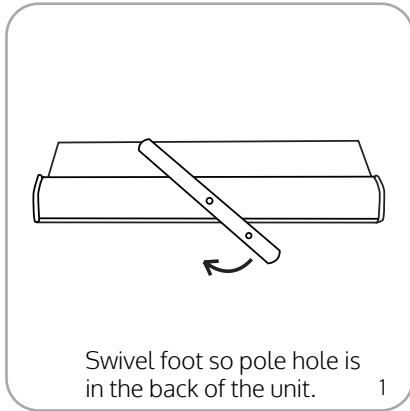


ZENITH

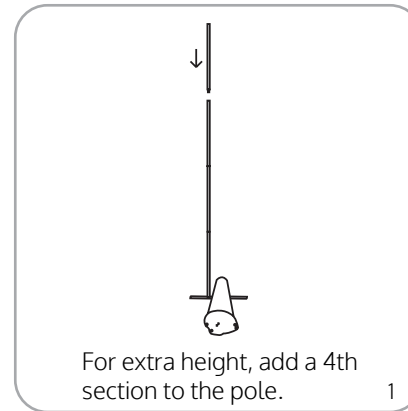
Retractable Banner Stands



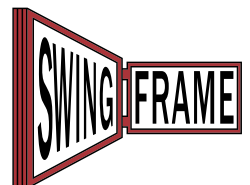
Assembly Instructions



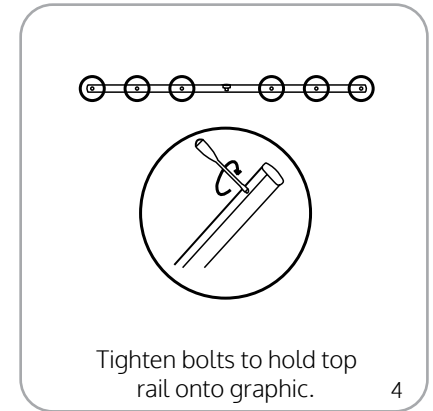
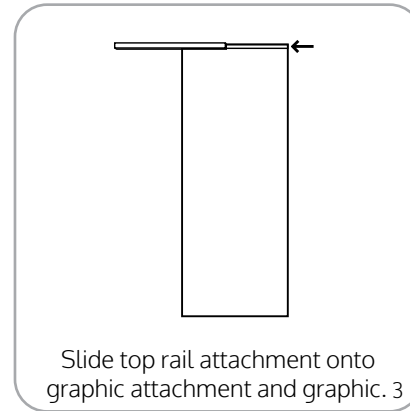
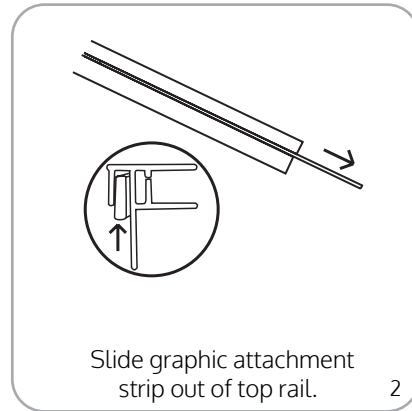
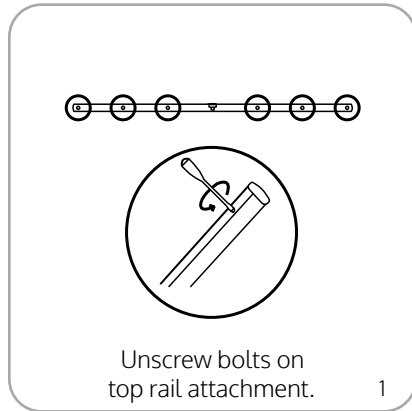
4th Pole Attachment



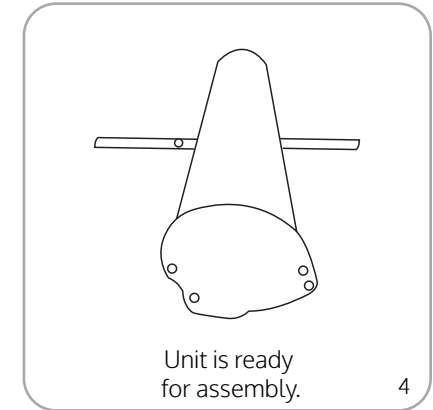
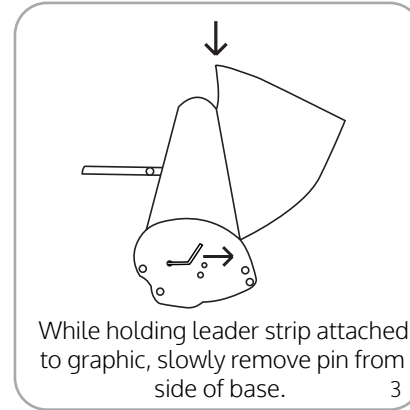
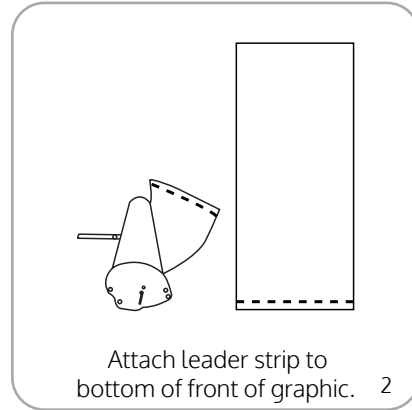
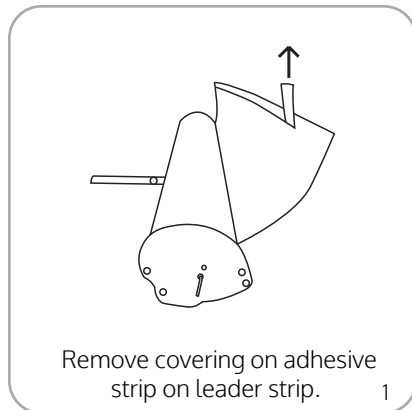
Access Display Group, Inc.
1-800-289-1539
151 South Main Street
Freeport, New York 11520
www.displays4sale.com



Grippa Top Rail Attachment



Attaching Graphic to Leader Strip



Access Display Group, Inc.
1-800-289-1539
151 South Main Street
Freeport, New York 11520
www.displays4sale.com

