

Snap Frame Assembly Instructions



Step 1:
Remove Wrapped Snap Frame
Rails From Box



Step 2:
Un-Wrap and Snap Open each
Frame Rail



Step 3:
Place Hardware Corners into Ends
of Mitered Snap Frame Rails



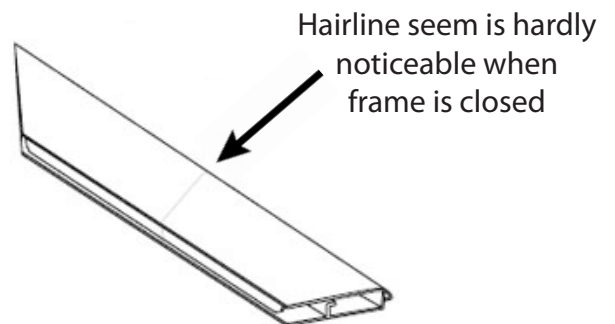
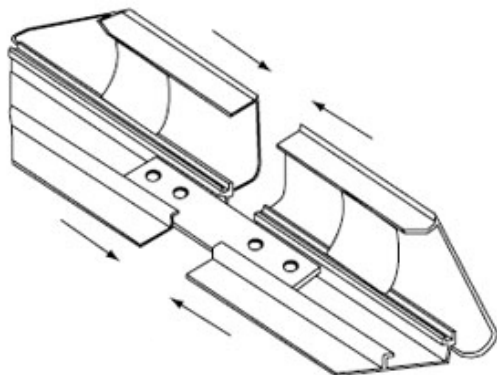
Step 4:
Join Mitered Corners.
The Hardware Slides Into Slots



Step 5:
Use Philips Screwdriver and
Tighten Screws on Hardware



Step 6:
Repeat until all Four Mitered
Corners are Joined. Then Place
Backing Board and Overlay into
Frame (If Included) and Snap all 4
sides down.



ALL snap frame rail sizes 90" and larger will be CUT in HALF and provided with a Straight Joiner Key to connect the two snap frame rails together.