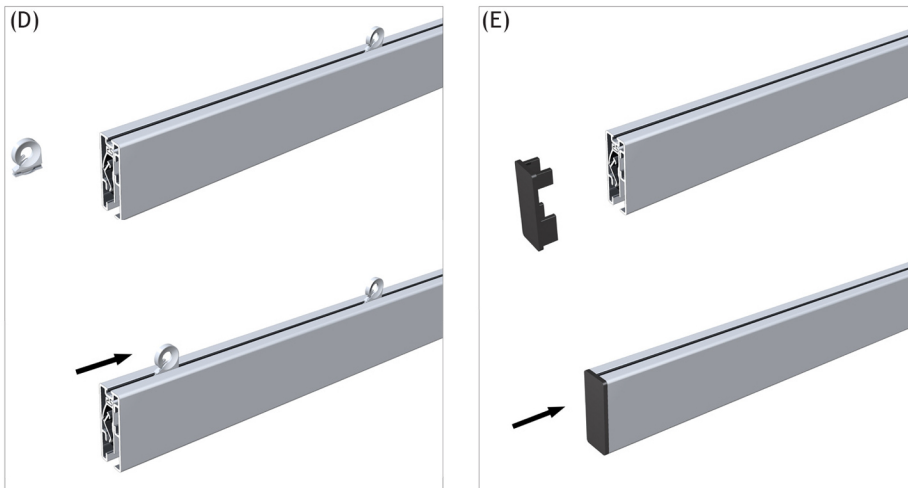
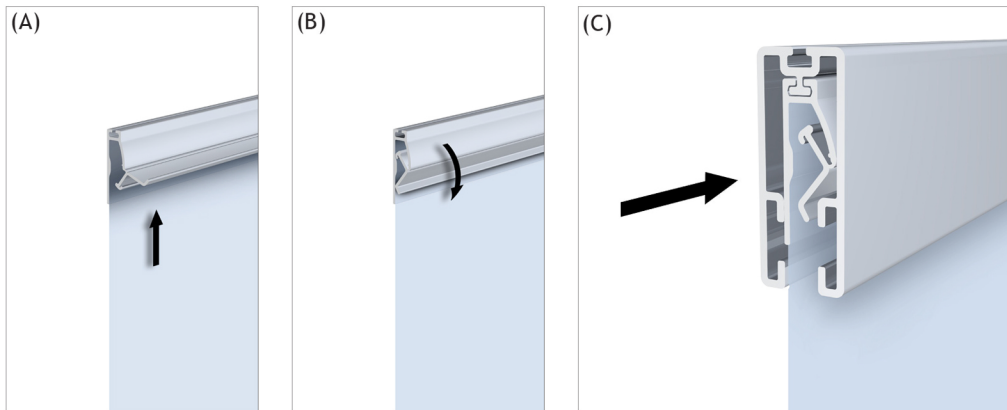


Slender Line Snap Grippers

1. Insert graphic into open Snap Grippers (fig. A) and clamp into place (fig. B).
(Snap Grippers will not close securely unless a graphic is inserted).
2. Slide Snap Grippers into aluminum shroud (fig. C).
3. Slide hanging clips directly into top Snap Grippers channel (fig. D).
4. Insert endcaps to finish assembly (fig. E).



(graphics are not shown in images above for clarity purposes)

