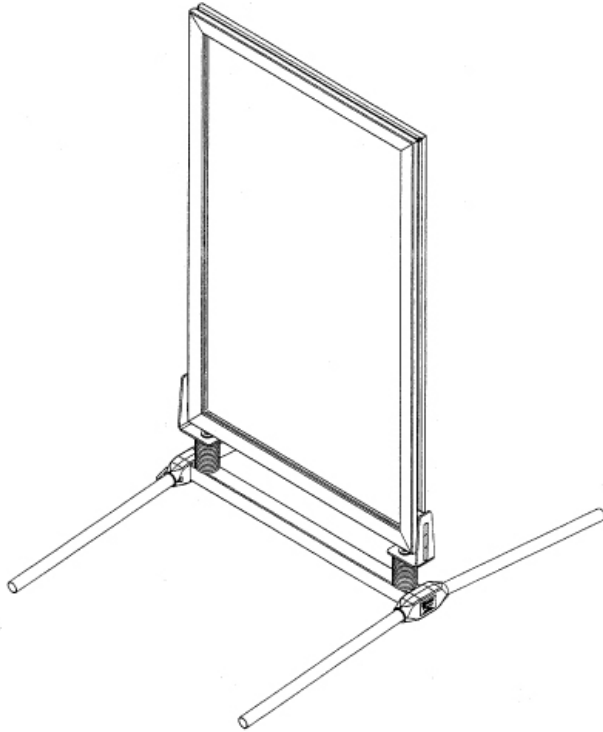


Floor Stand Outdoor Curb Sign Stand



Step 1

Tip frame on edge and place end cap on cross bar.

Step 2

Slide legs into end cap, while pushing spring button in. Wiggle legs till spring button snaps into place. Stand frame upright

Step 3

Snap open all four sides of frame.

Step 4 (To Place Graphic In)

Place graphic in and snap shut all four frame sides.

