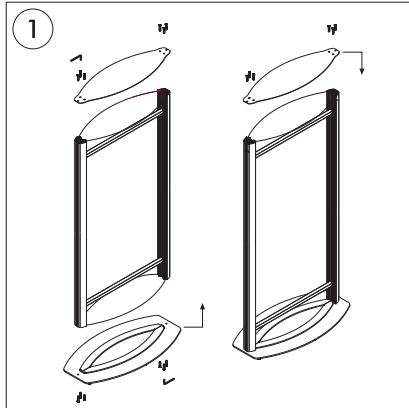
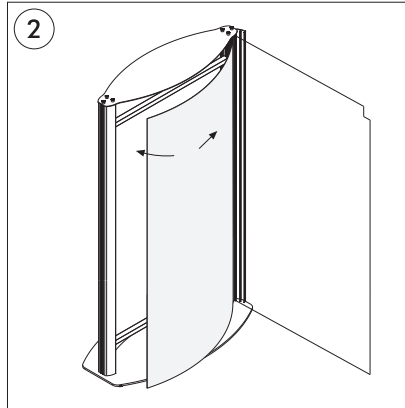


### Illuminated Curved Totem Floor Display Double Sided Posters 27 x 77

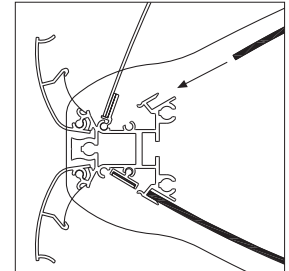
#### • ASSEMBLY OF PRODUCT



• Fix by screwing bottom and then top plates to side column on both sides.

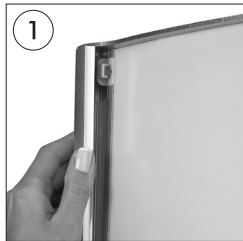


• Place opaque sheets into channels on side columns.

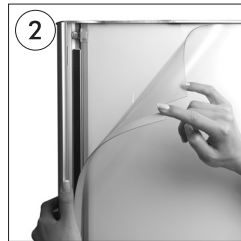


• Replacement of opaque sheets.  
• Einschubung der opelen Acrylscheibe  
• Opak fon yerleşimi.

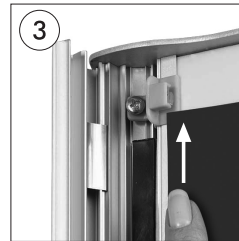
#### • ASSEMBLY OF POSTER



• Open all profiles upwards.



• Take-off the anti-reflex cover.



• Slide poster by rubbing it passed into clips on corners as is in photo.



• After placing the cover back on the poster, close the profiles downwards.

