

Factory Installed Hangers Come Standard on the Backside of the Display Board

Mounting Bracket Instructions

For added mounting security and support, the mounting brackets below are offered as an option when ordering. These **DO NOT** come standard with the display board and must be purchased when placing your order.

Provided Installation Hardware

Hangers (A)



UVMB800

Quantity

(4) For Display Boards Up to 4' x 4'	(6) For Display Boards Up to 4' x 8'
---	---

Self-Tapping Screws (B) or Wood Screws (C)



UVMB801

Quantity

(8) or (12)

(B)

(C)



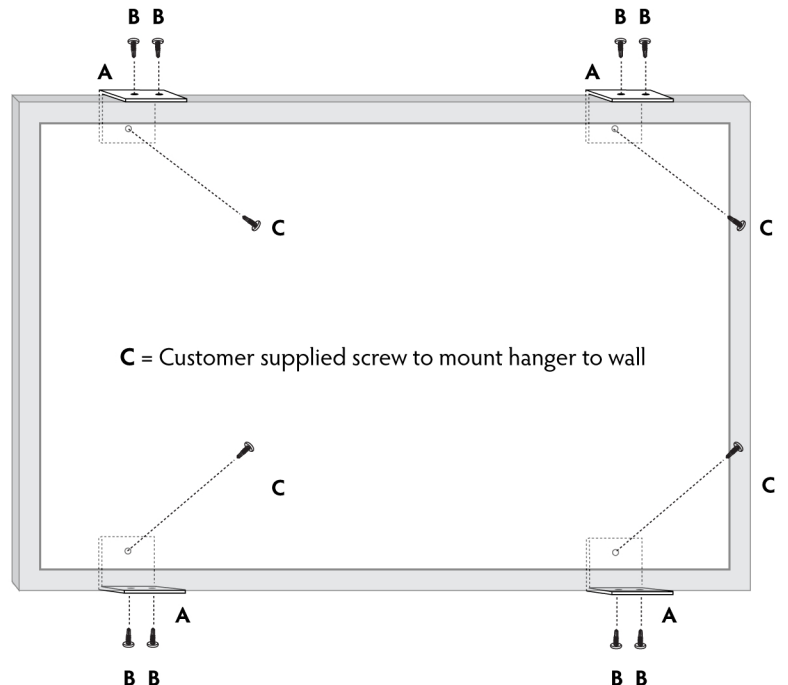
Additional Mounting Hardware (not included)

Installer to determine and supply wall fasteners based upon:

- Wall type
- Wall thickness
- Accessibility to studs

It is recommended that the hanger brackets are mounted into wall studs for secure fastening of board. Alternately, appropriate screws and/or anchors may be needed.

1. Mount lower hangers (2 or 3 depending upon board size - see above) into wall studs. Hangers should be level.
2. Set board on lower hangers and mark location for upper hangers. Remove board, then install upper hangers into wall, again securing into wall studs.
3. Set board on lower hanger brackets. Adjust where appropriate. Drill 1/16" hole through the hanger bracket, into the bottom of the display board. Use provided screws to attach board to hangers.



Disclaimer - Installation is sole responsibility of buyer. Choose a qualified contractor to hang these boards according to general contractor practices. Please check and conform to local building codes.