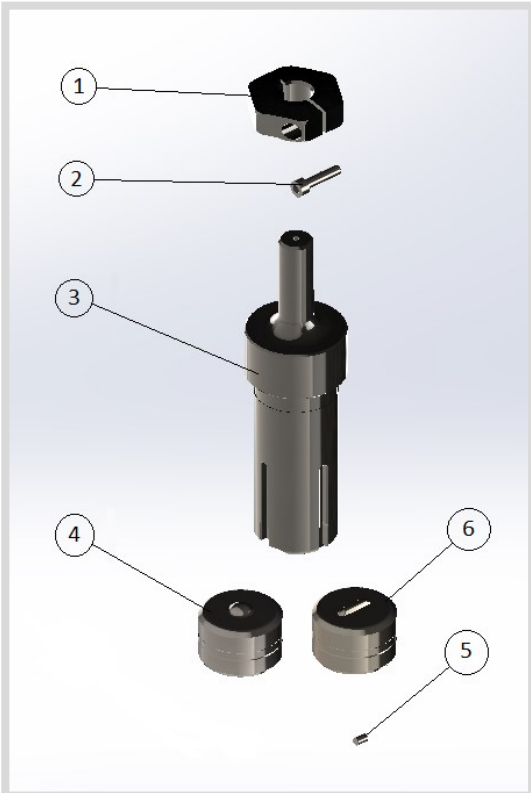




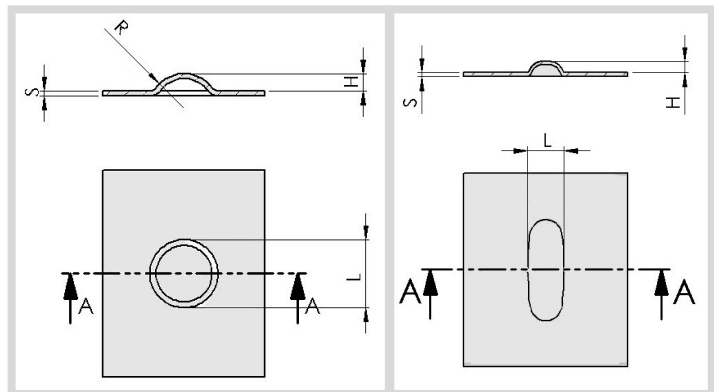
CUSTOMER INFORMATION

Name : _____ Telephone n. : _____
 Machine Model : _____ Fax : _____
 Material Type : _____ Email : _____
 Material Thickness : _____ Address : _____



CONTINUOUS EMOSS SET	
⇒ Adjustable lenght	
⇒ Solid die	
1	HEAD
2	SCREW
3	PUNCH
4	DIE (ROUND)
5	PIN
6	DIE (SHAPE)

Notes and drafts. Please specify here the distance of any close deformation.



ORDERING SPECIFICATIONS

Order _____ Offer _____
 Item required: _____

 Number of previous order: _____

CUSTOM DIMENSIONS (mm)

Round: _____ Shape: _____ S= _____
 H= _____ L= _____
 R= _____ TICN Coating: YES / NO