

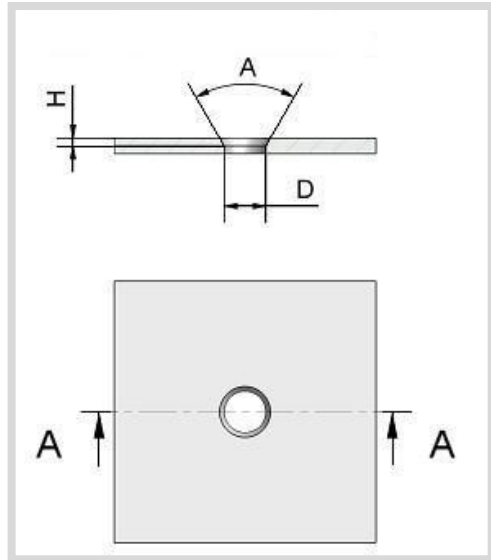
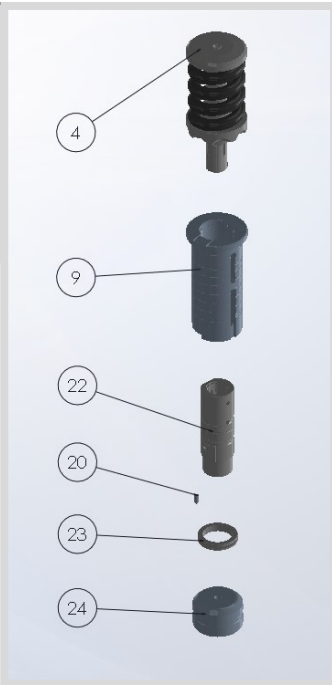
CUSTOMER INFORMATIONS

Name : _____ Telephone n. : _____
 Machine Model : _____ Fax : _____
 Material Type : _____ Email : _____
 Material Thickness : _____ Address : _____

COUNTERSINK TOOL

- ⇒ Adjustable length
- ⇒ Smart guide and punch holder

4	PUNCH HOLDER
9	GUIDE
22	PUNCH
20	PIN
23	STRIPPER PLATE
24	DIE



Notes and drafts. Please specify here the distance of any close deformation.

CUSTOM DIMENSIONS (mm)

A = _____
 D = _____
 H = _____
 Order with pre-pierce tool: YES / NO

ORDERING SPECIFICATIONS

Order _____ Offer _____
 Item required: _____

 Number of previous order: _____

