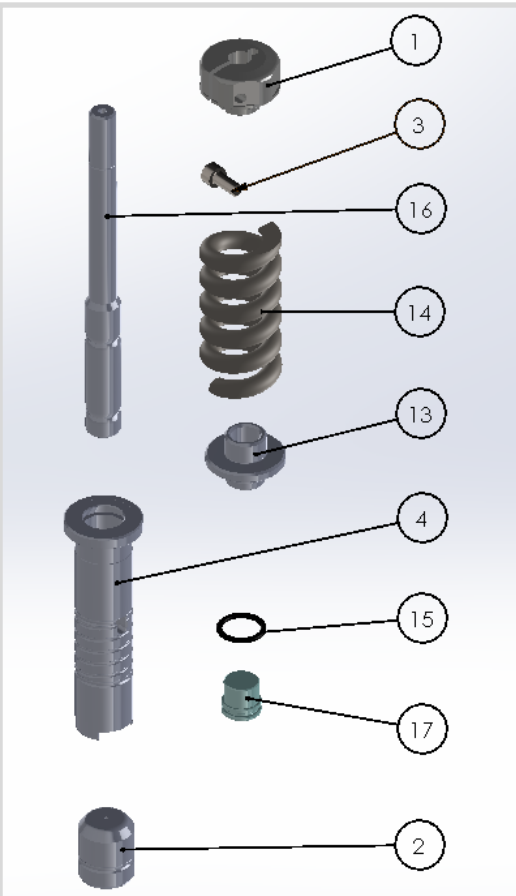


CUSTOMER INFORMATIONS

Name: _____ Telephone n. : _____
 Machine model: _____ Fax: _____
 Material type: _____ Email: _____
 Material Thickness: _____ Address: _____

A - STATION MARKING ASSEMBLY	
⇒	TOOL WITH REPLACEABLE INSERT
⇒	ADJUSTABLE LENGHT
⇒	SOLID DIE
1	HEAD
2	DIE
3	SCREW
4	GUIDE
13	COLLAR
14	SPRING
15	NBR O-RING
16	PUNCH HOLDER
17	MARKING TOOL INSERT



ORDERING SPECIFICATIONS

Order _____ Offer _____
 Item required: _____

 Number of previous order: _____

Notes and drafts. Please specify here the distance of any close deformation.