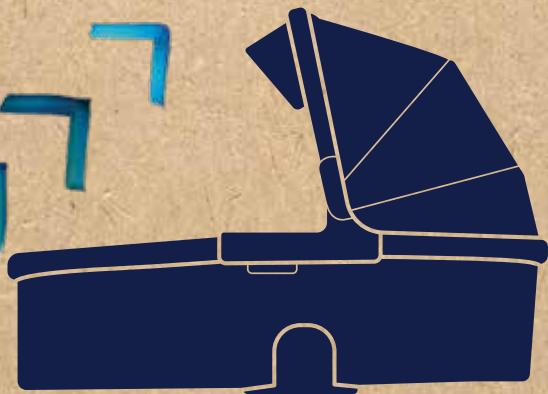


# demi<sup>TM</sup>grow bassinet



nuna<sup>®</sup>

*Designed*  
**around your life**

**nuna®**

**IMPORTANT!**  
**KEEP THESE INSTRUCTIONS**  
**FOR FUTURE REFERENCE:**  
*READ ALL INSTRUCTIONS*  
*CAREFULLY BEFORE ASSEMBLY*  
*AND USE OF THE BASSINET.*

## Contents

### Product Information

Product Registration	4
Warranty	4
Contact	4

### Child Usage Requirements

5

### Warnings

6

### Parts List

9

### Product Set Up

10

### Product Use

10

### Cleaning and Maintenance

16

## Product Information

Model Number: \_\_\_\_\_

Manufactured in (date): \_\_\_\_\_

### Product Registration

Please fill in the above information. The model number and the manufactured in date are located on the mattress board inside the bassinet, under the soft goods. Fill out the prepaid registration postcard attached to the product and mail it today.

**To register your product please visit:**

[www.nuna.eu/register-gear](http://www.nuna.eu/register-gear)

### Warranty

We have purposely designed our high-quality products so that they can grow with both your child and your family. Because we stand by our product, our gear is covered by a custom warranty per product, starting from the day it was purchased. Please have the proof of purchase, model number and manufactured in date available when you contact us.

**For warranty information please visit:**

[www.nuna.eu/warranty](http://www.nuna.eu/warranty)

### Contact

For replacement parts, service, or additional warranty questions, please contact our customer service department.

[infousa@nuna.eu](mailto:infousa@nuna.eu)

[www.nuna.eu](http://www.nuna.eu)

1.855.NUNA.USA

## Child Usage Requirements

This bassinet is suitable for use with children who meet the following requirements:

**Weight:** Up to 20 lbs (9 kg) (birth–6 months)

**Height:** 27 in. (68 cm) or less

**DO NOT** use the bassinet when the infant begins to push up on hands and knees.

# **⚠️WARNING**

**Failure to follow these warnings and the instructions could result in serious injury or death.**

A child's safety is your responsibility.

To avoid any danger of suffocation, remove all plastic covers before using this product and destroy or keep away from babies and children!

Keep small parts away from children as they pose a choking hazard.

Discontinue using these products should they become damaged or broken.

Use original Nuna parts and accessories only.

**ALWAYS** allow the fabric to dry naturally away from direct heat.

**DO NOT** let your child play with this product.

**DO NOT** place any item on the canopy of this product.

**DO NOT** leave this product exposed in the vicinity of a strong source of heat i.e. a radiator or open fire or store this product in a damp place.

**DO NOT** make any changes or modifications to this product, that is not specified in this manual.

**NEVER** carry more than one child at a time in this product.

## **When Using in Bassinet Mode**

This bassinet is suitable for use with children who weigh up to 20 lbs (9 kg) (birth–6 months) and whose height is 27 in. (68 cm) or less.

If a sheet is used with the mattress pad, use only the one provided by Nuna which is specifically designed to properly fit the dimension of the bassinet mattress pad.

To reduce the risk of SIDS, pediatricians recommend healthy infants be placed on their backs to sleep, unless otherwise advised by your physician.

Strings can cause strangulation! Do not place items with a string around a child's neck, such as hood strings or pacifier cords. Do not suspend strings over a bassinet or cradle or attach strings to toys.

**FALL HAZARD** To help prevent falls, do not use the bassinet when the infant begins to push up on hands and knees or has reached 20 lbs (9 kg), whichever comes first.

### **SUFFOCATION HAZARD**

Infants have suffocated:

- In gaps between extra padding and side of the bassinet, and
- On soft bedding.

Use only the pad provided by Nuna. **NEVER** add a pillow, comforter, or another mattress for padding.

**NEVER** use this bassinet as a means to transport an infant in a motor vehicle.

## When using the DEMI grow Bassinet in Carry Cot Mode

This bassinet when used on the DEMI grow stroller in carry cot mode is suitable for use with children who weigh up to 20 lbs (9 kg) (birth–6 months) and whose height is 27 in. (68 cm) or less.

To prevent a hazardous or unstable condition, do not place more than 3 lbs (1.4 kg) in the accessory pocket.

Negotiate curbs and rough ground carefully. Repeated impact will cause damage to this product.

Adding accessories such as purses, shopping bags, or parcels to the handle or canopy can cause the stroller to be unstable.

**ALWAYS** check that the bassinet is securely locked on the stroller by pulling up on the bassinet.

**FALL HAZARD** Child's movement can slide bassinet. **NEVER** place bassinet on counter tops, tables, or any other elevated surface. Always stay within arm's reach whenever carrier is not on floor/ground.

**SUFFOCATION HAZARD** Bassinet can roll over on soft surfaces and suffocate child. **NEVER** place bassinet on beds, sofas, or other soft surfaces.

**NEVER** leave child in the bassinet when ascending or descending stairs or escalators.

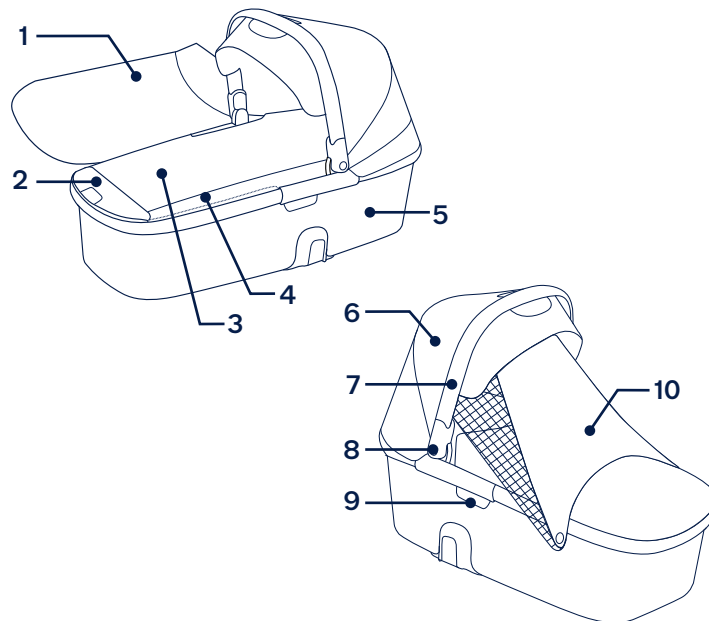
**NEVER** leave child unattended. Always keep your child in view while in this product.

**NEVER** use this bassinet as a means to transport an infant in a motor vehicle.

## Parts List

Make sure all parts are available before assembly. If any part is missing, please contact Nuna (see page 4 for information). No tools are required for assembly.

- |  |                           |
|--|---------------------------|
| 1 Bassinet Cover                             | 6 Canopy                  |
| 2 Accessory Pocket<br>(maximum load = 3 lbs) | 7 Handle                  |
| 3 Bassinet Liner                             | 8 Canopy Folding Button   |
| 4 Mattress Pad                               | 9 Stroller Release Button |
| 5 Bassinet                                   | 10 Dream Drape™           |



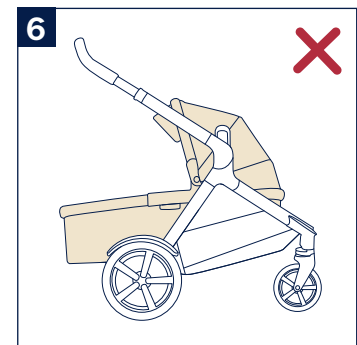
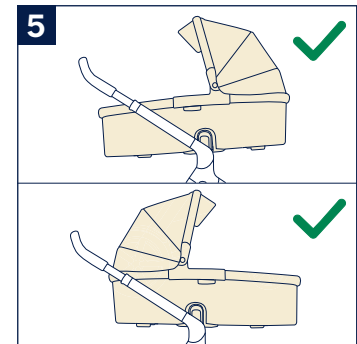
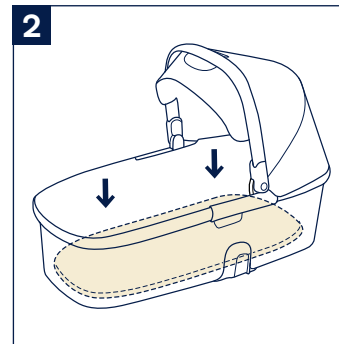
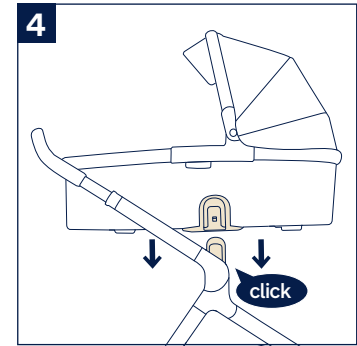
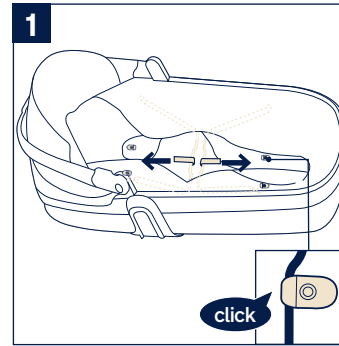
# Product Set Up

- 1 - Open the wire support on both sides of the bassinet. Click the wire into the four plastic parts. A “click” sound means the wire support is secure.
- 2 - Place the mattress pad into the bassinet and smooth it down.
- ⚠ Always use the mattress pad when using the bassinet. Mattress pad cover can easily be removed to wash.
- 3 - Attach the bassinet cover to the bassinet with the zippers on either side.

# Product Use

## Bassinet Attachment on Stroller Frame

- 4 - To attach bassinet to the stroller frame, align the sides of the bassinet with the seat mounts. Place the bassinet directly down until it clicks into place. A “click” sound means the bassinet is attached completely.
- 5 - The bassinet can be installed rear or forward facing on the top mount. When installing bassinet in lower mount, close the canopy.
- 6 - **DO NOT** use the bassinet rear facing on the lower mount.



## Bassinet Removal

**1** - To remove bassinet, press the bassinet release buttons (1) and lift up (2).

**⚠** Remove bassinet before folding stroller.

## Canopy

**2** - Pull canopy forward. A “click” sound means the canopy is secure.

**⚠** Be sure the handle is locked before lifting bassinet by the handle.

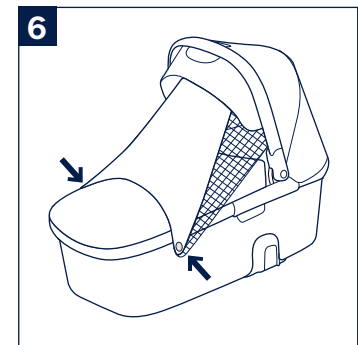
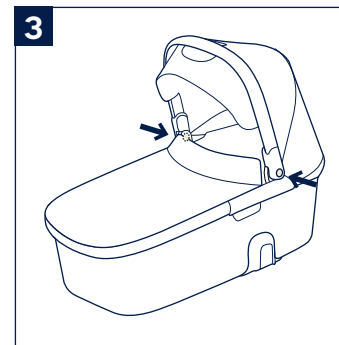
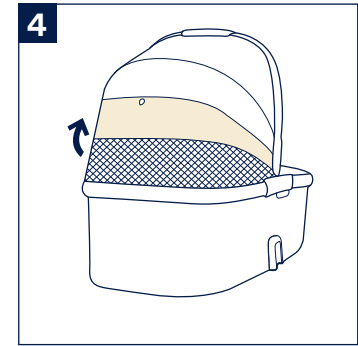
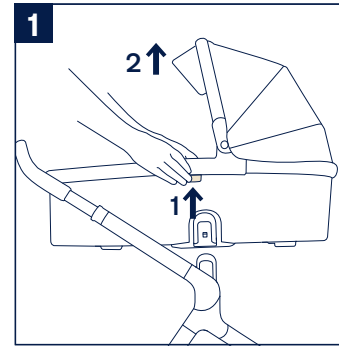
**3** - Close the canopy by pressing the canopy folding buttons on both sides.

**4** - For more ventilation, fold the rear panel of the bassinet canopy up and secure with magnet.

## Dream Drape™

**5** - Pull the Dream Drape™ out from under the bassinet canopy.

**6** - Then secure it to the two sides of the bassinet with magnets.





## Soft Goods Removal

**1** - To remove the bassinet cover, open the zipper.

**2** - Remove the mattress pad.

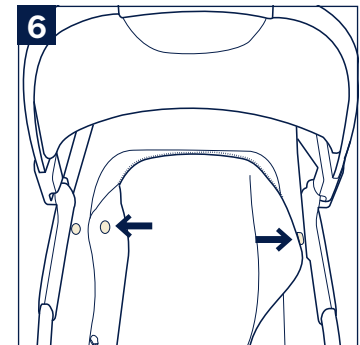
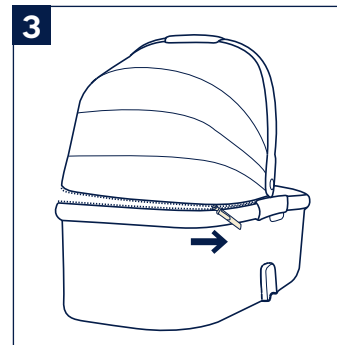
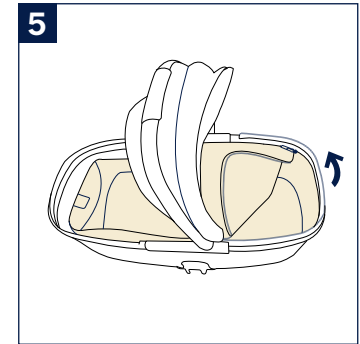
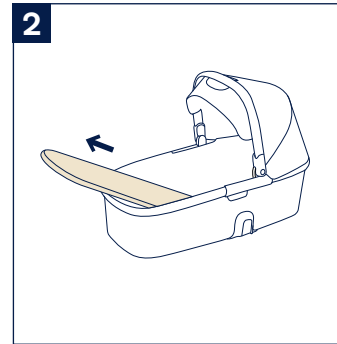
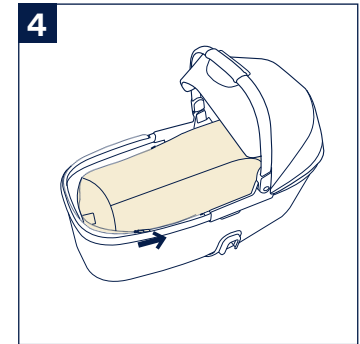
To clean the mattress pad cover, remove the mattress pad before washing.

**3** - To remove the bassinet liner, open the zipper on the back of canopy.

**4** - Open the zipper on the front of the bassinet.

**5** - Then open the zipper on the back of the bassinet.

**6** - Remove the bassinet liner by unsnapping the bassinet liner from the bassinet.



# Cleaning and Maintenance

Clean the frame, plastic parts, and fabric with a damp cloth, but do not use abrasives or bleach. Do not use silicon lubricants as they will attract dirt and grime. Do not store your stroller in a damp place.

To ensure long-lasting use, wipe this product off with a soft, absorbent cloth after using it in rainy weather and before storing away.

Refer to the care label attached to the fabric for washing and drying instructions.

It is normal for fabric to color from sunlight and to show wear and tear after a long period of use, even when used normally.

For reasons of safety, only use original Nuna parts.

Check regularly if everything functions properly. If any parts are torn, broken, or missing, stop using this product.



Nuna Baby Essentials, Inc.

70 Thousand Oaks Blvd. | Morgantown, PA 19543

1.855.NUNA.USA | [Nuna.eu](http://Nuna.eu)