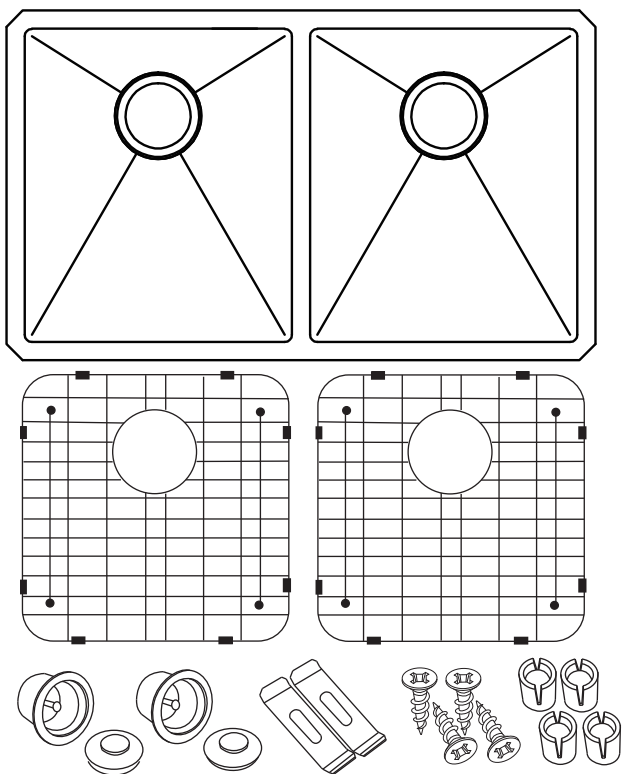


# vadania

Hardware for your life



## Package Includes

- 1 x Double Bowls Kitchen Sink
- 2 x Strainer
- 2 x Bottom Grid
- 1 x Mounting Hardware Kit
- 1 x Cutout Template

## Contact Us

### The official website

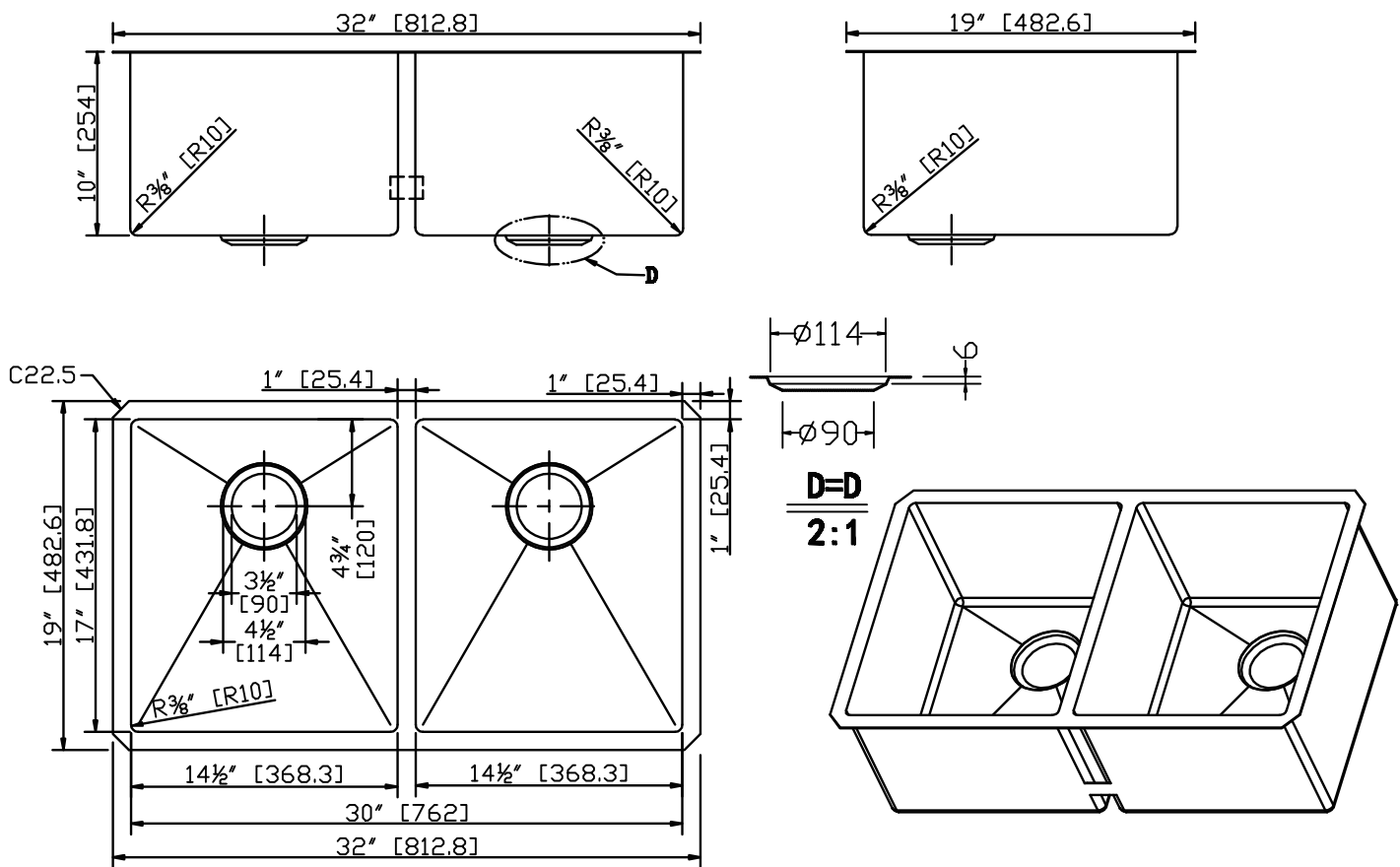
<https://vadania.shop/>

Email: [info@vadania.shop](mailto:info@vadania.shop)



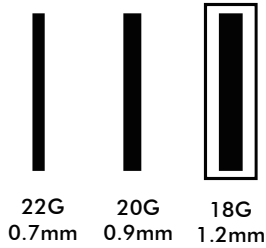
Facebook Page

- **NAME:** VADANIA DOUBLE BOWLS KITCHEN SINK HS3219D
- **MATERIAL:** SUS304 18GAUGE
- **INSTALLATION METHOD:** UNDERMOUNT
- **THICKNESS:** 18 GUAGES/1.2MM
- **FINISH STYLE:** SATIN FINISH
- **DIMENSION:** (L)32 X (W)19 X (D)10 INCHES
- **DRAIN OPENING:** 3.5 INCHES
- **SCOPE OF APPLICATION:** KITCHEN SINK, BAR SINK



# Product Features

## DURABLE & RELIABLE



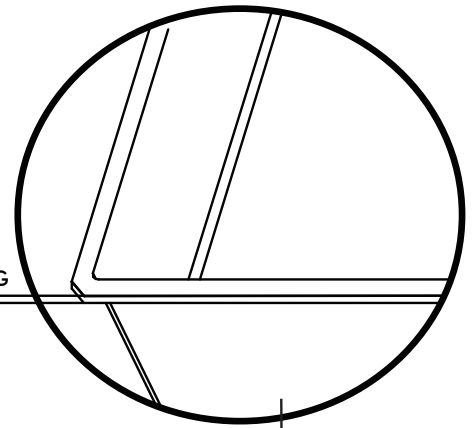
### Real 18 Gauge Thickness

The sink is real 18 Gauge, always 1.2mm thick, which is virtually indestructible and never chip or crack, thus saving a lot of maintenance or replacement cost.

### 304 Stainless Steel

Handcrafted from 304 stainless steel, the most durable material on the market that offers exceptional resistance to corrosion and rust, making it long-lasting and dent-resistant.

1.2mm/18G



## Considerate Edge Processing

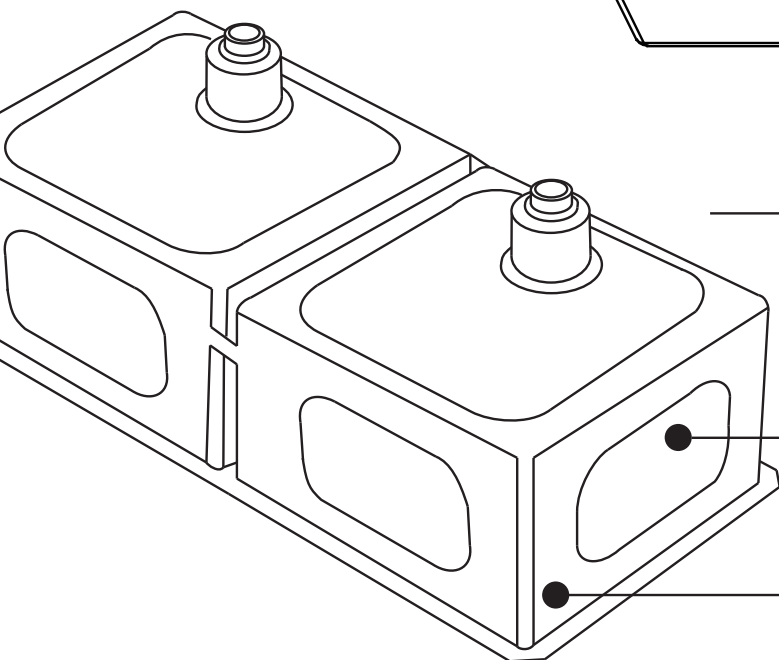
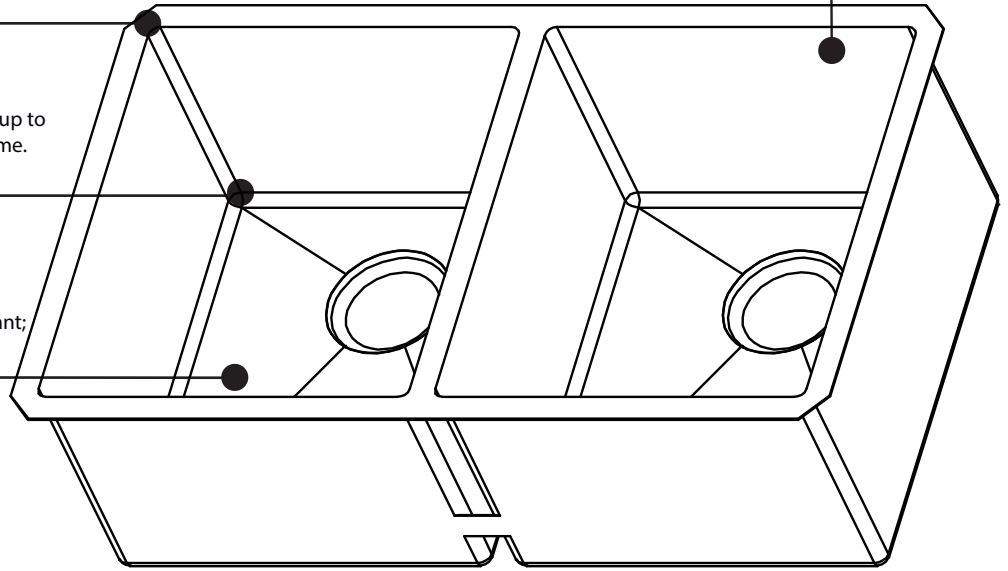
The edge and out corners are under special processing that prevent from scuffing during installation.

## Easy-to-clean R10 Corners

Gently rounded R10 corners are easy to clean, stand up to coffee, wine and grease, highly resistant to dirt & grime.

## Commercial-Grade Satin Finish

Resilient and easy to clean, corrosion and rust-resistant; matches most kitchen appliances



## The Quietest Sink

Proprietary noise defend soundproofing technology absorbs vibration with Extra-thick rubber pads and minimizes noise.

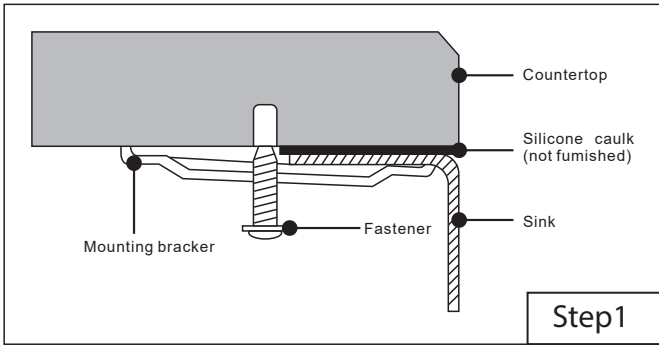
### Extra-thick Rubber Pads

Cover over 80% of sink base to absorb noise from dishwashing and waste disposal.

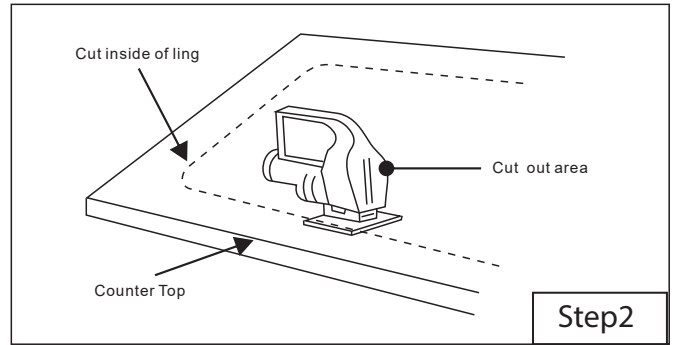
### Non-toxic Undercoating

Prevents condensation that can damage kitchen cabinets.

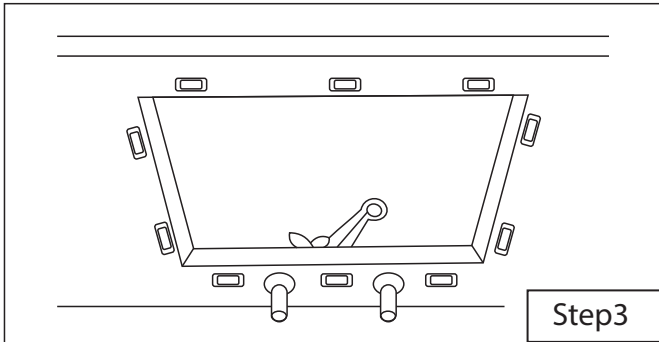
# Installation Instruction



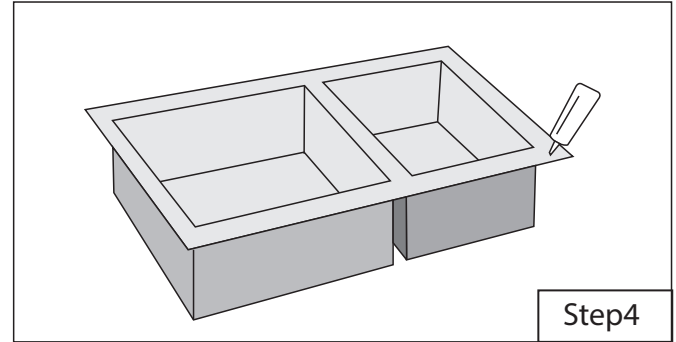
1. Supplied cutout template provides follow options of installation: A. Flush mount: Sink edge is flush with countertop opening.



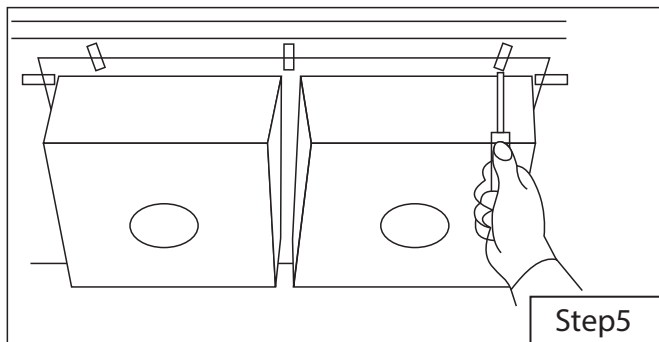
2. Trace the outline of the template and cut countertop according to templated outline suing appropriate cutting tools. Template is for guide only. Use physical sink to ensure accurate cutout opening .



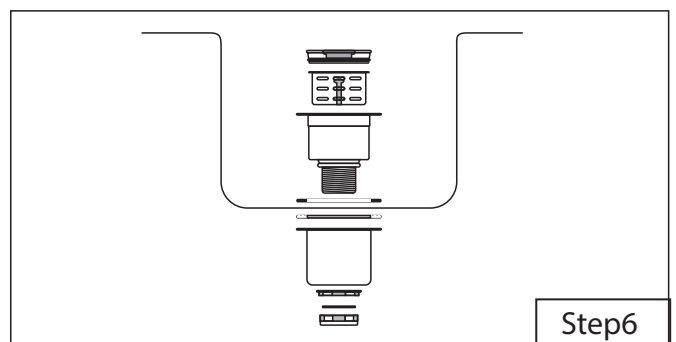
3. Locate the drill holes on the underside of the counter-top, approximately 1" from edge of the sink to be installed. Holes should be evenly spaced approximately 6" to 8" apart starting from every corner as shown in.



4. Clean sink flange and underside of cutout area of countertop, making sure that the area is smooth and free of grease. Apply continuous bead of silicone caulk evenly on top of sink flange.



5. Position and align sink over the countertop opening and press sink onto countertop. Turn bent end of mounting bracket to snug over the sink rim.



6. Wipe away excess silicone caulk with damp cloth. Connect drain and water supply according to manufac-turer's instruction.