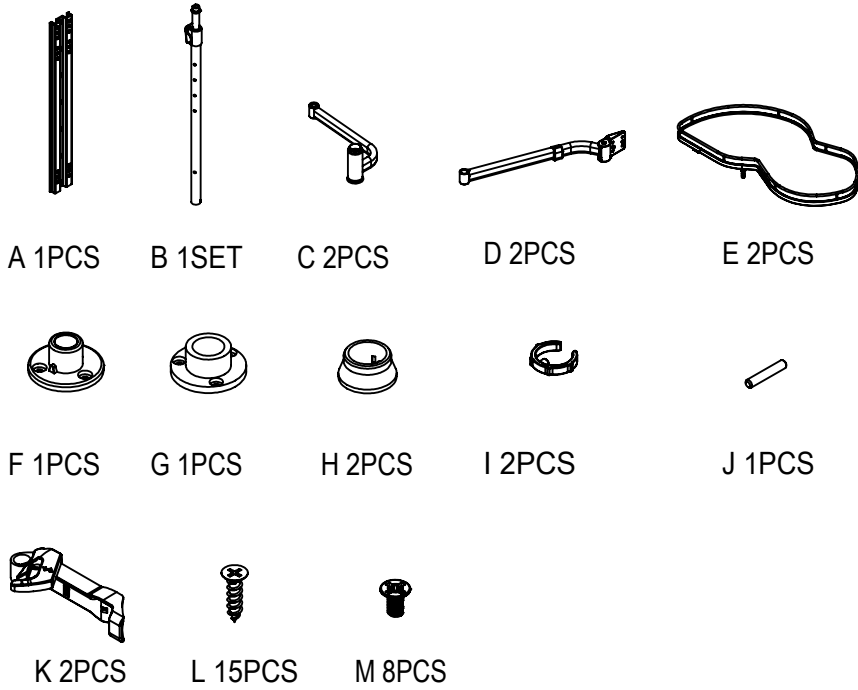
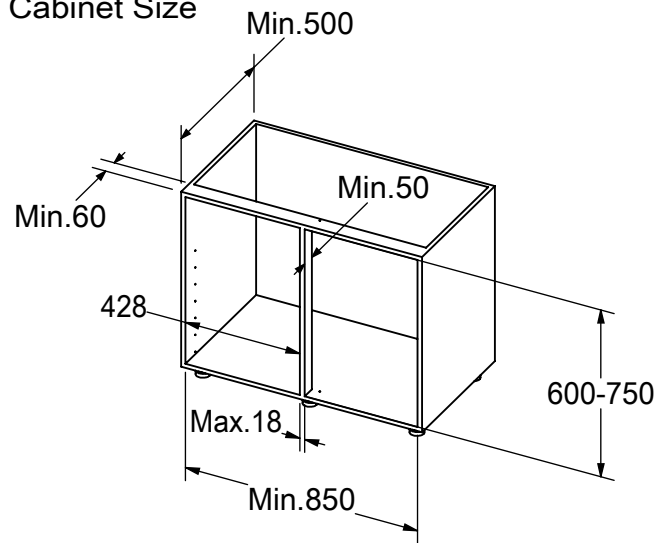


Fixing Instruction for Swing Corner

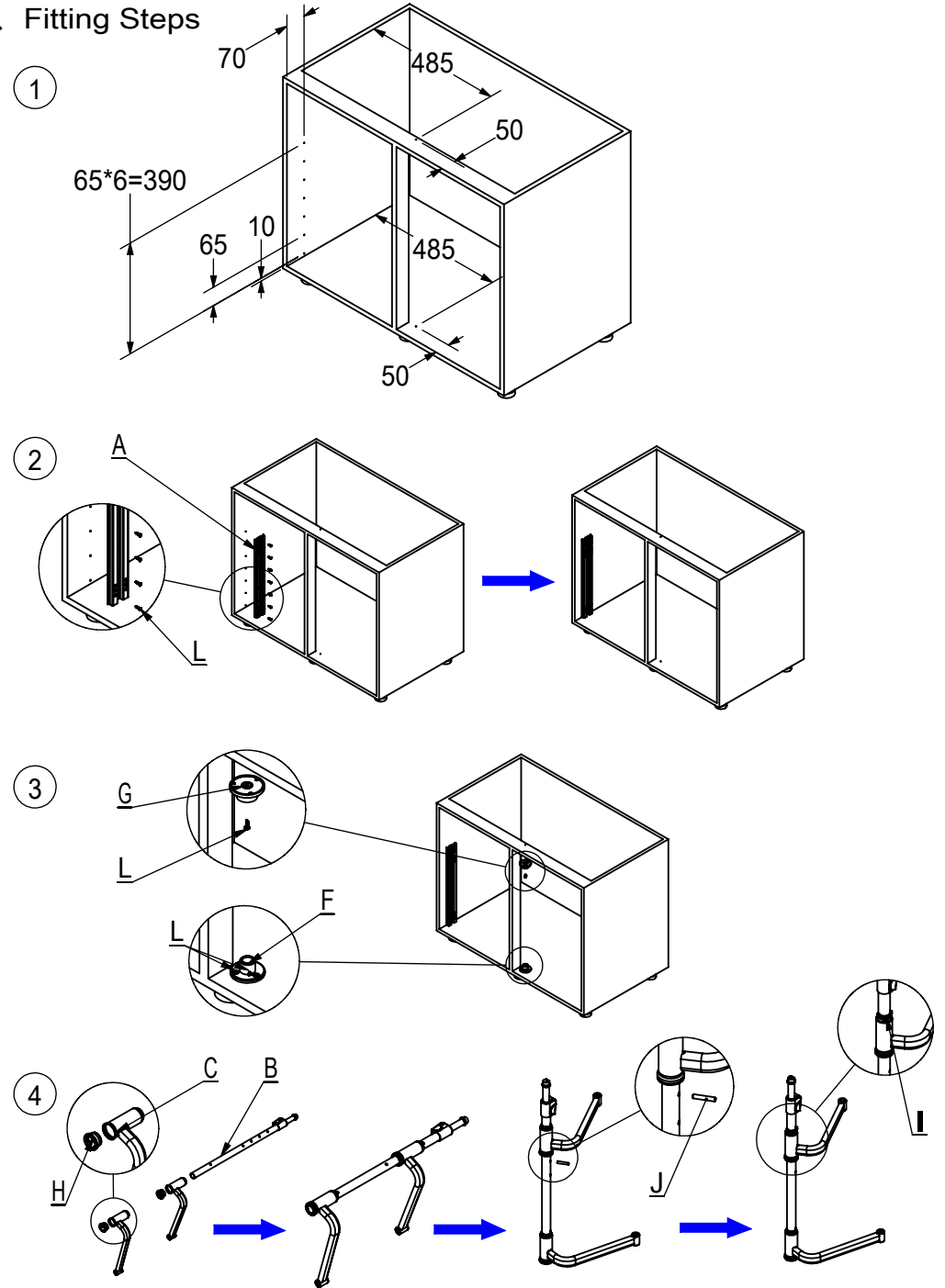
1、Component



2、Fixing Cabinet Size



3、Fitting Steps



Fixing Instruction for Swing Corner

