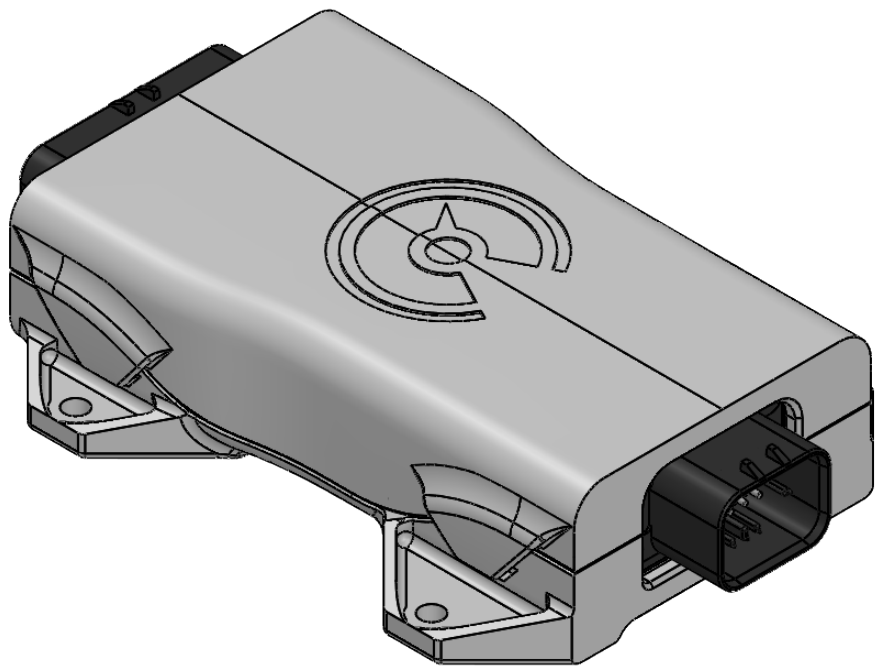
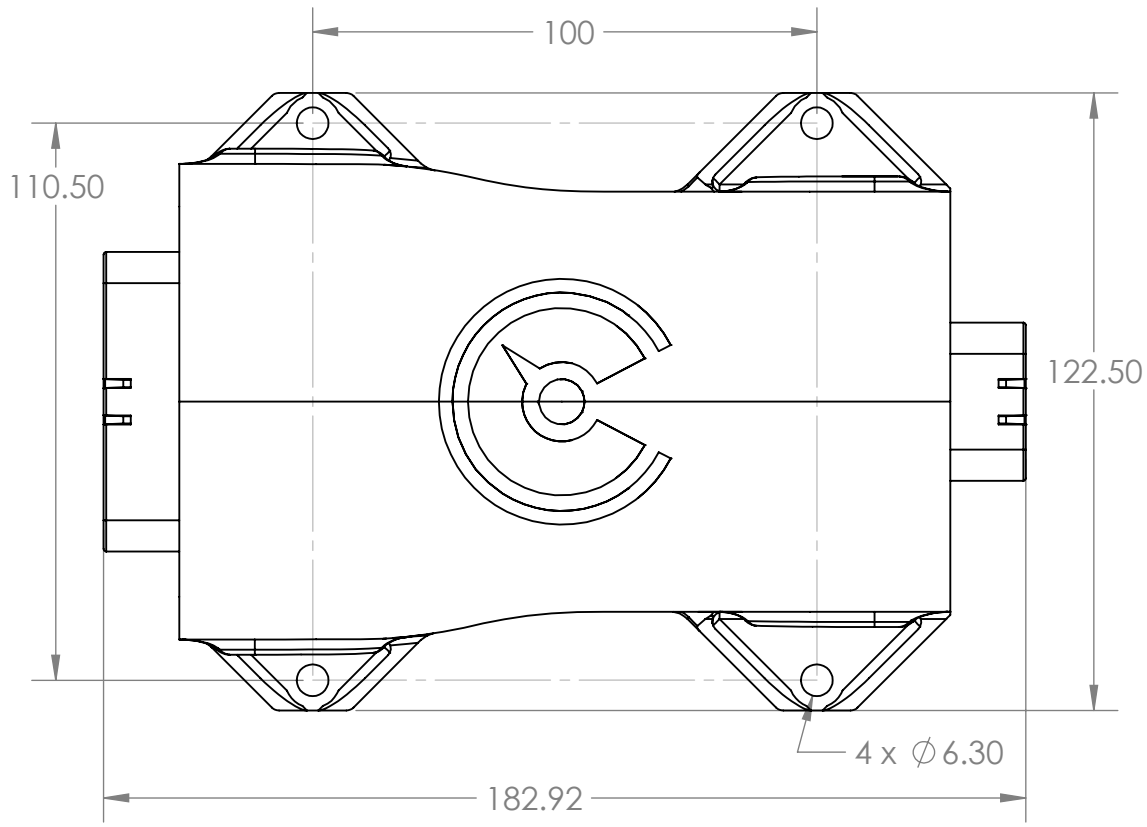


6 5 4 3 2 1

D

D

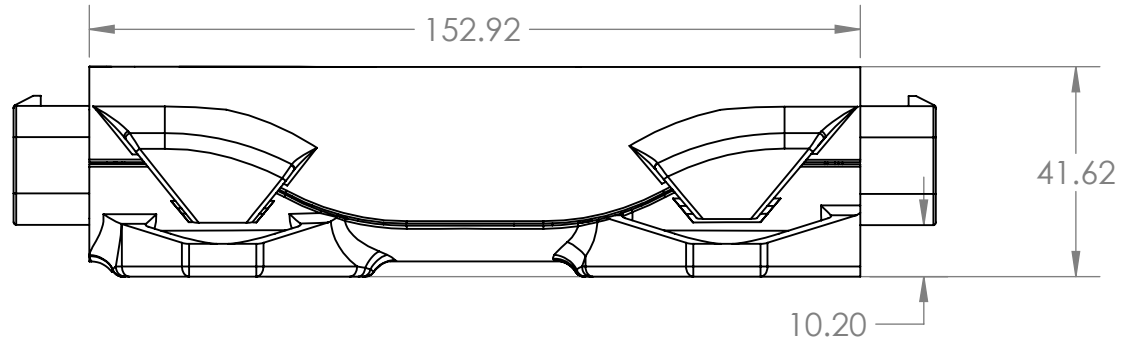


C

C

B

B



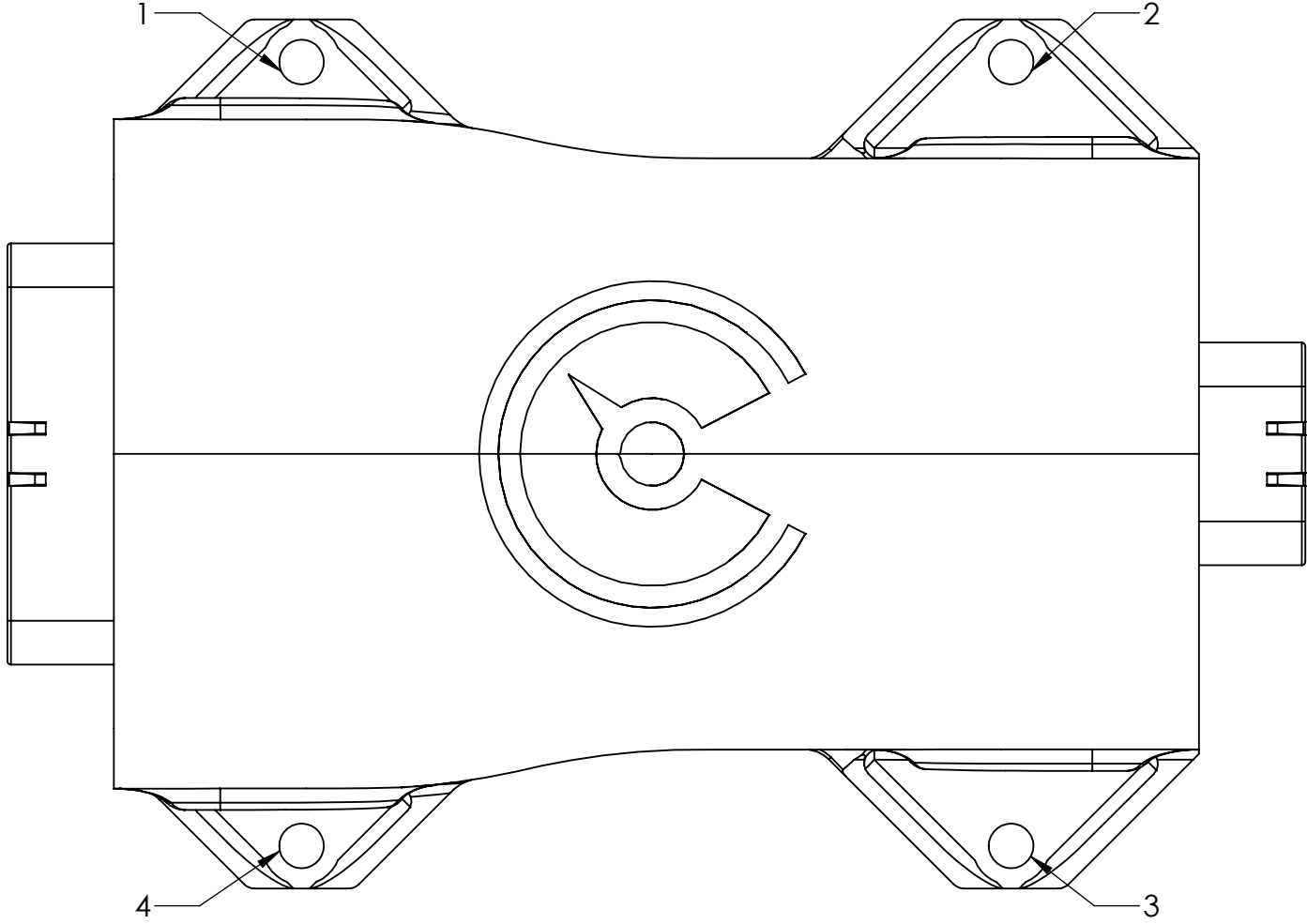
A

A

TITLE:	CAN Extender DWG	A4
SCALE:1:2	SHEET 1 OF 2	

6 5 4 3 2 1

PRINT THIS PAGE TO MARKOUT HOLE PATTERN  
MAKE SURE TO CHANGE PRINTER SCALING TO 100%



TITLE:	CAN Extender DWG	A4
SCALE:1:1	SHEET 2 OF 2	