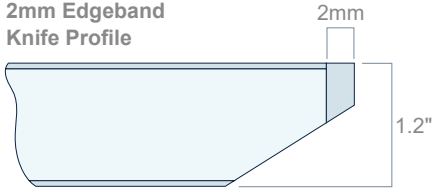
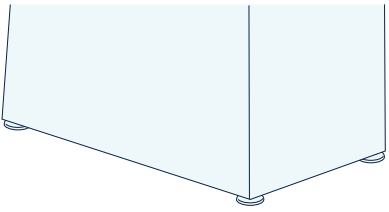
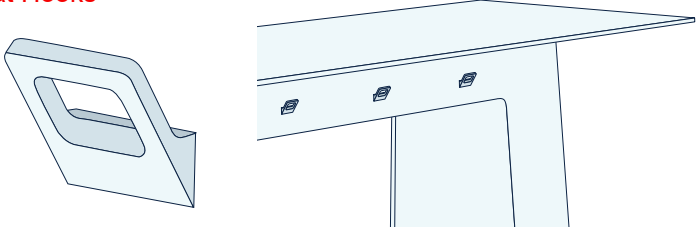


# NIMO BAR



# NIMO BAR

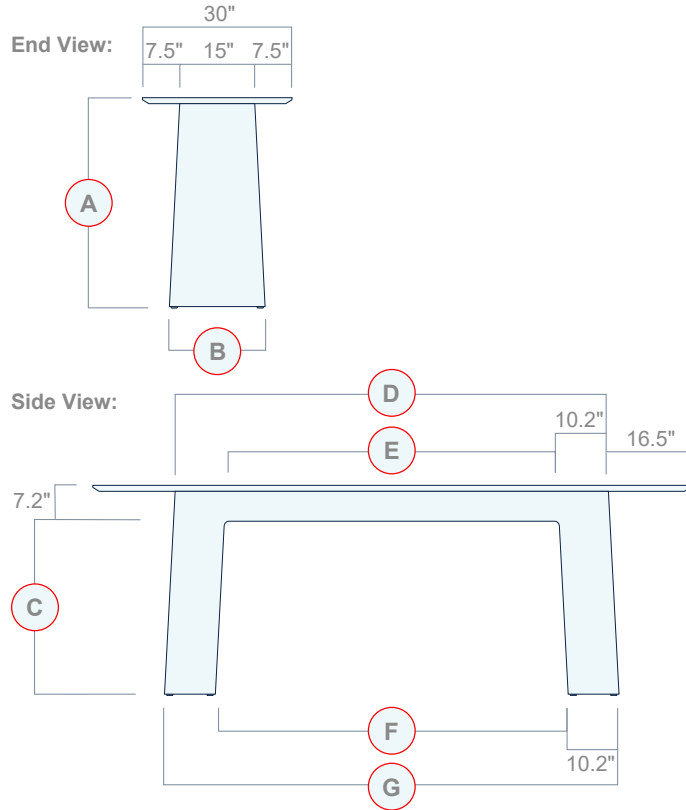
Standard, Tops, Bases, Edges, Glides & Coat Hooks

<p><b>Standards</b></p>	<p><b>Nimo Bar</b> meets or exceeds applicable ANSI/BIFMA durability and safety standards and is SCS Indoor Advantage Gold certified.</p>												
<p><b>Top Construction</b></p>	<p><b>Nimo Bar Tops</b> are 1.2" overall thickness, constructed with high-pressure laminate, particle board core, edged and backed with moisture-resistant coverings to form a completely sealed outside surface.</p>												
<p><b>Base Construction</b></p>	<p><b>Nimo Bar Base</b> is constructed with 14 gauge HRPO steel with powder coat finish.</p>												
<p><b>Top Edge</b></p> 	<p><b>2mm Bar Base</b> is constructed with 14 gauge HRPO steel with powder coat finish.</p>												
<p><b>Glides</b></p> 	<p><b>Glides:</b> 3/4" leveling for uneven floors. Casters are not available with Nimo Bar; this baby is too big to move around all the time.</p>												
<p><b>Coat Hooks</b></p> 	<p>Nimo Bar comes standard with 1.5" coat hooks; 3 per side on the 96" length, and 4 per side on the 120" and 144" lengths.</p> <table border="1" data-bbox="930 1501 1479 1648"> <thead> <tr> <th colspan="4">Nimo Bar Coat Hooks</th> </tr> <tr> <th>bar length:</th> <th>96"</th> <th>120"</th> <th>144"</th> </tr> </thead> <tbody> <tr> <td>hook quantity:</td> <td>3 per side, 6 total</td> <td>4 per side, 8 total</td> <td>4 per side, 8 total</td> </tr> </tbody> </table>	Nimo Bar Coat Hooks				bar length:	96"	120"	144"	hook quantity:	3 per side, 6 total	4 per side, 8 total	4 per side, 8 total
Nimo Bar Coat Hooks													
bar length:	96"	120"	144"										
hook quantity:	3 per side, 6 total	4 per side, 8 total	4 per side, 8 total										

# NIMO BAR

Dimensions, Seating & Power Options

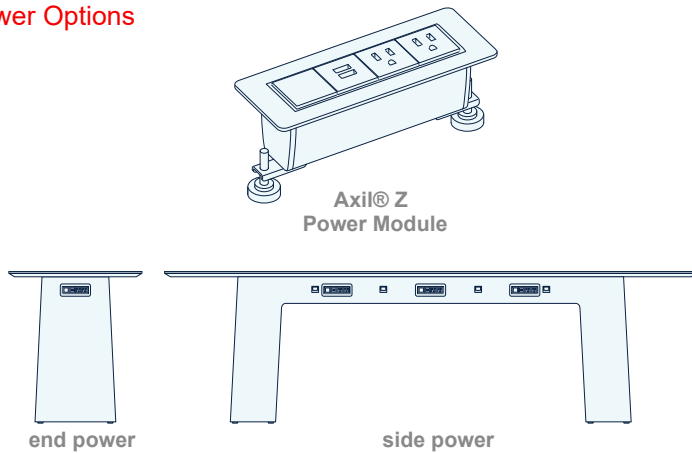
## Dimensions, Seating & Leg Clearance



Nimo Bar is 30" wide and available in 8', 10' and 12' lengths to seat 6, 8, and 10 people. Counter and standing heights available.

Nimo Bar Dimensions						
Height:	Counter Height			Standing Height		
A	34.2"			42.2"		
B	18.2"			19.2"		
C	27"			35"		
Length:	96"	120"	144"	96"	120"	144"
D	63"	87"	111"	63"	87"	111"
E	42.6"	66.6"	90.6"	42.6"	66.6"	90.6"
F	46"	70"	94"	46.8"	70.8"	94.8"
G	66.4"	90.4"	114.4"	67.2"	91.2"	115.2"
Seating:	6	8	10	6	8	10

## Power Options



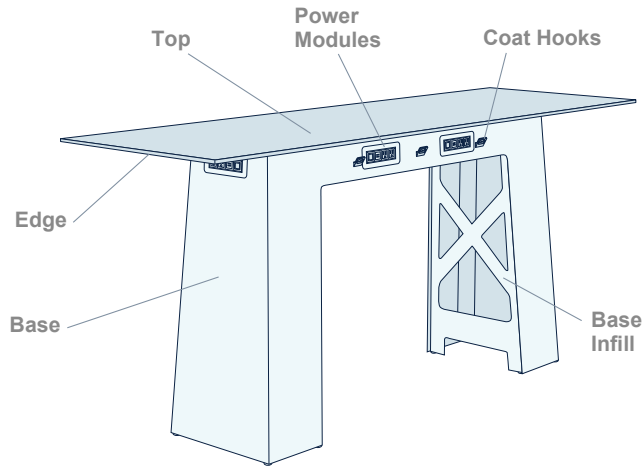
Nimo Bar is optionally equipped with **Axil® Z power modules** on the sides, ends or both (see chart below). All power modules are interconnected, resulting in one 10' corded in-feed. Each power module is configured with 2 power, 1 dual USB, and 1 open data window (other configurations are available, call for a quote). Hardwired power is also available. Power faceplates/bezels match base paint finish section.

Nimo Bar Power Units			
bar length:	96"	120"	144"
side power:	2 per side, 4 total	3 per side, 6 total	3 per side, 6 total
end power:	1 per end, 2 total		

# NIMO BAR

## Finishes & Infill Options

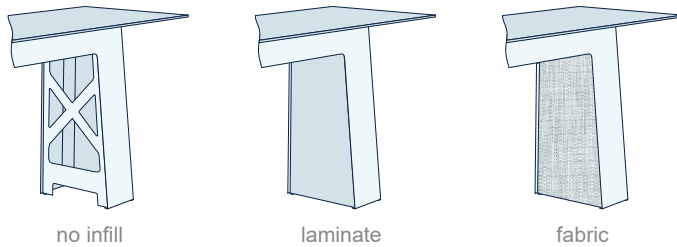
### Finish Selection



**Nimo Bar Finish Section:** There are four Nimo Bar components that require finish sections. See **izzy+ color card** to view color choices for each component. Power module faceplates and coat hooks are the same finish as the base.

Nimo Bar Finish Selection				
	Laminate	2mm ABS Edgeband	Metal Powder coat	Fabric
Top	•			
Edge		•		
Base			•	
Base Infill	•		(no infill, same as base)	•
Coat Hooks			(same as base)	
Power Modules			(same as base)	

### Base Infill Options



**Base fill options** include laminate, fabric or no fill.