

★ ★ SPECIALIZED RAILING PARTS ★ ★

RAIL COUPLERS

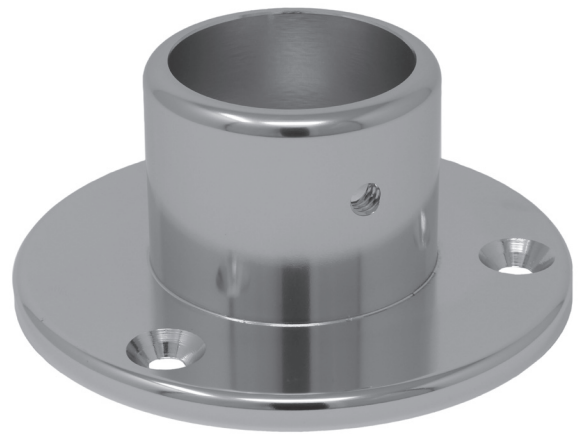
Rail couplers are designed to secure schedule 40 pipe to varying surfaces. The coupler slides over the pipe while the pipe is being positioned and mounted. Once in place, the pipe is secured with a 1/4-20 set screw on the bottom of the coupler.

All rail couplers are made of anodized aluminum with a smooth polished, bright dipped finish. The mounting holes have a standard #14 countersink.

RAIL COUPLERS	
Pipe Size	Part Number
3/4"	RC - .75
1"	RC - 1
1-1/4"	RC - 1.25
1-1/2"	RC - 1.5
2"	RC - 2



Rail Coupler



Set Screw

CUSTOM RAILING PROJECTS

G&L Materials can provide custom parts and accessories for any railing project. Call us today to discuss your project.

