

★ ★ ★ COUPLERS ★ ★ ★

PINS

All pins are machined from aluminum and are anodized with a smooth polished, bright dipped finish. They are designed to fit in schedule 40 pipe.

Pipe Size	Female*	Male	Half Pin	Male / Female Combinations*
3/4"	PF - .75W	PM - .75	PH - .75	PMF - .75
1"	PF - 1W**	PM - 1	PH - 1	PMF - 1
1-1/4"	PF - 1.25W	PM - 1.25	PH - 1.25	PMF - 1.25
1-1/2"	PF - 1.5W	PM - 1.5	PH - 1.5	PMF - 1.5
2"	PF - 2W	PM - 2		PMF - 2

* Includes stainless steel hardware and nylon washers.

** Also available in a closed end design.



Female Pin



Male Pin



Half Pin



Male/Female Combination

SPECIAL PINS

QUICK RELEASE - A male/female combination with a locking pin for 0° and 90°. Machined to fit in 1" schedule 40 pipe. Includes stainless steel hardware.

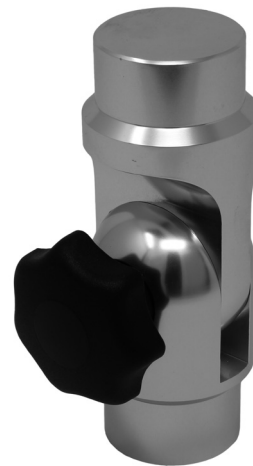
Part Number: QRPC - 90-W



Quick Release

MALE/FEMALE COMBINATION WITH KNOB - A male/female combination with an adjustable locking knob. Machined to fit in 1-1/4" and 1-1/2" schedule 40 pipe. Includes knurled plastic knob with stainless steel hardware.

Part Number: PMF - 1.25KNOB, PMF - 1.5KNOB



Male/Female
Combination with Knob

HALF PIN SET WITH KNOB - A half pin combination with an adjustable locking knob. Machined to fit in 1-1/4" and 1-1/2" schedule 40 pipe. The 1-1/4" version has pins on both sides, and the 1-1/2" version has a pin on one side and a 1-7/8" flat base on the other. Includes knurled plastic knob with stainless steel hardware.

Part Number: PH - 1.25KNOB, PH - 1.5KNOB



PH-1.25KNOB



PH - 1.5KNOB

BREAKAWAYS

All breakaways are machined from aluminum and are anodized with smooth polished, bright dipped finish on the body. They are designed to fit in schedule 40 pipe. Includes stainless steel hardware. Pivoting model also includes a knurled plastic knob.

Pipe Size	Standard	Pivoting
3/4"	PBY - .75	
1"	PBY - 1	
1-1/4'	PBY - 1.25	
1-1/2"	PBY - 1.5	PBY - 1.5 PIVOT
2"	PBY - 2	



Standard

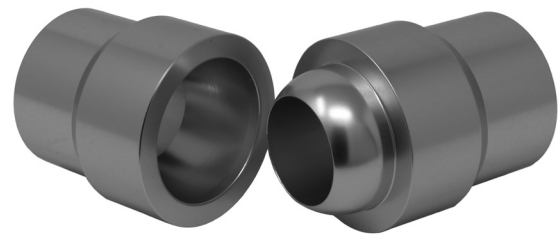


Pivoting

ALIGNMENT PINS

All alignment pins are machined from aluminum and are anodized with a smooth polished, bright dipped finish. They are designed to fit in schedule 40 pipe and be used with the hinge bracket set. Alignment pins are commonly used for folding towers.

Pipe Size	Part Number
1"	APFT - 1
1-1/4"	APFT - 1.25
1-1/2'	APFT - 1.5
2'	APFT - 2



Alignment Pins

HINGE BRACKET SET - Machined aluminum brackets with an anodized brushed finish. Three piece set with two 1/4" thick brackets and one 3/8" thick bracket. Includes 3/8" stainless steel bolt, locking nut, and nylon washers.

Part Number: HBSA - 1.75X4.25

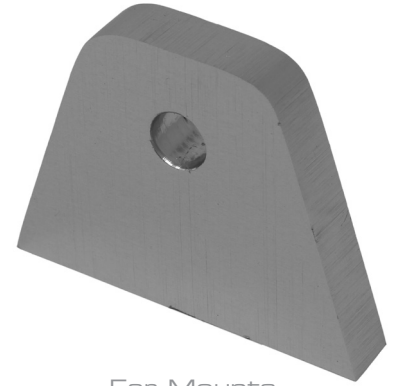


Hinge Bracket Set

EAR MOUNTS

All ear mounts are machined from aluminum and are anodized with a brushed finish. They are designed to be used with female pins for 180° travel, or other components.

Female Pin	Hole Diameter	Material Thickness	Part Number
PF - .75	1/4"	1/4"	EM - .75
PF - 1	5/16"	3/8"	EM - 1
PF - 1.25 / PF - 1.5	3/8"	1/2"	EM - 2
PF - 2	17/32"	5/8"	EM - 3



Ear Mounts

TOWER BOSSES

All tower bosses are machined from aluminum and are anodized with a clear, bright dipped finish. They are threaded for 3/8-16 hardware. Tower bosses are commonly used with a half pin for removable tower shades and pivoting backrests

Diameter	Length	Part Number
1-5/16"	1-1/4"	TSB - 102
	4"	TSB - 103
1-5/8"	2"	TSB - 104
1-7/8"	2"	TSB - 105



Tower Boss

SLEEVES

All sleeves are made from aluminum and are available in an anodized brushed or polished, bright dipped finish. They are designed to fit schedule 40 pipe.

Pipe Size	Length	Brushed - Anodized	Polished - Anodized
1"	6"	SLB - 1X6	SL - 1X6
1-1/4"	6"	SLB - 1.25X6	SL - 1.25X6
	8-1/2"	SLB - 1.25X8.5	SL - 1.25X8.5
	10"	SLB - 1.25X10	SL - 1.25X10
1-1/2"	6"	SLB - 1.5X6	SL - 1.5X6
	8-1/2"	SLB - 1.5X8.5	SL - 1.5X8.5
	10"	SLB - 1.5X10	SL - 1.5X10
	12"	SLB - 1.5X12	SL - 1.5X12
2"	6"	SLB - 2X6	SL - 2X6
	8"		SL - 2X8
	10"	SLB - 2X10	SL - 2X10



Sleeve

SPLIT CLAMPS

All split clamps are machined from aluminum and are anodized with a brushed, bright dipped finish. They are designed to fit schedule 40 pipe. For sizes 1-1/2" and above, the wall thickness is increased for added strength. Includes stainless steel hardware.

Pipe Size	Length	Part Number
3/4"	2"	COS-.75
1"	2"	COS-1
1-1/4"	2-1/8"	COS-1.25
1-1/2"	2-1/2"	SC1.5X2.5HW
	4"	SC1.5X4HW
2"	4"	SC2X4HW
2-1/2"	5"	SC2.5X5HW*

*Polished Finish



1-1/2" and above



1-1/4" and below

PIPE ALIGNERS

All pipe aligners are made from mill finish aluminum. They are designed to improve the joint strength and weld gap between sections of pipe.

Size	Length	Part Number
3/4"	2"	PA - .75
1"	2"	PA - 1
1-1/4"	3"	PA - 1.25
1-1/2"	5"	PA - 1.5
2"	5"	PA - 2



Pipe Aligner