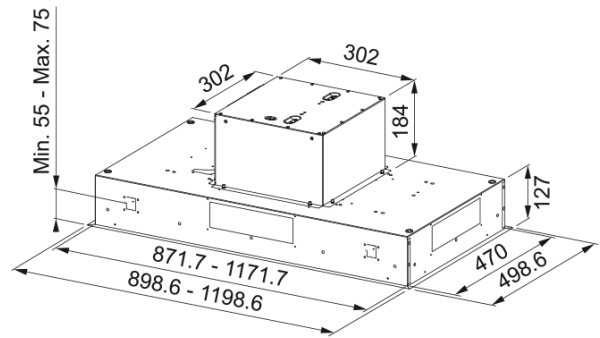


HOOD FCAS A90 XS FRANKE | 350.0657.264



Technical Data

Product Information

Hood category	Ceiling
Finish	Stainless Steel

Dimensions

Width in mm	900.0
Diam. air outlet	150

Energy specifications

Plug type	No plug
Annual energy consumption AEC	59.6
F. dynamic efficiency class	A
Light Efficiency Class	A
Grease filtering efficiency cl	E
Motor voltage	220-240V 50-60Hz
Motor Gr comm.name	SP A+
Number of motor	1

Installation

Installation	Island
--------------	--------

Performance

Speed	1
Flow (m ³ h)	290.0
Press. max	460.0
Watt	150.0
Noise level (db)	48.0
Speed	2
Flow (m ³ h)	430.0
Press. max	550.0
Watt	200.0
Noise level (db)	56.0

Features

Speed	3
Flow (m³h)	610.0
Press. max	590.0
Watt	240.0
Noise level (db)	63.0
Speed	BOOST
Flow (m³h)	770.0
Press. max	600.0
Watt	250.0
Noise level (db)	68.0

Product specifications

Air quality sensor	Yes
Energy efficiency class	A

Article Number

Product brand	FRANKE
Model range	AQ SENSE

Properties

Number of lamp	2
Lamp type	Led Bar Velo 4000K
Remote control	Yes
Waterproof	No
UI Type	Push button
Speed number	See setting file
Speed setting	3+i
24h	Timed
Delay	Yes 30'
Sensor self start	Yes
WI-FI	Yes
Filter typology	Cassette
Type of filter	Aluminium
Charcoal filter	No