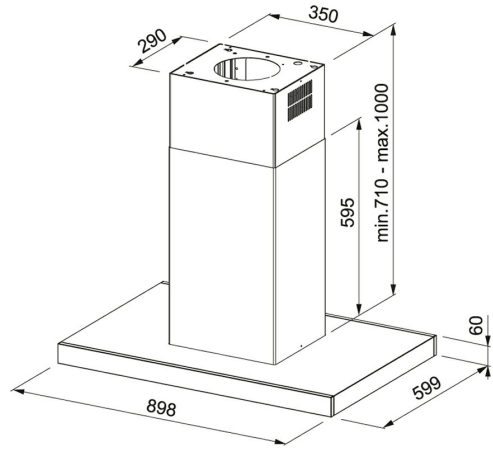




Crystal Stainless Steel-Glass Black | 325.0518.709

FAMILY : Hoods | SERIE : Crystal | INSTALLATION TYPE : Island | PRODUCT LINE : Crystal | MODEL : FCR 925 I TC BK XS
 LED | FINISH : Stainless Steel-Glass Black



TECHNICAL DATA	
m³/h Int. (IEC 61591)	685-M3/H
m³/h max (IEC 61591)	610 m3/h
m³/h min. (IEC 61591)	315 m3/h
Max. noise level ***(dbA)	67 dB(A)
Min. noise level ***(dbA)	54 dB(A)
Power (W)	250 W
Pressure* (Pa)	500.00 Pa
Brightness	LEDS-4X1W
Type of control	Electronic touch control
Int. noise level ***(dbA)	70 dB(A)
Pipe outlet	Ø 150 mm (Ø 120 mm reduction supplied)
Dimensions	900
Energy Class	D

FEATURES			
3±	3 Speed + Intensive		Timer
			Filtering Function
NEW	New		