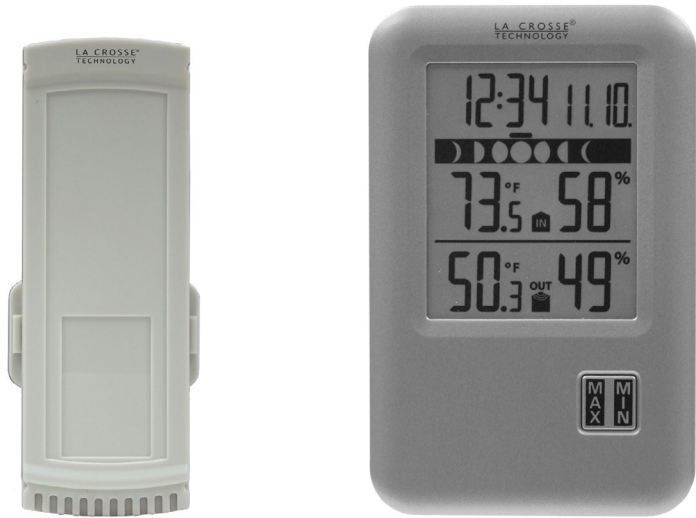


WIRELESS WEATHER STATION WITH MOON PHASE

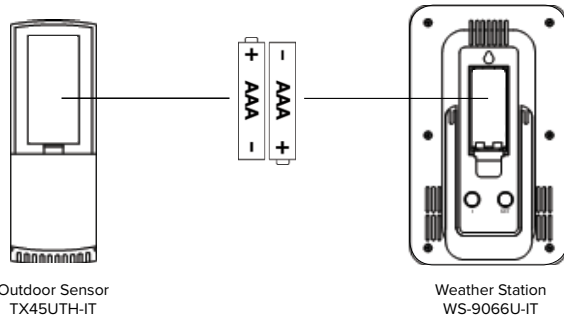


MODEL: WS-9066U-IT
DC: 122118

FAQS can be found under the Support tab here: bit.ly/ws-9066u-it

POWER UP

1. Insert 2-AAA batteries into your Outdoor Sensor.
2. Insert 2-AAA batteries into your Weather Station.
3. Adjust time and date settings on the station.



4. Once the Outdoor Sensor is reading to your station, place it outside in a shaded location.

Watch sensor mounting video: bit.ly/TH_SensorMounting

RESTART

If your outdoor sensor readings are showing dashes, perform a Basic Restart. Steps for this are covered here: bit.ly/LaxTech_BasicRestart

SETTINGS

1. Hold the SET button to enter the Settings Menu.
2. Use the PLUS (+) button to adjust and SET button to confirm and move to the next setting.

Settings Menu order:

- 12/24 Hour Time
- Hour
- Minutes
- Year
- Month
- Date
- Fahrenheit/Celsius

Note: Calendar will display as Month/Date when 12 Hour Time is selected and Date/Month when 24 hour time is selected.

Note: Weekday sets automatically as Year, Month and Date are set.

MOON PHASE

The Moon Phase is based on the lunar calendar, and therefore is controlled by the time and date set on your weather station. The bar indicates current Moon Phase.



MIN/MAX READINGS

View:



Press the MAX/MIN button to toggle through Indoor MIN, Indoor MAX, Outdoor MIN, & Outdoor MAX temperature records.

Reset:

Hold the MIN/MAX button for 3 seconds to reset all the Indoor & Outdoor temperatures at one time.

The Minimum and Maximum Temperature readings are a running record from startup. Reset records daily for 24 hour MIN/MAX values.

LOW BATTERY INDICATOR

- When Battery Indicator  shows next to your Outdoor Temperature, replace batteries in your Outdoor Sensor.
- When Battery Indicator  shows next to your Indoor Temperature replace batteries in your Weather Station.

SENSOR WEATHER SHIELD-NOT INCLUDED

- The optional Sensor Weather Shield is designed to protect your outdoor sensor from rain and snow.
- This shield will offer limited protection from the sun's heat.
- Optional purchase at: bit.ly/925-1418



WE'RE HERE TO HELP!

If you require additional support, call our friendly customer support team based out of La Crosse, Wisconsin.

Phone: 1.608.782.1610

Or fill out our online support request form here: bit.ly/contact_techsupport

Our knowledgeable customer support team is available:
Monday-Friday, 8am-6pm CST.

JOIN THE CONVERSATION

Ask questions, watch detailed setup videos, and provide feedback on our social media outlets!



SPECIFICATIONS

Indoor Temperature Range: 14.1°F to +139.8°F

Indoor Humidity Range: 20%-95% RH

Outdoor Temperature Range: -39.8°F to +139.8°F

Outdoor Humidity Range: 1%-99% RH

Transmission Range: 260 feet (80 meters)

Power Requirements:

Station: 2 AAA batteries (not included)

TX45UTH Sensor: 2 AAA batteries (not included)

Battery Life:

Station: Over 12 months

TX45UTH Sensor: Over 12 months

Dimensions

Station: 3.22" L x 0.79" W x 5.00" H (8.18cm L x 2.0cm W x 12.7cm H)

TX45UTH Sensor: 1.42" L x 0.63" W x 4.04" H (3.6cm L x 1.6cm W x 10.26cm H)

WARRANTY INFO

La Crosse Technology, Ltd. provides a 1-year limited time warranty (from date of purchase) on this product relating to manufacturing defects in materials & workmanship.

For Full Warranty Details, Visit: www.lacrossetechnology.com/support

CARE + MAINTENANCE

- Do not mix old and new batteries.
- Do not mix Alkaline, Lithium, standard, or rechargeable batteries.
- Always purchase the correct size and grade of battery most suitable for intended use.
- Clean the battery contacts and also those of the device prior to battery installation.
- Ensure the batteries have with correct polarity (+ / -).
- Remove batteries from equipment that will not to be used for an extended period.
- Promptly remove expired batteries.

CANADA STATEMENT

This device complies with CNR Industry Canada license -exempt devices. Operation is subject to the following two conditions: (1) This device may not cause interference; and (2) This device must accept any interference, including interference that may cause undesired operation of the device.

FCC STATEMENT

This equipment has been tested and found to comply with the limits for a Class B digital device, pursuant to part 15 of the FCC Rules. These limits are designed to provide reasonable protection against harmful interference in a residential installation. This equipment generates, uses and can radiate radio frequency energy and, if not installed and used in accordance with the instructions, may cause harmful interference to radio communications. However, there is no guarantee that interference will not occur in a particular installation. If this equipment does cause harmful interference to radio or television reception, which can be determined by turning the equipment off and on, the user is encouraged to try to correct the interference by one or more of the following measures:

- Reorient or relocate the receiving antenna.
- Connect the equipment into an outlet on a circuit different from that to which the receiver is connected.
- Increase separation between equipment & receiver.
- Consult the dealer or an experienced radio/TV technician for help.

This device must not be co-located or operating in conjunction with any other antenna or transmitter.

Operation is subject to the following two conditions:

- (1) This device may not cause harmful interference, and (2) This device must accept any interference received, including interference that may cause undesired operation.

CAUTION!

The manufacturer is not responsible for any radio or TV interference caused by unauthorized changes or modifications to this equipment. Such changes or modifications could void the user authority to operate the equipment.

All rights reserved. This manual may not be reproduced in any form, even in part, or duplicated or processed using electronic, mechanical or chemical process without the written permission of the publisher.

This booklet may contain errors or misprints. The information it contains is regularly checked and corrections are included in subsequent editions. We disclaim any responsibility for any technical error or printing error, or their consequences. All trademarks and patents are recognized.



WARNING: This product can expose you to chemicals including styrene, which is known to the State of California to cause cancer. For more information go to: www.P65Warnings.ca.gov