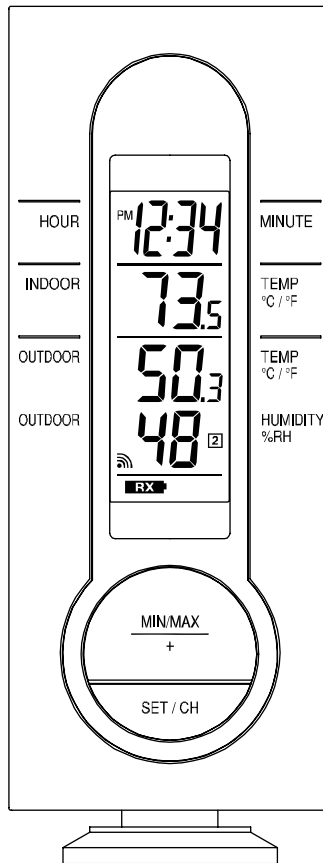


**WS-7220U-IT  
915 MHz  
Wireless Weather Station**

**Instruction Manual**

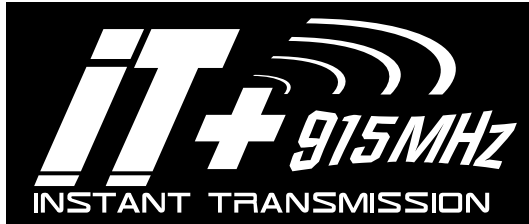


**Tomorrow's Weather Today™**

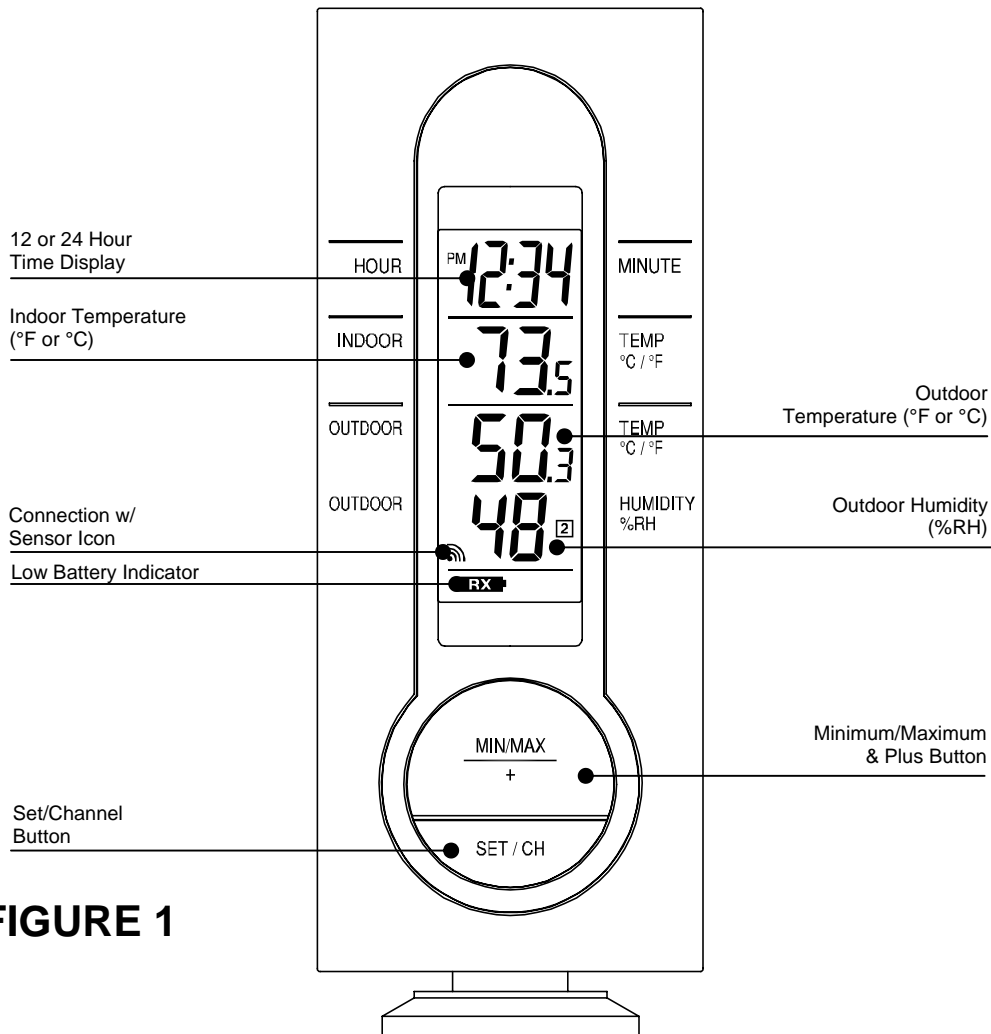
## TABLE OF CONTENTS

<b>Introduction</b> .....	<b>3</b>
<b>Inventory of Contents</b> .....	<b>4</b>
<b>Quick Set Up</b> .....	<b>4</b>
<b>Detailed Set Up</b> .....	<b>4-5</b>
Battery Installation.....	<b>4-5</b>
12 or 24 Hour Time Display.....	<b>5</b>
Time Setting.....	<b>5</b>
<b>Features</b> .....	<b>6-7</b>
Minimum & Maximum Temperature and Humidity.....	<b>6</b>
Resetting Minimum & Maximum Temperature and Humidity.....	<b>6</b>
Adding Additional Thermo-Hygro Sensors.....	<b>6</b>
Viewing & Operating with Multiple Thermo-Hygro Sensors.....	<b>6-7</b>
<b>Mounting</b> .....	<b>7</b>
<b>Troubleshooting</b> .....	<b>7-8</b>
<b>Maintenance &amp; Care Instructions</b> .....	<b>8</b>
<b>Specifications</b> .....	<b>8-9</b>
<b>Warranty Information</b> .....	<b>9-10</b>

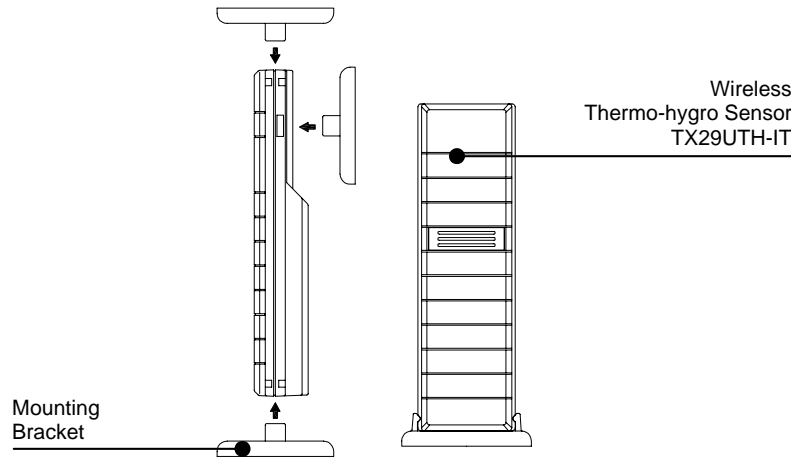
This product offers:



**INSTANT TRANSMISSION** is the state-of-the-art new wireless transmission technology, exclusively designed and developed by LA CROSSE TECHNOLOGY. **INSTANT TRANSMISSION** offers you an immediate update (every 4 seconds!) of all your outdoor data measured from the transmitters: follow your climatic variations in real-time!



**FIGURE 1**



**FIGURE 2**

### **INVENTORY OF CONTENTS**

1. Wireless Weather Station (Figure 1)
2. Wireless Thermo-Hygro Sensor (TX29UTH-IT) and mounting bracket. (Figure 2)
3. 3 each, 1/2" Philips screws.
4. One strip of double sided adhesive tape.
5. Instruction Manual and Warranty Card.

### **ADDITIONAL EQUIPMENT**

(not included)

1. 1 Philips screwdriver.
2. 4 Fresh "AA" 1.5V Alkaline Batteries.

### **QUICK SETUP**

**Hint: Use good quality Alkaline Batteries; avoid rechargeable batteries.**

1. Have the Wireless Weather Station and thermo-hygro sensor 3 to 5 feet apart.
2. Batteries should be out of both units for 10 minutes.
3. Place the batteries into the **thermo-hygro sensor first** and next into the Wireless Weather Station.
4. **DO NOT PRESS ANY BUTTONS FOR 15 MINUTES.**

In this time the Wireless Weather Station and the thermo-hygro sensor will begin to communicate with each other, and the display will show both the indoor temperature and an outdoor temperature. If the Wireless Weather Station does not display both temperatures after the 15 minutes, please retry the set up as stated above. After both indoor and outdoor temperatures are displayed for 15 minutes you can place your thermo-hygro sensor outdoors, and set your time.

The thermo-hygro sensor should be placed in a dry, shaded area (ex: under the eave of a roof). The thermo-hygro sensor has a range of 330 feet. Any walls that the signal will have to pass through will reduce distance. An outdoor wall or window will have up to 20

feet of resistance and an interior wall will have up to 10 feet of resistance. Your distance plus resistance should not exceed 330 feet in a straight line.

**NOTE:** Fog and mist will not harm your thermo-hygro sensor, but direct rain must be avoided.

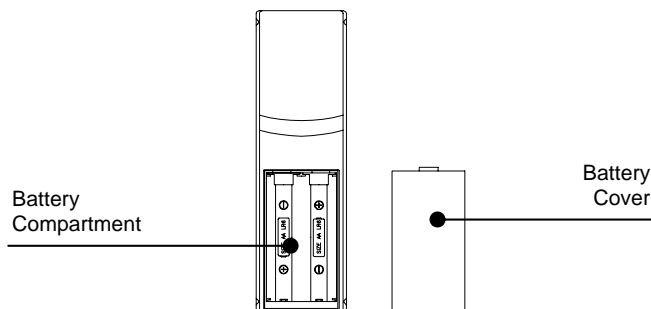
## DETAILED SETUP GUIDE

### I. BATTERY INSTALLATION (When one thermo-hygro sensor is being used)

1. First, insert the batteries to the thermo-hygro sensor (see “**A. thermo-hygro sensor**” below).
2. Within 2 minutes of powering up the sensor, insert the batteries to the Wireless Weather Station (see “**B. Wireless Weather Station**” below). Once the batteries are in place, all segments of the LCD will light up briefly. Following the indoor temperature and the time as 12:00 will be displayed. If they are not shown in LCD after 60 seconds, remove the batteries and wait for at least 60 seconds before reinserting them. Once the indoor data is displayed user may proceed to the next step.
3. After the batteries are inserted, the Weather Station will start receiving data signal from the sensor. The outdoor temperature and humidity should then be displayed on the Weather Station. If this does not happen after 2 minutes, the batteries will need to be removed from both units and reset from step 1 and the signal reception icon is no longer shown.

#### A. THERMO-HYGRO SENSOR

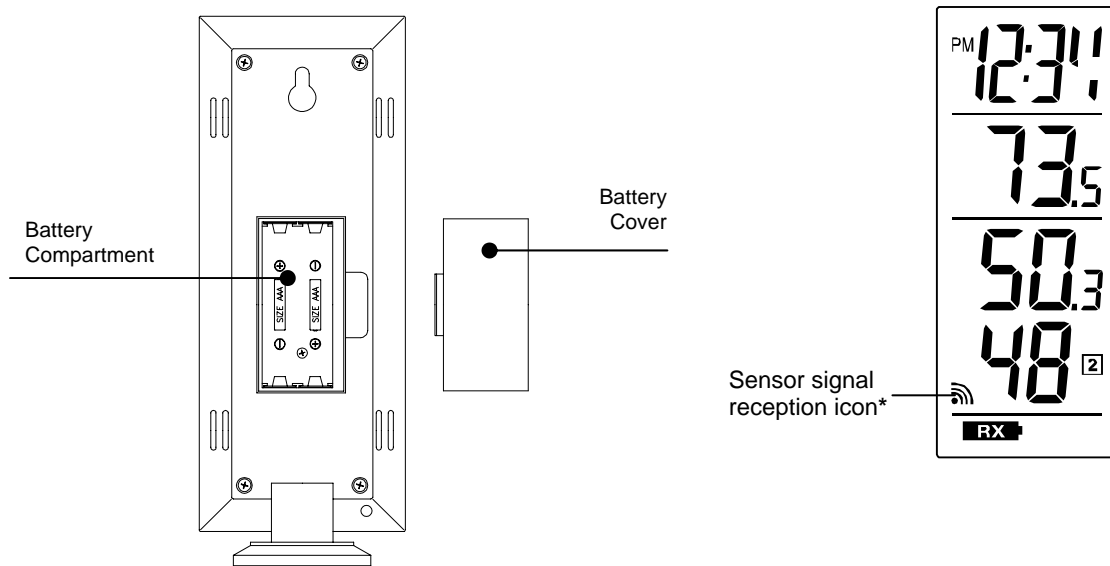
1. Remove the **Battery Cover**.
2. Observing the correct polarity, install **2 “AA” Alkaline Batteries**—make sure they do not spring free, or start-up problems may occur. Replace the **Battery Cover**.



#### B. WIRELESS WEATHER STATION

**Note:** After the batteries are installed, **DO NOT** press any buttons. This may interfere with the signals, causing temperatures to register incorrectly.

1. Remove the **Battery Cover** on the back of the Wireless Weather Station.
2. Observing the correct polarity, install **2 “AA” Alkaline Batteries**.
3. Replace **Battery Cover**.
4. Wait 15 minutes before pressing any buttons.



\* When the signal is successfully received by the Weather Station, the icon will be switched on. (If not successful, the icon will not be shown in LCD) So the user can easily see whether the last reception was successful (icon on) or not (icon off). On the other hand, the short blinking of the icon shows that a reception is being done now.

### C. SELECTING 12 OR 24 HOUR TIME DISPLAY

1. Press and hold the *SET/CH* button for about 5 seconds.
2. “12h” will begin to flash in the TIME section of the LCD
3. Press the *MIN/MAX/+* button to toggle between “12h” and “24h” time.

**Note:**

- Selecting 12 hour time will automatically select °F as your temperature unit.
  - Selecting 24 hour time will automatically select °C as your temperature unit.
4. Press and release the *SET/CH* button again to enter **Time Setting**.

### D. TIME SETTING

1. After exiting the **12/24 Hour Setting**, the hour will begin flashing in the time display.

2. Press and release the *MIN/MAX/+* button to select the desired hour.

**Note:** PM will appear to the left of the time display for PM hours. For AM hours, that area will remain blank.

3. Press and release the *SET/CH* button again, and the minutes will begin to flash.

4. Press and release the *MIN/MAX/+* button to select the desired minutes.

5. Press and release the *SET/CH* button to exit the SET UP mode.

**Note:** If no buttons are pressed for 10 seconds, the Wireless Weather Station will automatically return to the normal display.

## II. FEATURES

### A. MINIMUM AND MAXIMUM TEMPERATURES AND HUMIDITY

1. Press and release the *MIN/MAX* button, "MIN" appears at the bottom of the LCD and the recorded minimum temperatures and humidity are displayed.
2. Press and release the *MIN/MAX* button again to view maximum recorded temperatures and humidity. "MAX" appears at the bottom of the LCD and the maximum temperatures and humidity are displayed.
3. Press and release the *MIN/MAX* button once more to return to the current temperatures and humidity.

### B. RESETTING THE MINIMUM AND MAXIMUM TEMPERATURES AND HUMIDITY

To reset both the minimum and maximum temperatures and humidity—press and hold the *MIN/MAX* button for 5 seconds.

### C. ADDING ADDITIONAL REMOTE SENSORS (OPTIONAL)

The WS-7220U-IT is able to receive signals from 2 additional thermo-hygro sensors. The following are instructions for the set-up of thermo-hygro sensor units with the WS-7220U-IT. These extra sensors can be purchased through the same dealer as this unit.

1. Remove all the batteries from the receiver and sensor(s) and wait 60 seconds. During these 60 seconds, press any button 20 times to discharge any excess power.
2. Insert the batteries to the first thermo-hygro sensor.
3. Within 2 minutes of powering up the first sensor, insert the batteries to the Weather Station. Once the batteries are in place, all segments of the LCD will light up briefly. Following the indoor temperature and the time as 12:00 will be displayed. If they are not shown in LCD after 60 seconds, remove the batteries and wait for at least 60 seconds before reinserting them.
4. The outdoor temperature and humidity from the first sensor (channel 1) should then be displayed on the Weather Station. If this does not happen and the signal reception icon is not shown, after 2 minutes, the batteries will need to be removed from both units and reset from step 1.
5. Insert the batteries to the second sensor as soon as the outdoor temperature and humidity readings from the first sensor are displayed on the Weather Station.

**NOTE: You must insert the batteries into the second sensor within 30 seconds of reception of the first sensor.**

6. The outdoor temperature and humidity from the second sensor and the "channel 2" icon should then be displayed on the Weather Station. If this does not happen after 2 minute, the batteries will need to be removed from all the units and reset from step 1.
7. Insert the batteries to the third sensor as soon as the "channel 2" icon and outdoor data are displayed on the Weather Station. Then within 2 minutes, the channel 3 outdoor data from the third sensor will be displayed and the channel icon will shift back to "1" once the third transmitter is successfully received. If this is not happen, user shall restart the setting up from step 1.

**NOTE:** You must insert the batteries into the third sensor within 30 seconds of reception of the second sensor.

**IMPORTANT:** Transmission problems will arise if the setting for multiple sensors is not followed as described above. Should transmission problems occur, it is necessary to remove the batteries from all units and start again the set-up from step 1.

#### **D. VIEWING AND OPERATING WITH MULTIPLE REMOTE SENSOR UNITS**

1. To view the temperature of a different thermo-hygro sensor unit, press and release the *SET/CH* button. A shift from one “boxed” number to the next should be observed on the right side of the OUTDOOR LCD.
2. To view the Minimum/Maximum temperature & humidity: first select from which thermo-hygro sensor to read data (indicated by the “boxed” number). Pressing and releasing the *MIN/MAX* button will toggle through the minimum and maximum indoor temperature, and the minimum and maximum outdoor temperature and humidity.
3. To reset the Minimum/Maximum readings, press and hold the *MIN/MAX* button for 5 seconds.

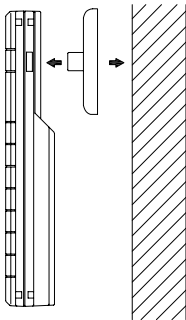
### **III. MOUNTING**

**Note:** To achieve a true temperature reading, avoid mounting in direct sunlight. We recommend that you mount the thermo-hygro sensor on an outside North-facing wall (under the eave of a house is ideal). The sending range is 330 feet; obstacles such as walls, stucco walls, concrete, and large metal objects will reduce the range. Place the Wireless Weather Station and thermo-hygro sensor in their desired locations before permanently mounting.

#### **A. THERMO-HYGRO SENSOR**

The thermo-hygro sensor can be mounted in two ways:

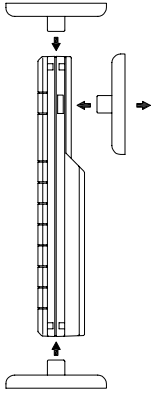
- with the use of screws, or
- using the adhesive tape.



#### **A. MOUNTING WITH SCREWS**

- 1) Remove the mounting bracket from the remote thermo-hygro sensor.
- 2) Place the mounting bracket over the desired location.
- 3) Through the three screw holes of the bracket, mark the mounting surface with a pencil.
- 4) Screw mounting bracket onto the mounting surface. Ensure that the screws are flush with the bracket.
- 5) Insert the thermo-hygro sensor into the bracket.

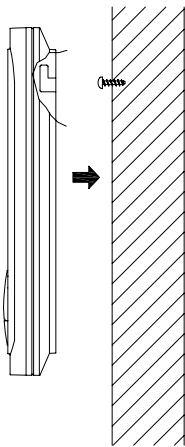




## B. MOUNTING WITH ADHESIVE TAPE

**Note:** The adhesive tape is not intended to be used as a permanent mounting solution. Only use the adhesive tape while you are positioning the Weather Station and thermo-hygro sensor.

- 1) With a nonabrasive solution, clean and dry the back of the mounting bracket and the mounting surface to ensure a secure hold. The mounting surface should be smooth and flat.
- 2) Remove the protective strip from one side of the tape.
- 3) Adhere the tape to the designated area on the back of the mounting bracket.
- 4) Remove the protective strip from the other side of the tape.
- 5) Position the remote thermo-hygro sensor in the desired location, ensuring that the Weather Station can receive the signal.



## B. WIRELESS WEATHER STATION

1. The Wireless Weather Station comes with the table stand attached to the back of the Receiver. If you wish to use the table-stand, simply place the Wireless Weather Station in an appropriate location, and pull out on the attached stand.
2. To wall mount, push the table stand flat against the Wireless Weather Station (if it isn't already flat). Fix a screw (not included) into the desired wall, and place the Wireless Weather Station onto the screw using the hanging hole on the backside. Gently pull the Wireless Weather Station down to lock the screw into place.

## TROUBLESHOOTING

**NOTE:** For problems not solved, please contact La Crosse Technology via e-mail or phone, or visit our website, [www.lacrossetechnology.com](http://www.lacrossetechnology.com)

**Problem:** The LCD is faint

**Solution:** Replace batteries

**Problem:** No outdoor temperature is displayed.

**Solution:**

- 1) Bring any units from outside, inside and place the units 3 to 5 feet apart with nothing in-between them.
- 2) Remove the batteries from all units.
- 3) Press one of the buttons on the Wireless Weather Station display at least 20 times to clear all memory. Verify that the display is blank before proceeding.
- 4) Using good quality alkaline batteries, place the batteries back into the outdoor temperature sensor; making sure they are installed according to the diagrams in the battery compartment.

- 5) Taking care not to press any buttons, reinstall the batteries in the Wireless Weather Station according to the diagram in the battery compartment.
- 6) Do not press any buttons for at least 15 minutes after installing the batteries. (This is to let the units establish a good connection.)
- 7) During the course of the 15 minutes an outdoor temperature should appear on the display. You can now put your sensor(s) back outside.

## MAINTENANCE AND CARE INSTRUCTIONS

- Extreme temperatures, vibration, and shock should be avoided to prevent damage to the units.
- Clean displays and units with a soft, damp cloth. Do not use solvents or scouring agents; they may mark the displays and casings.
- Do not submerge in water.
- Do not subject the units to unnecessary heat or cold by placing them in the oven or freezer.
- Opening the casings invalidates the warranty. Do not try to repair the unit. Contact La Crosse Technology for repairs.

## SPECIFICATIONS

Transmitting Frequency	915 MHz
<b>TEMPERATURE MEASURING RANGES</b>	
Indoor	14.1°F to 139.8°F with 0.2°F resolution.
Outdoor	-39.8 °F to 139.8°F with 0.2°F resolution.
<b>HUMIDITY MEASURING RANGE</b>	
<b>Outdoor(%RH)</b>	1% to 99%
<b>Transmitting range</b>	Maximum 330 feet (100m) open space
<b>TEMPERATURE CHECKING INTERVAL</b>	
Indoor	Every 15 seconds
Outdoor	Every 4 seconds
<b>BATTERIES—(Alkaline recommended)</b>	
Thermo-Hygro Sensor	2 x AA, 1.5V
Wireless Weather Station	2 x AA, 1.5V
<b>DIMENSION: (H x W x D)</b>	
<b>Wireless Weather Station</b>	5.90" x 2.36" x 0.81" (150 x 60 x 20.7mm)

<b>Thermo-Hygro Sensor</b>	5.05" x 1.5" x 0.83" (128.3 x 38.2 x 21.2mm)
<b>Battery life</b>	Up to 24 Months

### **WARRANTY INFORMATION**

La Crosse Technology, Ltd provides a 1-year limited warranty on this product against manufacturing defects in materials and workmanship.

This limited warranty begins on the original date of purchase, is valid only on products purchased and used in North America and only to the original purchaser of this product. To receive warranty service, the purchaser must contact La Crosse Technology, Ltd for problem determination and service procedures. Warranty service can only be performed by a La Crosse Technology, Ltd authorized service center. The original dated bill of sale must be presented upon request as proof of purchase to La Crosse Technology, Ltd or La Crosse Technology, Ltd's authorized service center.

La Crosse Technology, Ltd will repair or replace this product, at our option and at no charge as stipulated herein, with new or reconditioned parts or products if found to be defective during the limited warranty period specified above. All replaced parts and products become the property of La Crosse Technology, Ltd and must be returned to La Crosse Technology, Ltd. Replacement parts and products assume the remaining original warranty, or ninety (90) days, whichever is longer. La Crosse Technology, Ltd will pay all expenses for labor and materials for all repairs covered by this warranty. If necessary repairs are not covered by this warranty, or if a product is examined which is not in need of repair, you will be charged for the repairs or examination. The owner must pay any shipping charges incurred in getting your La Crosse Technology, Ltd product to a La Crosse Technology, Ltd authorized service center. La Crosse Technology, Ltd will pay ground return shipping charges to the owner of the product to a USA address only.

Your La Crosse Technology, Ltd warranty covers all defects in material and workmanship with the following specified exceptions: (1) damage caused by accident, unreasonable use or neglect (including the lack of reasonable and necessary maintenance); (2) damage occurring during shipment (claims must be presented to the carrier); (3) damage to, or deterioration of, any accessory or decorative surface; (4) damage resulting from failure to follow instructions contained in your owner's manual; (5) damage resulting from the performance of repairs or alterations by someone other than an authorized La Crosse Technology, Ltd authorized service center; (6) units used for other than home use (7) applications and uses that this product was not intended or (8) the products inability to receive a signal due to any source of interference.. This warranty covers only actual defects within the product itself, and does not cover the cost of installation or removal from a fixed installation, normal set-up or adjustments, claims

based on misrepresentation by the seller or performance variations resulting from installation-related circumstances.

LA CROSSE TECHNOLOGY, LTD WILL NOT ASSUME LIABILITY FOR INCIDENTAL, CONSEQUENTIAL, PUNITIVE, OR OTHER SIMILAR DAMAGES ASSOCIATED WITH THE OPERATION OR MALFUNCTION OF THIS PRODUCT. THIS PRODUCT IS NOT TO BE USED FOR MEDICAL PURPOSES OR FOR PUBLIC INFORMATION. THIS PRODUCT IS NOT A TOY. KEEP OUT OF CHILDREN'S REACH.

This warranty gives you specific legal rights. You may also have other rights specific to your State. Some States do not allow the exclusion of consequential or incidental damages therefore the above exclusion of limitation may not apply to you.

For warranty work, technical support, or information contact:

La Crosse Technology  
2809 Losey Blvd. S.  
La Crosse, WI 54601  
Phone: 608.782.1610  
Fax: 608.796.1020

e-mail:

[support@lacrossetechnology.com](mailto:support@lacrossetechnology.com)  
(warranty work)

[sales@lacrossetechnology.com](mailto:sales@lacrossetechnology.com)  
(information on other products)

web:

[www.lacrossetechnology.com](http://www.lacrossetechnology.com)

Questions? Instructions? Please visit:  
[www.lacrossetechnology.com/7220](http://www.lacrossetechnology.com/7220)

All rights reserved. This handbook must not be reproduced in any form, even in excerpts, or duplicated or processed using electronic, mechanical or chemical procedures without written permission of the publisher.

This handbook may contain mistakes and printing errors. The information in this handbook is regularly checked and corrections made in the next issue. We accept no liability for technical mistakes or printing errors, or their consequences.

All trademarks and patents are acknowledged.

**FCC ID: OMOTX29UTH (transmitter)**

**RF Exposure mobile:**

The internal / external antennas used for this mobile transmitter must provide a separation distance of at least 20 cm (8 inches) from all persons and must not be co-located or operating in conjunction with any other antenna or transmitter."

**Statement according to FCC part 15.19:**

This device complies with Part 15 of the FCC Rules. Operation is subject to the following two conditions: (1) this device may not cause harmful interference, and (2) this device must accept any interference received, including interference that may cause undesired operation.

**Statement according to FCC part 15.21:**

Modifications not expressly approved by this company could void the user's authority to operate the equipment.

**Statement according to FCC part 15.105:**

NOTE: This equipment has been tested and found to comply with the limits for a Class B digital device, pursuant to Part 15 of the FCC Rules. These limits are designed to provide reasonable protection against harmful interference in a residential installation. This equipment generates, uses and can radiate radio frequency energy and, if not installed and used in accordance with the instructions, may cause harmful interference to radio communications.

However, there is no guarantee that interference will not occur in a particular installation. If this equipment does cause harmful interference to radio or television reception, which can be determined by turning the equipment off and on, the user is encouraged to try to correct the interference by one or more of the following measures:

- Reorient or relocate the receiving antenna.
- Increase the separation between the equipment and receiver.
- Connect the equipment into an outlet on a circuit different from that to which the receiver is connected.

Consult the dealer or an experienced radio/TV technician for help