

Rain Sensor

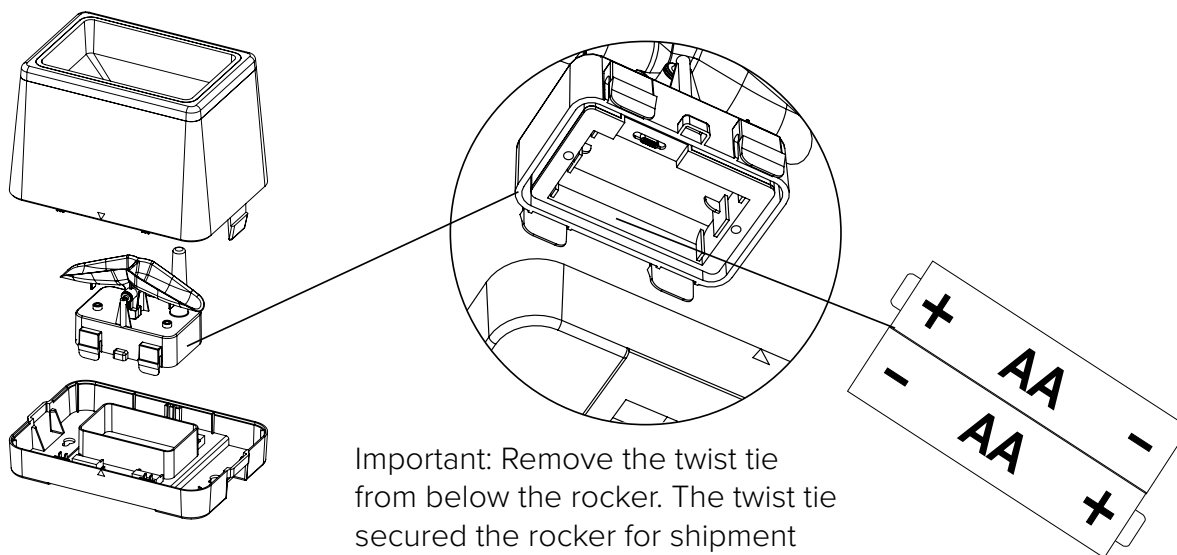


Model: LTV-R1
DC: 082217

Power

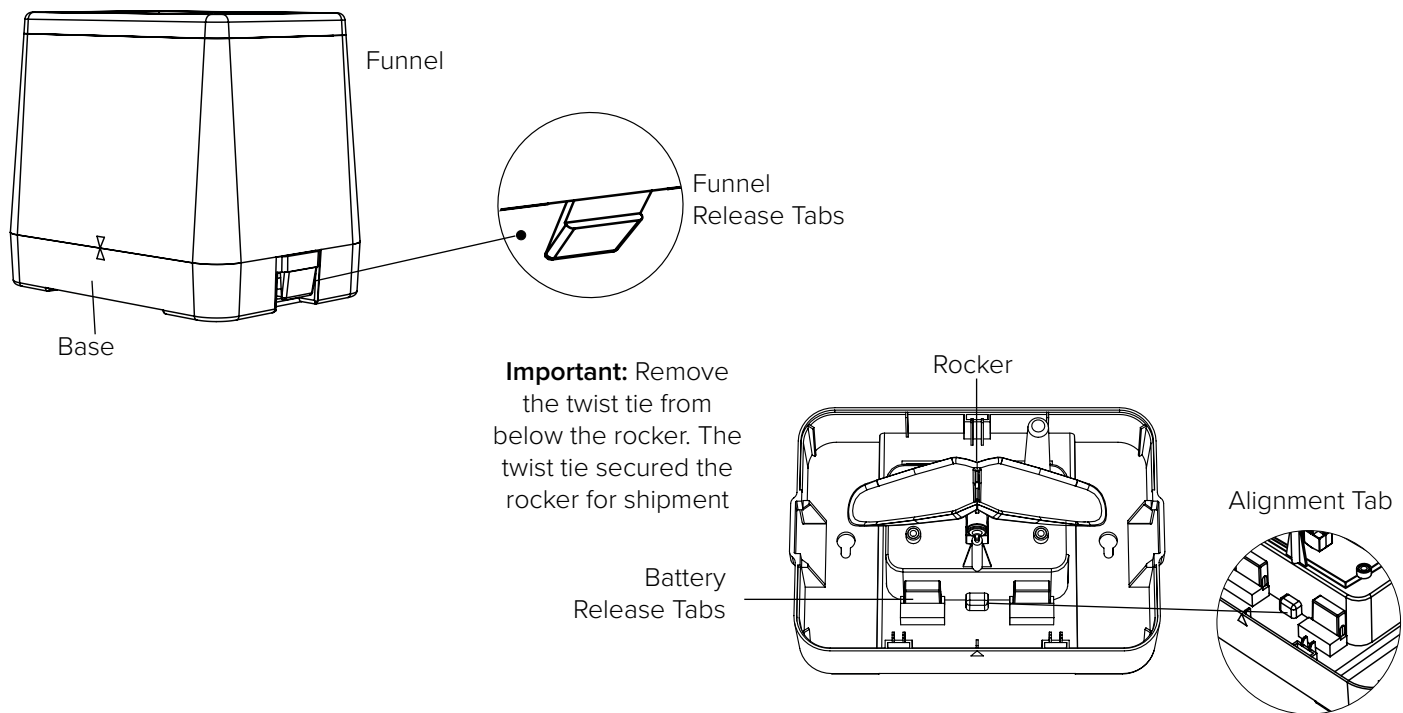
Insert 2- AA batteries into the rain sensor according to polarity.

- Press the Funnel Release Tabs on each end and lift off the funnel.
- Pinch the four Battery Release Tabs under the rocker to access battery compartment.



LTV-R1 Rain Sensor

Lets identify the parts of the rain sensor.



Important: Remove the twist tie from below the rocker. The twist tie secured the rocker for shipment

Alignment Tab: An extra piece of plastic used for repositioning the battery compartment correctly. After batteries are installed, make sure this alignment tab is facing the front of the Base to lock all four Battery Release Tabs back into place.

Position Rain Sensor

- Mount your rain sensor in an open area for a more accurate rain count.
- Placing the rain sensor on the ground provides the most accurate rainfall measurement as there is no wind shear. Unfortunately, since insects think of rain sensors as personal hotels, placing the sensor 3-6 feet above ground may deter the insects.
- This is a self-emptying sensor, but be sure your unit is not sitting in a depression that would prevent rain from draining out of the bottom
- Your rain sensor should be accessible to allow for periodic cleaning of leaves or other debris that may clog the funnel.
- Install the Rain sensor on a level platform that is stationary and has a direct line of sight to your station.
- Insert mounting screws through the holes in the base of the rain sensor. Do not over tighten.
- Avoid other wireless rain sensors as this can cause inaccuracy due to signal interference.
- The maximum wireless transmission range to the rain station is over 330 feet (100 meters) in open air, not including walls or floors.
- For video instruction, please visit: http://bit.ly/Rain_SensorMounting

Clean Rain Sensor

1. Press the Funnel Release Tabs on each end and lift off the funnel.
2. Gently remove debris or insects inside the rain sensor.
3. Clear debris from drain vents.
4. Clear debris from the rain funnel itself.
5. Reinstall the rain funnel.

Note: Do not oil the rain sensor.

Sensor ID

Standalone rain station:

Your rain sensor has a bar code and ID number. This ID number locks your sensor into your rain station. Follow the instructions in your rain station manual to delete the sensor ID for sensor replacement.

La Crosse View™ compatible system:

The rain sensor ID and bar code are recognized by the La Crosse View™ app if you are using this rain sensor as an add-on to an existing La Crosse View™ compatible system.

To add this sensor to your existing La Crosse View™ compatible system:

1. Open your La Crosse View™ app to add sensors.
2. From Main Menu - select “Devices” under “Add/Edit”
3. On Edit Devices page - select “ADD DEVICE”
4. Scan Device ID - Scan the bar code on your sensor or press inside the Device ID search box to enter your code manually. Once entered, select “Search”.
5. On Confirm Device page - Confirm the sensor image and model number are correct and select “YES”
6. On Enter Device and Location Names page - enter Device Name and select a location or enter a Location Name for your sensor. Select “DONE”.

Note: This rain sensor cannot connect to the La Crosse View app without a La Crosse View compatible station. Station’s that are La Crosse View compatible have built-in Wi-Fi capabilities that send your rain sensor’s data to the La Crosse View app. For more information about our new connected stations visit:

<http://www.lacrossetechnology.com/products/connected>

Note: When multiple rain sensors are used in close proximity false readings may occur.

Let’s Be Social!

JOIN THE CONVERSATION

Follow us on our social media outlets for the latest promotions, product support, and awesome giveaways.



Help Us, Help You!

If you have ideas for features or support solutions you'd like to see us make, please let us know! We truly want to make owning a La Crosse Technology product not only a practical experience, but also a fun one.

So email us at: store@lacrossetechnology.com

Specifications

- Rainfall: 0-393.6 inches (0-9999 mm)
- Transmission Range: 330 ft (100 m) RF 915MHz open air
- Batteries: 2-AA, IEC, LR6 batteries (not included)
- Battery Life: over 24 months with reputable batteries
- Dimensions: 6.00" L x 5.10" W x 4.21" H (152 x 130 x 107mm)

Warranty and Support

La Crosse Technology, Ltd. provides a 1-year limited time warranty (from date of purchase) on this product relating to manufacturing defects in materials & workmanship. Before returning a product, please contact our friendly customer support with questions or visit our online help:

Phone: 1-608-782-1610

Online Product Support and Registration: www.lacrossetechnology.com/support

FCC Statement

This equipment has been tested and found to comply with the limits for a Class B digital device, pursuant to part 15 of the FCC Rules. These limits are designed to provide reasonable protection against harmful interference in a residential installation. This equipment generates, uses and can radiate radio frequency energy and, if not installed and used in accordance with the instructions, may cause harmful interference to radio communications. However, there is no guarantee that interference will not occur in a particular installation.

If this equipment does cause harmful interference to radio or television reception, which can be determined by turning the equipment off and on, the user is encouraged to try to correct the interference by one or more of the following measures:

- Reorient or relocate the receiving antenna.
- Increase the separation between the equipment and receiver.
- Connect the equipment into an outlet on a circuit different from that to which the receiver is connected.
- Consult the dealer or an experienced radio/TV technician for help.

This device must not be co-located or operating in conjunction with any other antenna or transmitter.

Operation is subject to the following two conditions:

- (1) This device may not cause harmful interference, and
- (2) This device must accept any interference received, including interference that may cause undesired operation.

Caution!

The manufacturer is not responsible for any radio or TV interference caused by unauthorized changes or modifications to this equipment. Such changes or modifications could void the user authority to operate the equipment.

This equipment must be installed and operated in accordance with provided instructions and the antenna(s) used for this transmitter must be installed to provide a separation distance of at least 20 cm from all persons and must not be co-located or operating in conjunction with any other antenna or transmitter

All rights reserved. This manual may not be reproduced in any form, even in part, or duplicated or processed using electronic, mechanical or chemical process without the written permission of the publisher. This booklet may contain errors or misprints. The information it contains is regularly checked and corrections are included in subsequent editions. We disclaim any responsibility for any technical error or printing error, or their consequences.

All trademarks and patents are recognized.