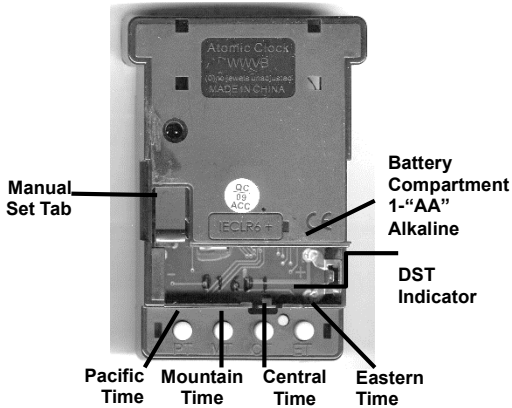


## Atomic Wall Clock



## Get Started

- Step 1:** Insert 1 fresh AA, LR6 1.5 volt ALKALINE battery according to the polarity marked on the case.
- Step 2:** Firmly press the time zone button once.
- Step 3:** Position the clock on an exterior wall that faces Ft. Collins, Colorado. During the night, your clock will automatically set itself.

**Note:** The hands will move to the 12:00, 4:00 or 8:00 position and search for the radio signal. If the radio signal is received the time will set. If the signal is **not** received the clock will stay at the 12:00, 4:00 or 8:00 position and search for the WWVB time signal on the even hours. Once the radio signal is decoded, the hands will automatically adjust to the correct time. This may take up to 5 nights.

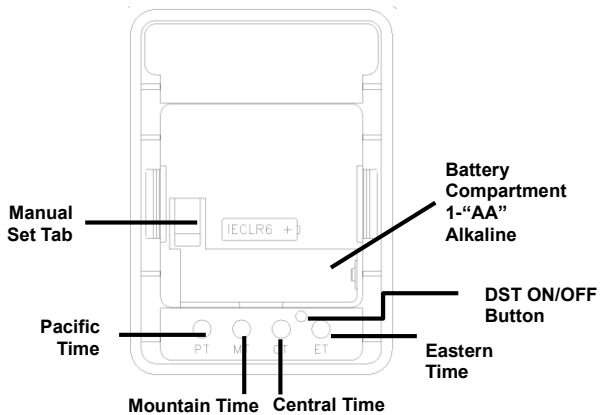
- Step 4:** The default time zone is Pacific Time. If the clocks sets itself and the hours are off, hold the correct time zone button for 5 seconds to correct.

## Position Clock

- Choose a location 6 feet or more from electronics such as cordless phones, wireless gaming systems, televisions, microwaves, routers, baby monitors, etc., which can prevent signal reception.
- Position near an exterior wall that faces Ft. Collins, Colorado for WWVB time signal reception.
- The antenna is available for signal reception when the front or back of the clock faces Colorado.

## Manual Set Time

On rare occasions in certain areas, the clock may not be able to receive the radio controlled time signal due to the strength of the signal or the geographic location. In this case, the clock can be set manually and used as a regular quartz wall clock.



**Note:** Allow up to five nights for the clock to receive the WWVB signal **before** manually setting the time.

### Set the clock manually:

1. Remove battery for 15 minutes and press the **Manual Set Tab** 20 times.
2. After 15 minutes, insert the battery and allow the clock to spin to 12:00, 4:00 or 8:00.
3. Hold the **Manual Set Tab** and the hand will spin. Continue holding until the correct time is achieved.

**Note:** You can only set the clock manually for about 2 minutes after the battery is inserted. If the clock receives the WWVB time signal, this signal will override manually set time.

## Daylight Saving Time

The National Institute of Standards and Technology and WWVB encode a special DST "bit" in the WWVB transmission for DST. Your clock will read this information and automatically advance the hands one hour in the spring and eleven hours in the fall.

**Arizona:** If you live in an area that does not recognize DST, you must press the DST button one time only to turn OFF.

## Manual WWVB Time Signal Search

For information about WWVB, visit:

[www.nist.gov/pml/div688/grp40/wwvb.cfm](http://www.nist.gov/pml/div688/grp40/wwvb.cfm)

## Signal Interference

In some cases, the signal is affected by weather conditions and electrical interferences, or the location of the clock itself may result in poor reception. If the clock has not synchronized to the correct time within a few days of activation, you may need to move the clock to a different location.

## Frequently Asked Questions

### ***Q: How long will the battery last?***

**A:** A good AA alkaline battery will last over 12 months.

### ***Q: Is there a version of analog clock with more than the four continental US times zones?***

**A:** La Crosse Technology® does not make an analog clock with more than four time zones. These time zones are PT (Pacific Time), MT (Mountain Time), CT (Central Time), and ET (Eastern Time).

### ***Q: Can I shut off the WWVB signal?***

**A:** No. If you manually set the time, when the clock receives a WWVB signal, that signal will override the manual set.

### ***Q: Is there a booster antenna to receive the WWVB signal in a difficult location?***

**A:** No, the clock cannot work with a booster antenna. Opening the clock or movement voids the warranty.

### ***Q: Can I wire a control timing circuit to the La Crosse Technology® atomic clock?***

**A:** No, the clock cannot work on a timing circuit. Opening the clock voids the warranty.

### ***Q: Why do the hands spin?***

**A:** When the hands spin about the same time every day the clock is auto-correcting the time. The hour hand should not spin more than twice around the clock.

**A:** Hands may spin if the battery is under powered or over powered. Use only Alkaline batteries in the clock.

## Troubleshooting

The wonderful advantage of owning a radio-controlled clock is that it is virtually trouble free. If the clock receives a clear time signal, it will set itself perfectly. If it does not receive a time signal, consider the following:

- **Battery:** The clock must have a fresh Alkaline battery to receive and process the time signal.
- **Location:** Try a different location, ideally near a window. Your clock should be at least six feet from computers, TVs, air conditioners, other radio-controlled clocks and other electrical appliances that cause interference.

- **Weather:** Electrical storms between you and Colorado during the night will interfere with the WWVB signal.

## Care and Maintenance

- **Do not mix old and new batteries**
- **Do not mix Alkaline, Standard, Lithium or Rechargeable Batteries**
- Do not expose to extreme temperature, vibration or shock.
- Clean with a soft damp cloth. Do not use solvents.
- The product is not a toy. Keep it out of reach of children.
- The product is not to be used for medical purpose or for public information. It is intended for home use only.
- The specs of this product may change without prior notice.
- Improper use or unauthorized opening of housing voids warranty.

## Warranty and Support Information

La Crosse Technology, Ltd. provides a 1-year limited time warranty (from date of purchase) on this product relating to manufacturing defects in materials & workmanship.

### View full warranty details online at:

[www.lacrossetechnology.com/warranty\\_info.pdf](http://www.lacrossetechnology.com/warranty_info.pdf)

### For warranty work, technical support or other information contact:

La Crosse Technology, Ltd  
2830 26<sup>th</sup> Street S.  
La Crosse, WI 54601

### Contact Support:

1-608-782-1610

[www.lacrossetechnology.com/support](http://www.lacrossetechnology.com/support)

### Product Registration:

[www.lacrossetechnology.com/support/register](http://www.lacrossetechnology.com/support/register)



## FCC Statement

This Device complies with Part 15 of the FCC Rules. Operation is subject to the following two conditions: (1) This device may not cause harmful interference, and (2) the device must accept any interference received, including interference that may cause undesired operation.

NOTE: THE MANUFACTURER IS NOT RESPONSIBLE FOR ANY RADIO OR TV INTERFERENCE CAUSED BY UNAUTHORIZED MODIFICATIONS TO THIS EQUIPMENT. SUCH MODIFICATIONS COULD VOID THE USER AUTHORITY TO OPERATE THE EQUIPMENT

All rights reserved. This handbook must not be reproduced in any form, even in excerpts, or duplicated or processed using electronic, mechanical or chemical procedures without written permission of the publisher. This handbook may contain mistakes and printing errors. The information in this handbook is regularly checked and corrections made in the next issue. We accept no liability for technical mistakes or printing errors, or their consequences.