

## WARRANTY INFO

La Crosse Technology, Ltd. provides a **1-year limited time warranty** (from date of purchase) on this product relating to manufacturing defects in materials & workmanship.

La Crosse Technology, Ltd, 2830 S. 26th St., La Crosse, WI 54601

For Full Warranty Details, Visit:

[www.lacrossetechnology.com/pages/warranty](http://www.lacrossetechnology.com/pages/warranty)

Patents: [www.lacrossetechnology.com/pages/patents](http://www.lacrossetechnology.com/pages/patents)

## CARE + MAINTENANCE

### Battery replacement instruction:

When batteries of different brand or type are used together, or new and old batteries are used together, some batteries may be over-discharged due to a difference of voltage or capacity. This can result in venting, leakage, and rupture and may cause personal injury.

- Always purchase the correct size and grade of battery suitable for the intended use.
- Always replace the whole set of batteries at one time, taking care not to mix old and new ones, or batteries of different types.
- Clean the battery contacts and those of the device prior to battery installation.
- Ensure the batteries are installed correctly with regard to polarity (+ and -).
- Remove batteries from product during periods of non-use. Battery leakage can cause corrosion and damage to this product.
- Remove used batteries promptly.
- For recycling and disposal of batteries, and to protect the environment please check the internet or your local phone directory for local recycling centers and / or follow local government regulations.

### CA WARNING:

This product can expose you to chemicals including acrylonitrile, butadiene, and styrene, which are known to the State of California to cause cancer and birth defects or other reproductive harm.

For more information, go to: [www.P65Warnings.ca.gov](http://www.P65Warnings.ca.gov)

**LA CROSSE®**  
**TECHNOLOGY**

# 14" Atomic Wall Clock



Model: WT-3143Ax1

DC: 100522

For information about WWVB, atomic time signal visit:

<http://bit.ly/AtomicTime>

## POWER UP

1. Select Time Zone and DST settings.
2. Insert one, two, or three batteries into the Battery Compartments.
3. The hands will move to the 12 o'clock position and search for the WWVB Atomic Time Signal for up to 10 minutes.
  - If no signal after 8-10 minutes, the clock will run from 12:00.
  - Allow up to 5 nights to receive this transmission, the clock will continue to search for the WWVB signal on its own.
4. For the best reception, place the clock on an exterior wall near a window with the front or back of it facing Fort Collins, CO.

Watch the setup video: [bit.ly/wallclock\\_setup](https://bit.ly/wallclock_setup)

**Note:** In certain areas, this clock may not be able to receive the WWVB reception due to signal strength or interference. In this case, your clock can be set manually until the Atomic Time Signal can be received.

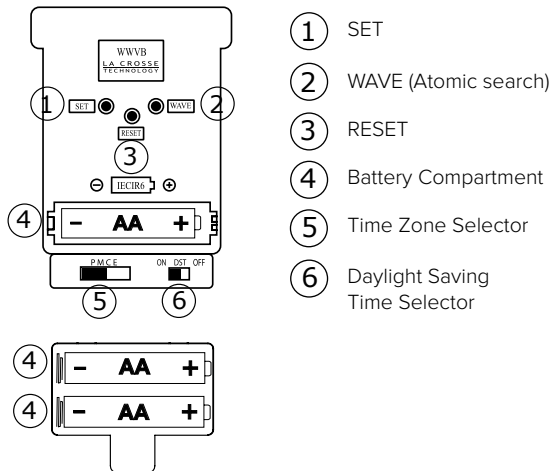
## MANUALLY SET TIME

Hold the SET button for about 3 seconds.

- Press & Hold SET to move hands quickly.
- Press & release SET to move hands by step.

**Note:** The Atomic Time Signal will override manual settings.

**Reset:** If the clock does not respond when trying to manually set your time, press the RESET button.



## SPECIFICATIONS

**Battery Requirement:** 1 AA (IEC LR6) in any compartment. Not Included.

**Battery Life:**

**1 Battery:** Up to 2 years

**2 Batteries:** Up to 4 years

**3 Batteries:** Up to 6 years

**Dimensions:** 14" Diameter

## JOIN THE CONVERSATION

Ask questions, watch detailed setup videos, and provide feedback on our social media outlets!

