

145x188mm

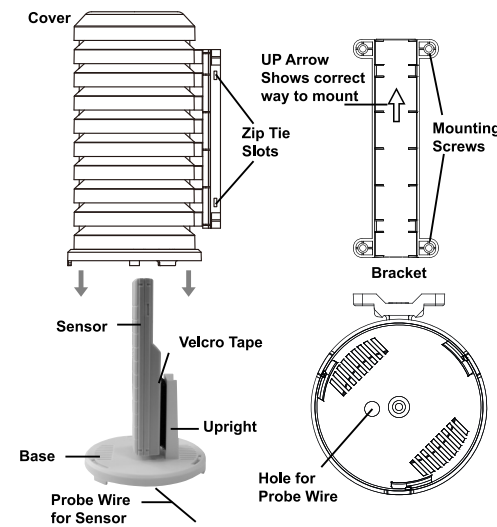
LA CROSSE®
TECHNOLOGY

SENSOR WEATHER SHIELD



The Sensor Weather Shield is designed to help protect your sensor from rain, snow, and debris. When installed properly, it may also offer limited protection against the sun's heat. Even with this added protection, we still highly recommend mounting the sensor in a shaded location for accurate temperature readings.

Model: 925-1418
DC: 080824



INSERT SENSOR (NOT INCLUDED)

1. Twist the cover clockwise to remove the base.
2. Attach the Velcro tape to the sensor and to the upright on the base. This prevents tipping.
3. Alternately, secure the sensor with a zip tie.
4. If your sensor includes a probe, be sure the probe wire fits through the round hole in the base.
5. Place cover over sensor and base. Twist counterclockwise to lock into place. Sensor must fit entirely in the sensor shield to be protected.
6. Check that sensor is within range and reporting to your station before mounting in selected location.

Note: This is only the Sensor Shield. Sensors and probes are sold separately.

For sensor compatibility visit:
<https://www.lacrossetechnology.com/925-1418-sensor-weather-shield>

MOUNT SENSOR SHIELD

Mount to a flat surface:

- Twist the cover clockwise to remove the base.
- Place one long screw through the center hole of the base.
- Tighten until the head of the screw is flat with the base.

Mount to a wall or post:

- Slide the mounting bracket down and remove from the cover.
- Take note of the UP ARROW on the back of the bracket.
- Find a shaded location and attach the bracket (arrow UP) with the four screws (included), or with the two zip ties (included). **Note:** Allow room to slide cover onto bracket.
- Slide the shield down onto the bracket.

DIMENSIONS:

7.00" H x 3.73" W x 3.98" D (177.8 x 94.74 x 101.9 mm)

Warranty and Support

La Crosse Technology Ltd. provides a 1-year limited-time warranty on this product relating to manufacturing defects in materials & workmanship. Per the Song-Beverly Act, in the state of California, the warranty on this item becomes effective on the date of delivery.

La Crosse Technology, Ltd, 2830 S. 26th St., La Crosse, WI 54601

For Full Warranty Details, Visit: www.lacrossetechnology.com/pages/warranty

Patents: www.lacrossetechnology.com/pages/patents

If you require additional support, get in touch with our friendly customer support team based out of La Crosse, WI.

Phone: 1.608.782.1610

Online: bit.ly/contact_techsupport

Our knowledgeable customer support team is available:
Monday-Friday, 8am-6pm CST.