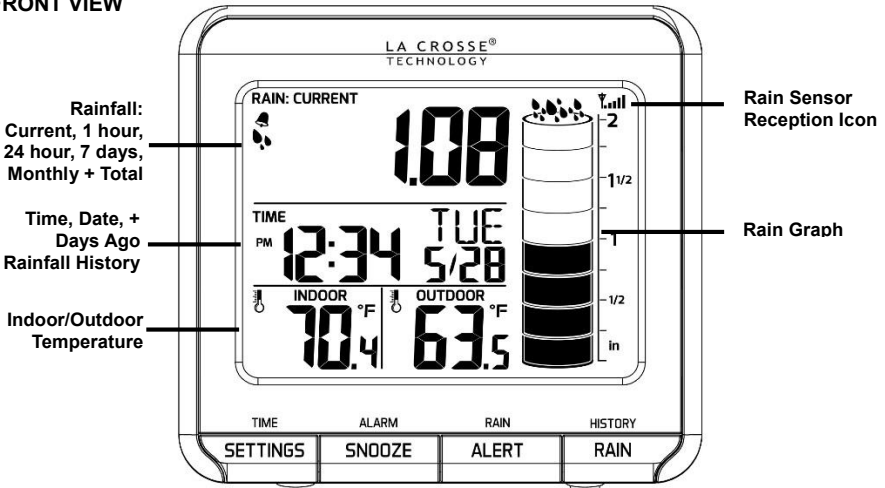


WIRELESS RAIN STATION

FRONT VIEW



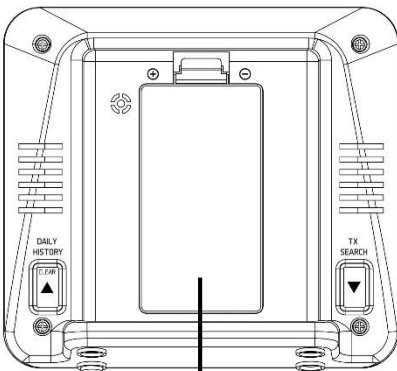
BUTTONS FRONT



BUTTONS BACK

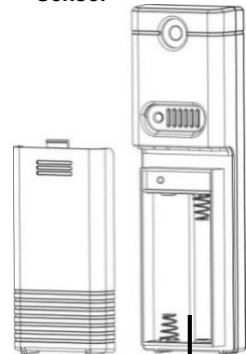


BACK VIEW



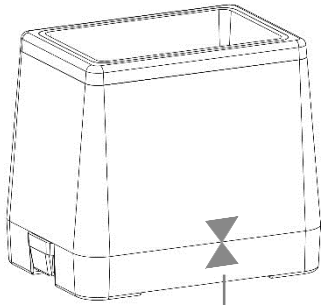
Battery Compartment
2-AA Batteries

TX17T Temperature Sensor



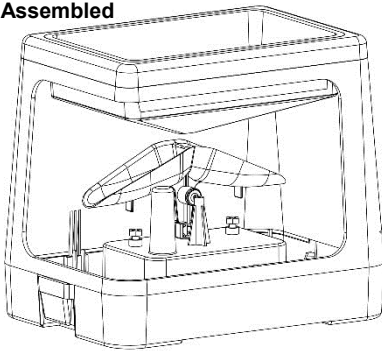
Battery Compartment
2-AA Batteries

TX17R Rain Sensor



Alignment
Arrows

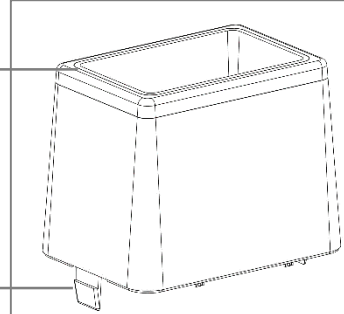
Inside View
Assembled



Inside View
Disassembled

Funnel
Portion

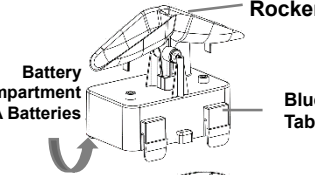
White
Tabs



Rocker

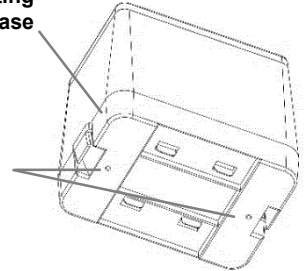
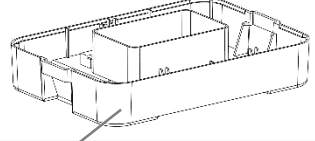
Battery
Compartment
2-AA Batteries

Blue
Tabs



Mounting
Base

Mount
with
screws



Get Started

Step 1: Insert 2 "AA" LR6 batteries (not included) into the TX17T Temperature sensor according to polarity.

Step 2: Insert 2 "AA" LR6 batteries (not included) into the TX17R Rain sensor according to polarity. (See instructions on the next page).

Step 3: Insert 2 "AA" LR6 batteries (not included) into the 724-1710 rain station, according to polarity.

Restart: If dashes are displayed for outdoor temperature or rain after 3 minutes, remove the batteries from both sensors and the rain station, then press any button 20 times. After 15 minutes, start again at step 1.

Install Batteries in the Rain Sensor

1. Press the white tabs on each end of the rain sensor and lift off funnel portion.
2. The battery compartment is under the rocker. Firmly squeeze all four blue tabs and lift battery compartment off of base and turn upside down.
3. Insert 2 "AA" Alkaline batteries into the rain sensor.
4. Position the battery compartment over base and press down so all four blue tabs lock in place.
5. Match the UP arrow on the front of the blue base and the DOWN arrow on the front of the white funnel portion.
Note: It is important to match up the arrows as the rocker is offset by the antenna; the funnel needs to center over the rocker.
6. Press the funnel portion onto the base until the white tabs lock back into place.

Set Time (12/24, Calendar, Time, Language, Temperature & Rain Units)

- Hold the **SETTINGS** button to enter time set mode.
- Press the **▲/CLEAR** and **▼** buttons (back) to adjust a value.
- Press the **SETTINGS** button to confirm and move to next item.



Settings order:

1. 12/24 hour
2. Year
3. Month
4. Date
5. Hour
6. Minute
7. Language (English/Spanish/French)
8. °F/°C
9. mm/in (millimeters or inches for rain)

Note: The rain station will default out of set mode when no buttons are pressed for 20 seconds.

Time Alarm

- Press the **SNOOZE** button to view alarm time and confirm adjustments in alarm set mode.
- While in alarm mode, hold the **SNOOZE** button until rain station beeps, to enter alarm set mode.
- Press the **▲/CLEAR** and **▼** buttons to adjust a value.



Setting order: 1. Hour 2. Minute

Note: The rain station will default out of alarm set mode if no buttons are pressed for 20 seconds.

Deactivate Time Alarm

- The alarm automatically activates when the alarm is set.
- Press the **SNOOZE** button to deactivate the time alarm.
- The bell icon will disappear.

Snooze (Temporarily silences alarm)

- When the alarm sounds, press the **SNOOZE** button to silence the alarm for 10 minutes.
- The snooze function may be repeated.
- Hold the **SNOOZE** to exit snooze mode.
- Press any other button to stop the alarm for one day.

ALARM

SNOOZE

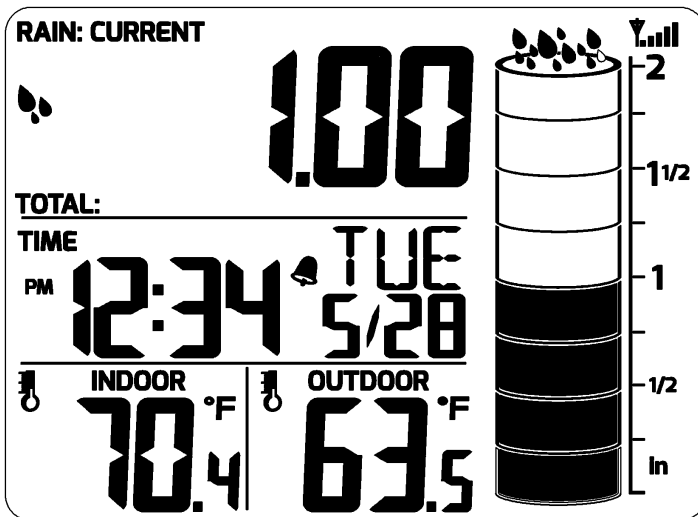
Note: This station has a crescendo alarm that will sound for 2 minutes, then shut off completely.

Rain Readings and Cylinder Graph

This detailed station offers rain readings with a corresponding cylinder graph. Press and release the **RAIN** button to view different rain readings in the Rain Window:

HISTORY

RAIN



- **CURRENT:** This measures from the start of rainfall until there is no rain accumulation for 30 minutes. The display will reset to zero when no rain has fallen for 30 minutes.
- **1 HR:** The rainfall accumulated in the last 1-hour increment. Resets to zero at the top of each hour.
Example: If rain didn't start until 5:50, then 5:50 to 5:59 is considered within the 5:00 to 6:00 hour rain increment. The data from 6:00 to 7:00 will be the next hour.
- **24 HR:** Based on the past 24 1-hour increments. This is a running total that changes hourly.
- **7 DAYS:** Based on the last 7 24-hour readings. This is not a subject to the calendar. Be sure time and date are set.
- **MONTH:** Total rainfall from the first day of the month to last day of the month.
- **TOTAL:** Total rainfall since powered on or reset.

Note: As time passes without rain, the 1 hour, 24 hour, and 7 day rain totals will count down to zero.

Clear Rainfall Readings

1. Press the **RAIN** button to select the value you wish to clear.
2. Hold the **▲/CLEAR** button (on back) to clear a value.
3. Each value will need to be cleared individually.



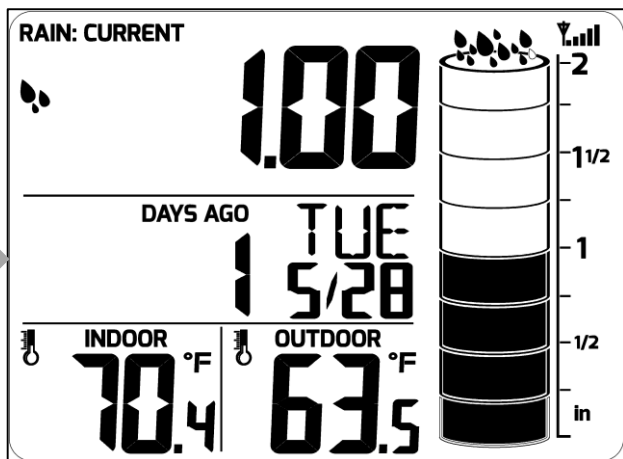
Rainfall Daily History Record (up to 365 days)

View rainfall history by toggling back one day at a time or select a date to view.

One day at a time

1. Press the **▲/CLEAR** button to view the rain history when DAYS AGO heading and the date appear.
2. Press **▲/CLEAR** button repeatedly, to scroll back one day at a time to view the rainfall daily record (365 days of record history maximum)

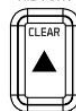




Date Search

1. Press the ▲/CLEAR button to view the rain history when DAYS AGO heading and the date appear.
2. In DAYS AGO mode, hold the ▲/CLEAR button until the rain station beeps. The Year will flash.
3. Press the ▲/CLEAR and ▼ buttons to select the Year, Month and Date to view the rainfall.
4. Press **SETTINGS** button to confirm each setting.

DAILY HISTORY

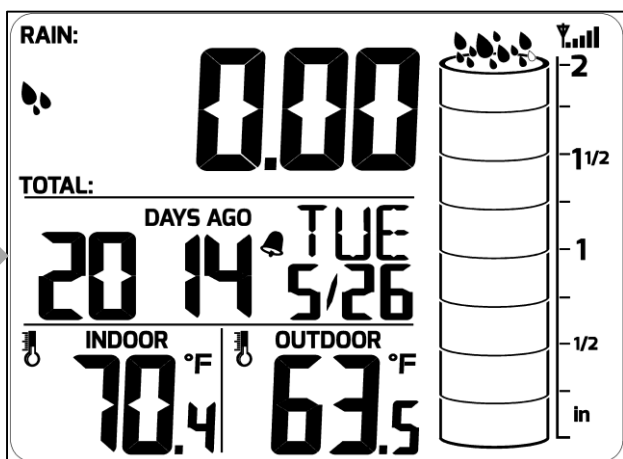


Settings order: 1. Year 2. Month 3. Date

TIME

SETTINGS

If no buttons are pressed for 20 seconds, the rain station will default to normal mode.



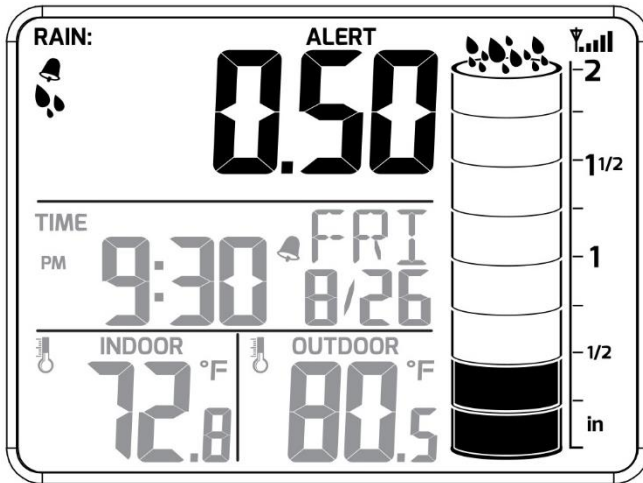
Clear Rainfall Daily History Records

The 365 day rain history may remain during a battery change to the rain station. The Current, 1 hour, 24 hour, 7 days, month and total rain will be erased.

- To clear these records, after inserting batteries hold the **▲/CLEAR** and **▼** buttons together.

Rainfall Alert (24 Hour)

- Press the **ALERT** button to enter Rain Alert Mode.
- In alert mode, hold the **ALERT** button until the rain station beeps to enter set mode for the 24 hour rainfall alert.
- Press the **▲/CLEAR** and **▼** buttons to adjust the alert value.
- Press the **ALERT** button to confirm.



Activate/Deactivate Rainfall Alert

- In alert mode press and release the **ALERT** button to activate or deactivate the alert.
- The alert bell icon will show when active.
- When the alert value is reached, the alarm will beep for 5 seconds, then once each minute.
- Press any button to stop the alert from sounding.



Search for Rainfall Sensor

- Hold the **RAIN** button for 5 seconds to search for the rain sensor.
- The strength signal icon will animate until the sensor signal is received or for 3 minutes if no signal is available.



Note: The Time Alarm has priority over RF (radio frequency) reception, if alarm sounding is set for during a search.

Search for Temperature Sensor

- Hold the ▼ button for 5 seconds to search for the outdoor temperature sensor.



Note: The Time Alarm has priority over RF (radio frequency) reception, if alarm sounding is set for during a search.

Low Battery Icon

A low battery icon displayed indicates low battery for the rain station or one of the sensors.

- If the icon is displayed in the Outdoor Temperature section, replace batteries in the temperature sensor.
- If the icon is displayed in the Rain section, replace batteries in the rain sensor.
- If the icon is displayed in the Date section, replace batteries in the wireless rain station.



Rain and Temperature Sensor Positioning

Rain Sensor TX17R

- Mount in an open area for a more accurate rain count.
- Install the Rain sensor on a level platform that is stationary.
- Insert two mounting screws (not included) through the holes in the base of the rain sensor.
- Ideally, the Rain sensor should be mounted at least 6 ft in the air and have a direct line of sight to the display.

- The rain sensor should be accessible to allow for periodic cleaning of debris or insects.
- The maximum wireless transmission range to the rain station is over 300 feet (91 meters) in open air, not including walls or floors.

Temperature Sensor TX17T

- Mount the Outdoor Sensor on a north-facing wall or in any well shaded area. Under an eave or deck rail is preferred.
- Insert one mounting screw (not included) through the hole at the top of the outdoor sensor.
- The maximum wireless transmission range to the rain station is over 300 feet (91 meters) in open air, not including walls or floors.
- Be sure the outdoor sensor is mounted vertically.

Weather Station Care & Maintenance

- **Do not mix old and new batteries**
- **Do not mix Alkaline, Standard, Lithium or Rechargeable Batteries**
- Always purchase the correct size and grade of battery most suitable for the intended use.
- Replace all batteries of a set at the same time.
- Clean the battery contacts and also the contacts on the device prior to battery installation.
- Ensure the batteries are installed correctly with regard to polarity (+ and -).
- Remove batteries from equipment that is not intended to be used for an extended period of time.
- Remove expired batteries promptly.
- Do not expose to extreme temperature, vibration or shock.
- Clean with a soft damp cloth. Do not use solvents or scouring agents.
- The product is not a toy. Keep it out of reach of children.
- The product is not to be used for medical purpose or for public information. It is intended for home use only.
- The specs of this product may change without prior notice.
- Improper use or unauthorized opening of housing voids warranty.
- If the product is not working properly, change the batteries.

Specifications

Indoor

Temperature Range: +14°F to +122°F (-10°C to 50°C)

Outdoor

Temperature Range: -40°F to 148°F (-40°C to 70°C)

Distance: Over 300 ft. (91 meters)
RF 915MHz (open air)

Rain

Range: Up to 99.99 inches (999.9 mm)

Distance: Over 300 ft. (91 meters)
RF 915MHz (open air)

Power

Rain Station: 2-"AA", IEC, LR6 batteries (not included)

TX17T Outdoor Sensor: 2-"AA", IEC, LR6 batteries (not included)

TX17R Rain Sensor: 2-"AA", IEC, LR6 batteries (not included)

Battery Life

Rain Station: Battery life is up to 12 months when using reputable battery brands

TX17T Outdoor Sensor: Battery life is up to 12 months when using reputable battery brands for both Alkaline and Lithium batteries

TX17R Rain Sensor: Battery life is up to 12 months when using reputable battery brands for both Alkaline and Lithium batteries

Dimensions

Rain Station: 4.27"L x 1.48"W x 3.88"H
(108 x 38 x 99 mm)

TX17T Outdoor Sensor: 1.57"L x 0.79"W x 5.12"H
(40 x 20 x 130mm)

TX17R Rain Sensor: 6.00"L x 5.10"W x 4.21"H
(152 x 130 x 107mm)

Warranty and Support Information

La Crosse Technology, Ltd. provides a 1-year limited time warranty (from date of purchase) on this product relating to manufacturing defects in materials & workmanship.

Before returning a product, please contact our friendly customer support with questions or visit our online help (manuals and FAQs):

Phone:

1-608-782-1610

Online Product Support:

www.lacrossetechnology.com/support

Product Registration:

www.lacrossetechnology.com/support/register

View full warranty details online at:

www.lacrossetechnology.com/warranty_info.pdf

Warranty Address:

La Crosse Technology, Ltd
2830 S. 26th St.
La Crosse, WI 54601

Protected under U.S. Patents:

5,978,738 | 6,076,044 | RE43903



FCC Statement

This equipment has been tested and found to comply with the limits for a Class B digital device, pursuant to part 15 of the FCC Rules. These limits are designed to provide reasonable protection against harmful interference in a residential installation. This equipment generates, uses and can radiate radio frequency energy and, if not installed and used in accordance with the instructions, may cause harmful interference to radio communications. However, there is no guarantee that interference will not occur in a particular installation. If this equipment does cause harmful interference to radio or television reception, which can be determined by turning the equipment off and on, the user is encouraged to try to correct the interference by one or more of the following measures:

- Reorient or relocate the receiving antenna.
- Increase the separation between the equipment and receiver.
- Connect the equipment into an outlet on a circuit different from that to which the receiver is connected.
- Consult the dealer or an experienced radio/TV technician for help.

This device must not be co-located or operating in conjunction with any other antenna or transmitter. **Operation is subject to the following two conditions:**

**(1) this device may not cause harmful interference, and
(2) this device must accept any interference received, including interference that may cause undesired operation.**

Caution!

The manufacturer is not responsible for any radio or TV interference caused by unauthorized modifications to this equipment. Such modifications could void the user authority to operate the equipment.

All rights reserved. This manual may not be reproduced in any form, even in part, or duplicated or processed using electronic, mechanical or chemical process without the written permission of the publisher.

This booklet may contain errors or misprints. The information it contains is regularly checked and corrections are included in subsequent editions. We disclaim any responsibility for any technical error or printing error, or their consequences. All trademarks and patents are recognized.