

LA CROSSE®
TECHNOLOGY

TEXTURIZED ATOMIC DIGITAL WALL CLOCK



MODELS: 515-1419
DC: 092418

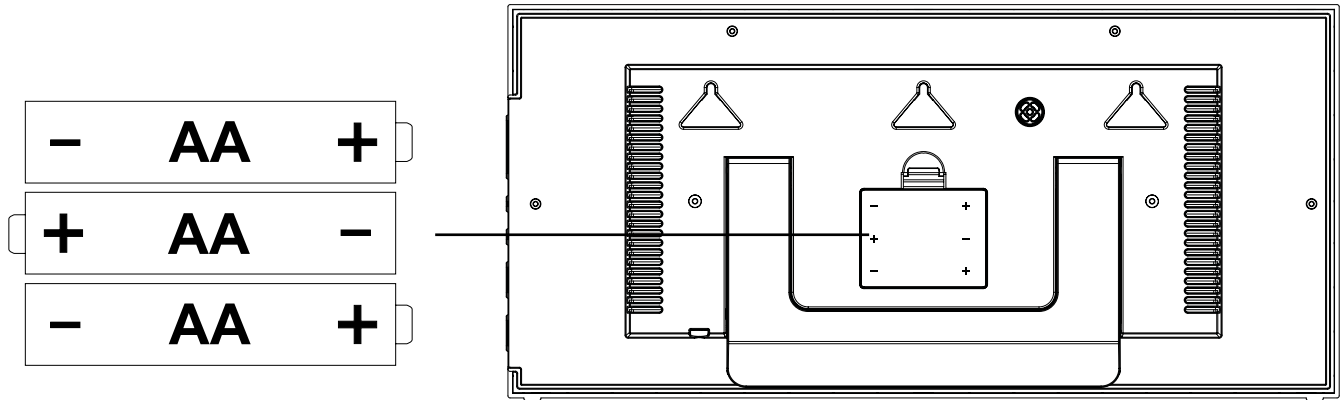
FIND MANUALS, FAQs, AND MORE UNDER THE
SUPPORT TAB HERE: bit.ly/515-1419

TABLE OF CONTENTS

- [3. Power Up](#)
- [3. Custom Date Display](#)
- [4. Settings Menu](#)
- [5. WWVB Atomic Time Signal](#)
- [5. Alarm](#)
- [6. Low Battery Indicator](#)
- [6. Specifications](#)
- [6. We're Here to Help!](#)
- [6. Join the Conversation](#)
- [6. Care and Maintenance](#)
- [7. Warranty Info](#)
- [7. FCC Statement](#)

POWER UP

1. Insert 3-AA batteries into your Atomic Clock.



CUSTOM DATE DISPLAY

- Press the MODE button to display Counting Seconds or your Indoor Temperature.
- Press the MODE button again to switch back.



Counting Seconds



Indoor Temperature

SETTINGS MENU

Press one button at a time while setting your clock.

1. Hold the MODE button to enter the Settings Menu.
2. Use the + or - button to adjust and MODE to confirm.

Settings Menu order:

- Beep ON/OFF
- WWVB ON/OFF
- Time Zone
- DST ON/OFF
- 12/24 Hour Time
- Hour
- Minutes
- Year
- Month
- Date
- Fahrenheit/Celsius

Note: Weekday sets automatically when Year, Month and Date are set.

BEEP ON/OFF



WWVB ON/OFF



TIME ZONE



DST ON/OFF



12/24 HOUR FORMAT



HOUR



MINUTES



YEAR



MONTH




DATE



FAHREHNHEIT/CELSIUS



WWVB ATOMIC TIME SIGNAL

- Hold the PLUS (+) button to start or stop a manual search for the WWVB Atomic Time Signal.
- The WWVB Tower Icon  will flash when searching and be solid when signal is received.
- For information about WWVB Atomic Time visit: bit.ly/AtomicTime

ALARM


Set Alarm:

1. Hold the ALARM button to enter Alarm Settings.
2. Use the + or - button to adjust values.
3. Press the ALARM button to confirm and move to next item.



Silence a sounding alarm: Press any button except SNOOZE to silence alarm for 24 hours.

Activate/Deactivate Alarm:

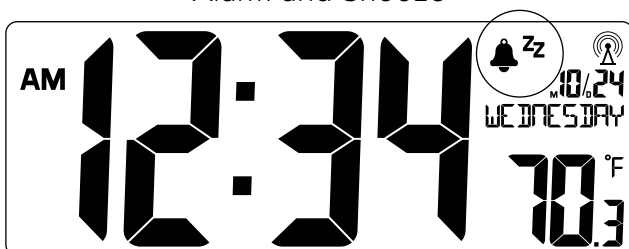
- Press the ALARM button once to view alarm time.
- While viewing alarm time, press the ALARM button to deactivate or activate the alarm.
- The Bell Icon  will show when alarm is active.

Snooze:

- When the alarm sounds, press the SNOOZE button to silence the alarm for 10 minutes. Zz will show next to the Bell Icon.

Note: The alarm will sound with increasing frequency for two minutes, then shut off completely if not deactivated.

Alarm and Snooze



Alarm and Snooze Inactive



LOW BATTERY INDICATOR

- When battery indicator shows replace batteries in your clock.

SPECIFICATIONS

Indoor Temperature Range: 32°F to 122°F (0°C to 50°C)

Power: 3-AA batteries not included

Battery Life: over 12 months

Dimensions: 15.42" x 7.33" x 1.14" (39.16cm x 18.62cm x 2.90cm)

WE'RE HERE TO HELP!

If you require additional support, call our friendly customer support team based out of La Crosse, Wisconsin.

Phone: 1.608.782.1610

Or fill out our online support request form here: bit.ly/contact_techsupport

Our knowledgeable customer support team is available:
Monday-Friday, 8am-6pm CST.

JOIN THE CONVERSATION

Ask questions, watch detailed setup videos, and provide feedback on our social media outlets!



CARE & MAINTENANCE

- Do not mix old and new batteries.
- Do not mix Alkaline, Standard, Lithium, or Rechargeable batteries.
- Always purchase the correct size and grade of battery most suitable for intended use.
- Replace all batteries of a set at the same time.
- Clean the battery contacts and also those of the device prior to battery installation.
- Ensure the batteries are installed with correct polarity (+ and -).
- Remove batteries from equipment which is not to be used for an extended period of time.
- Promptly remove expired batteries.

WARRANTY

La Crosse Technology, Ltd. provides a **1-year limited time warranty** (from date of purchase) on this product relating to manufacturing defects in materials & workmanship.

For Full Warranty Details, Visit: www.lacrossetechnology.com/support

FCC STATEMENT

This equipment has been tested and found to comply with the limits for a Class B digital device, pursuant to part 15 of the FCC Rules. These limits are designed to provide reasonable protection against harmful interference in a residential installation. This equipment generates, uses and can radiate radio frequency energy and, if not installed and used in accordance with the instructions, may cause harmful interference to radio communications. However, there is no guarantee that interference will not occur in a particular installation. If this equipment does cause harmful interference to radio or television reception, which can be determined by turning the equipment off and on, the user is encouraged to try to correct the interference by one or more of the following measures:

- Reorient or relocate the receiving antenna.
- Increase the separation between the equipment and receiver.
- Connect the equipment into an outlet on a circuit different from that to which the receiver is connected.
- Consult the dealer or an experienced radio/TV technician for help.

This device must not be co-located or operating in conjunction with any other antenna or transmitter.

Operation is subject to the following two conditions:

- (1) This device may not cause harmful interference, and
- (2) This device must accept any interference received, including interference that may cause undesired operation.

Caution!

The manufacturer is not responsible for any radio or TV interference caused by unauthorized modifications to this equipment. Such modifications could void the user authority to operate the equipment.

All rights reserved. This manual may not be reproduced in any form, even in part, or duplicated or processed using electronic, mechanical or chemical process without the written permission of the publisher.

This booklet may contain errors or misprints. The information it contains is regularly checked and corrections are included in subsequent editions. We disclaim any responsibility for any technical error or printing error, or their consequences.

All trademarks and patents are recognized.

⚠ WARNING: This product can expose you to chemicals including styrene, which is known to the State of California to cause cancer. For more information go to: www.P65Warnings.ca.gov