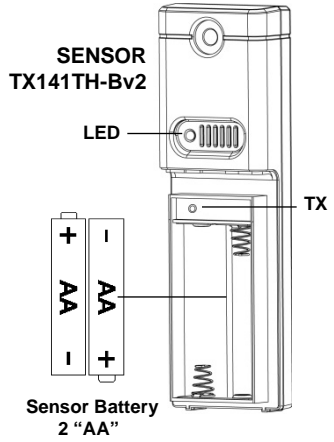
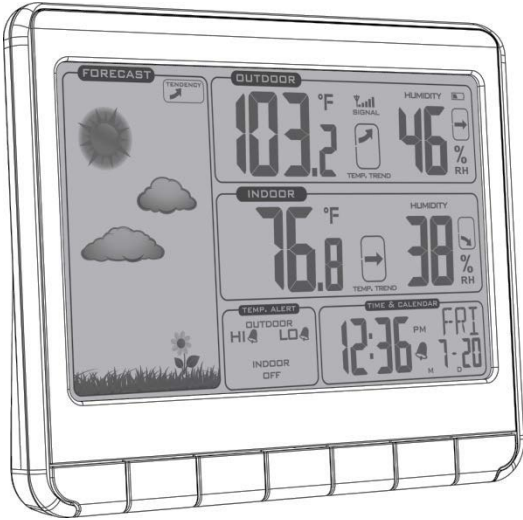
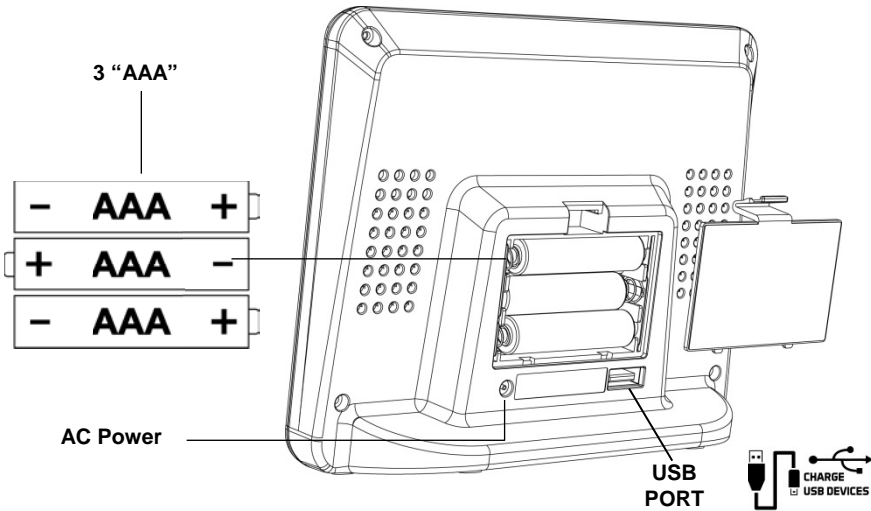
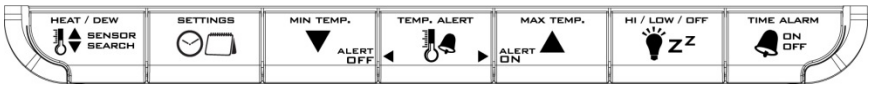


**WIRELESS COLOR FORECAST STATION**



**Buttons**



## INITIAL SETUP

1. Insert 2 new “AA” batteries (not included) into the TX141TH-Bv2 transmitter. Observe the correct polarity. The red LED will flash when transmitting.
2. Insert the included 5.0 volt power cable into the forecast station and then into wall outlet.
3. Optional: Insert 3 new “AAA” batteries (not included) into the forecast station. Observe the correct polarity.
4. Set time and date.
5. After 5 minutes place the sensor in a shaded outdoor location.

## SET TIME, DATE AND TEMPERATURE UNITS

1. Hold the **SETTINGS** button to enter time set mode.
2. To adjust values press the **UP** or **DOWN ARROW** button.
3. Press the **SETTINGS** button to confirm adjustments and move to next item.

### Settings order:

- 12/24 Hour Time Format
- Hour
- Minutes
- Year
- Month
- Date
- Fahrenheit/Celsius

Press the **SETTINGS** button to exit, or wait 20 seconds without pressing buttons to return to the normal time display.

## SET TEMPERATURE ALERTS

1. Hold the **TEMP ALERTS** button until the station beeps.
2. The temperature alert value will blink in set mode.
3. To adjust alert values press the **UP** or **DOWN ARROW** button.
4. Press the **TEMP ALERTS** button to confirm & move to the next alert.

### The temperature alert order:

1. Outdoor High, 2. Outdoor Low, 3. Indoor High, 4. Indoor Low

Press the **TEMP ALERTS** button to exit, or wait 20 seconds without pressing buttons to return to normal time display

## ARMS/DISARMS TEMPERATURE ALERTS

Press & release the **TEMP ALERTS** button to toggle between the alerts  
Outdoor HI / Outdoor LOW / Indoor HI / Indoor LOW

- Arm the alert with the **UP ARROW** button.
- Disarm the alert with **DOWN ARROW** button.
- ALERT BELL ICON appears when armed.

High & Low Alerts  
Armed



High & Low Alerts  
Disarmed



### ACTIVE TEMPERATURE ALERT

- When temperature alert is ringing, the alert icon will flash.
- The alert will ring for five seconds every minute, until the temperature is out of alert range.
- Press any button to silence the alert. The alert icon will flash.
- Disarm ALERT: Press and release the **TEMP ALERT** button to view the armed alert.
- With HI or LO alert selected, press the **DOWN ARROW** button to disarm that alert (OFF).

### SET TIME ALARM

1. Hold the **TIME ALARM** button to enter alarm time set mode.
2. To adjust ALARM TIME press the **UP** or **DOWN ARROW** buttons.
3. Press the **TIME ALARM** button to confirm adjustments and move to the next item.

**Alarm Time setting order:** 1. Hours 2. Minutes

### ACTIVATE/DEACTIVATE TIME ALARM

- Press the **TIME ALARM** button once to view alarm time.
- Press the **TIME ALARM** button again to activate the alarm. Once activated the bell icon appears.
- Press the **TIME ALARM** button again to deactivate the alarm. The bell icon will disappear.



Alarm  
Bell Icon

### SNOOZE (SILENCES ALARM TEMPORARILY)

- When alarm sounds, press the **LIGHT/SNOOZE** button to silence the alarm for 10 minutes.
- The alarm icon will flash.
- In snooze mode, press any button EXCEPT the **TIME ALARM** button to stop alarm for one day.

**Note:** The alarm is crescendo sound. The alarm will sound for 2 minutes and then shut off completely.

## ADJUST BACKLIGHT

### When using A/C power:

- Press the **HI/LOW/OFF** button to adjust the backlight:

### When using Battery power only:

- Press the **HI/LOW/OFF** button for 10 second backlight.

## HEAT INDEX/DEW POINT

- Press the **HEAT/DEW** button once to view Heat Index.
- Press the **HEAT/DEW** button twice to view Dew Point.

## FORECAST ICONS

The forecast station uses changing atmospheric pressure to predict weather conditions for the next 12-hours with 70-75% accuracy.

**Note:** Please allow 3 to 4 weeks for barometer calibration.



SUNNY



PARTLY  
SUNNY



CLOUDY



RAIN



T-STORM

## FORECAST TREND INDICATOR

- Rising arrow = weather is improving.
- Falling arrow = weather may worsen.



## VIEW/RESET MIN/MAX VALUES

The station automatically resets minimum and maximum values daily at midnight (12:00 AM).

- Press the **MIN** button to view minimum values.
- Hold the **MIN** button to reset minimum values.
- Press the **MAX** button to view maximum values.
- Hold the **MAX** button to reset maximum values.

## SEARCH FOR OUTDOOR TRANSMITTER

- Press the SENSOR SEARCH button to search for the outdoor transmitter.
- The strength signal icon will animate until the sensor signal is received or for 3 minutes if no signal is available.



## TEMPERATURE/HUMIDITY TREND INDICATORS

The temperature (2°F/1°C) and humidity (3% RH) trend indicators update every 30 minutes or less.

- Temperature has **risen** in the past 3 hours.
- Humidity has **risen** in the past 3 hours.



- Temperature has **not changed** in the past 3 hours.
- Humidity has **not changed** in the past 3 hours.



- Temperature has **fallen** in the past 3 hours.
- Humidity has **fallen** in the past 3 hours.



## USB CHARGE PORT

Charge a smart phone, camera or other devices when the weather station is plugged into a power outlet with the included 5.0V AC adapter.

**Note:** This is a power-output charging port. It does not supply power to the weather station.

- Charge devices that self-regulate.
- Do not charge multiple devices from the same USB port.
- Must operate station with power cable to charge other devices.
- Connect your external device's USB charging cable (not included) to the USB charging port.
- Charging times will vary.
- **USB Power Output:** 1A maximum current.

**Note:** Some USB cables are for data transfer only and cannot be used for charging. Make sure that the USB cable you use will charge your device. Most USB cables included with mobile devices will work for charging.

## LOW BATTERY ICON

Low battery icon indicates low battery for station or sensor.



- Icon is in Outdoor Temperature, replace batteries in the sensor.
- Icon is in Indoor Temperature, replace batteries in the station.

## SPECIFICATIONS

### Indoor:

Temperature Range: +32°F to +122°F (0°C to 50°C)

Humidity Range: 19%-97% (RH)

Interval: About every 30 seconds

### Outdoor:

Temperature Range: -40°F to 140°F (-40°C to 60°C)

Alkaline Batteries: -20°F to 140°F (-28.8°C to 60°C)

Lithium Batteries: -40°F to 140°F (-40°C to 60°C)

**NOTE:** Temperatures below - 20°F (-28.8°C) require Lithium batteries in the outdoor sensor.

Humidity Range: 19%-97% RH

Distance: Over 300 ft. (91 meters) RF 433MHz (open air)

Interval: About every 50 seconds

### Power:

Forecast Station

Primary Power: 5.0 volt Power cable (included)

AC6 Cord Number: HX09-0501500-AU

Optional/Battery Backup: Optional 3-AAA, IEC, LR3 batteries (not included)

TX141TH-Bv2 Transmitter: 2-AA, IEC, LR6 batteries (not included)

### USB

USB Charge Port: Output 1A

### Battery Life:

Forecast Station Battery Backup: Battery life is over 24 months when using the AC adapter for primary power

TX141TH-Bv2 Transmitter: Battery life is over 12 months when using reputable battery brands for both Alkaline and Lithium batteries

### Dimensions:

Forecast Station: 5.91"L x 1.65"W x 4.84"H (15 x 4.19 x 12.3 cm)

TX141TH-Bv2 Transmitter: 1.57" x 0.79" x 5.12" (4 x 2 x 13 cm)

## POSITION OUTDOOR TRANSMITTER

- Mount the outdoor transmitter on a north-facing wall or in any well shaded area. Under an eave or deck rail is preferred.
- The maximum transmitting range to the forecast station is over 300 feet (91 meters) in open air, not including walls.

## RESTART

If the outdoor temperature shows dashes, unplug the AC adapter and remove batteries from the forecast station & transmitter then press any button 20 times. After 15 minutes, return to **Step 1** in Initial setup.

## FORECAST STATION CARE AND MAINTENANCE

- Do not mix old and new batteries
- Do not mix Alkaline, Standard, Lithium, or Rechargeable Batteries
- Always purchase the correct size and grade of battery most suitable for intended use.
- Replace all batteries of a set at the same time.
- Clean the battery contacts and also those of the device prior to battery installation.
- Ensure the batteries are installed with correct polarity (+ and -).
- Remove batteries from equipment which will not to be used for an extended period.
- Promptly remove expired batteries.
- If the product is not working properly, change the batteries and/or check the A/C cord connection.

## WARRANTY AND SUPPORT INFORMATION

La Crosse Technology, Ltd. provides a 1-year limited time warranty (from date of purchase) on this product relating to manufacturing defects in materials & workmanship.

### View full warranty details online at:

[www.lacrossetechnology.com/warranty\\_info.pdf](http://www.lacrossetechnology.com/warranty_info.pdf)

### For warranty work, technical support or other information contact:

La Crosse Technology, Ltd  
2817 Losey Blvd. S.  
La Crosse, WI 54601

### Contact Support:

1-608-782-1610

### Online Product Support:

[www.lacrossetechnology.com/support](http://www.lacrossetechnology.com/support)



## FCC STATEMENT

This equipment has been tested and found to comply with the limits for a Class B digital device, pursuant to part 15 of the FCC Rules. These limits are designed to provide reasonable protection against harmful interference in a residential installation. This equipment generates, uses, and can radiate radio frequency energy, and if not installed and used in accordance with the instructions, may cause harmful interference to radio communications. However, there is no guarantee that interference will not occur in a particular installation. If this equipment does cause harmful interference to radio or television reception, which can be determined by turning the equipment off and on, the user is encouraged to try to correct the interference by one or more of the following measures:

- Reorient or relocate the receiving antenna.
- Increase the separation between the equipment and receiver.
- Connect the equipment into an outlet on a circuit different from that to which the receiver is connected.
- Consult the dealer or an experienced radio/TV technician for help.

This device must not be co-located or operating in conjunction with any other antenna or transmitter.

**Operation is subject to the following two conditions:**

- (1) This device may not cause harmful interference, and
- (2) This device must accept any interference received, including interference that may cause undesired operation.

**Caution!**

The manufacturer is not responsible for any radio or TV interference caused by unauthorized modifications to this equipment. Such modifications could void the user authority to operate the equipment.

All rights reserved. This manual may not be reproduced in any form, even in part, or duplicated or processed using electronic, mechanical or chemical process without the written permission of the publisher.

This booklet may contain errors or misprints. The information it contains is regularly checked and corrections are included in subsequent editions. We disclaim any responsibility for any technical error or printing error, or their consequences.

All trademarks and patents are recognized.

**Canada Statement**

This device complies with Industry Canada's license-exempt RSSs. Operation is subject to the following two conditions:(1) This device may not cause interference; and(2) This device must accept any interference, including interference that may cause undesired operation of the device.