

## WARRANTY & SUPPORT

Equity provides a 2-year limited warranty on this product from the date of consumer purchase against defects for material and workmanship. During this period such defects will be repaired, or the product will be replaced at Equity's option, without charge. This warranty does not cover damage caused by misuse or negligence.

ALL IMPLIED WARRANTIES, INCLUDING BUT NOT LIMITED TO IMPLIED WARRANTIES OR FITNESS AND MERCHANTABILITY, ARE LIMITED IN DURATION TO A PERIOD ENDING TWO YEARS FROM DATE OF PURCHASE.

Some states do not allow limitations on how long an implied warranty lasts so the above limitation may not apply to you. This warranty gives you specific legal rights and you may also have other rights which vary from State to State.

If your product is not working properly, please send:

Your product

A letter explaining the problem and \$5.00 for postage and handling to:

Equity by La Crosse

Warranty Department

2830 26th St S.

La Crosse, WI 54601

[www.lacrossetechnology.com/support](http://www.lacrossetechnology.com/support)



**WARNING:** This product can expose you to chemicals including styrene, which is known to the State of California to cause cancer. For more information go to: [www.P65Warnings.ca.gov](http://www.P65Warnings.ca.gov)

Made in China - Printed in China

# Equity

## Analog Quartz Alarm Clock



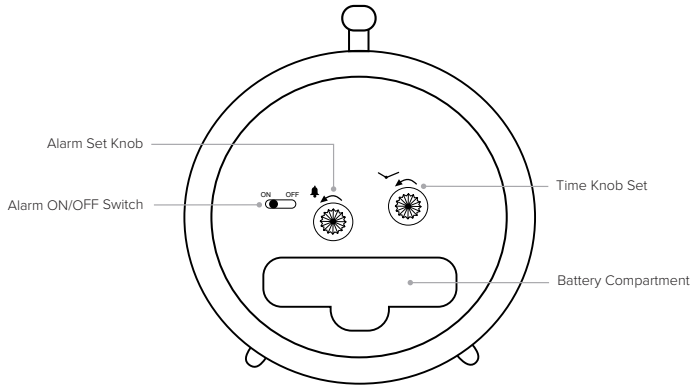
Model: 20090 & 20091

DC:031819

Find product information here: [bit.ly/laxtech\\_support](http://bit.ly/laxtech_support)

## Power up

1. Insert 1 fresh AA battery into your clock according to the polarity markings.
2. Turn the Time Set Knob counter clockwise to set your time.



## Time Alarm

1. Turn the Alarm Set Knob to set alarm time.
2. Move the Alarm ON/OFF switch to ON to activate your alarm. Move the Alarm ON/OFF switch to OFF to deactivate your alarm.

## Snooze & Light

- **Five minute snooze:** When the alarm sounds, press the chrome button on top of the clock.
- **Light:** Press the chrome button on top of the clock.

## Position

- Place your clock on your night stand, desk or counter top.

## Specifications

Battery Requirements: 1 AA (IEC LR6) required in movement (Alkaline recommended) (not included)

Battery life: over 12 months

## Care and Maintenance

- Always purchase the correct size and grade of battery most suitable for intended use.
- Clean the battery contacts and also those of your clock prior to battery installation.
- Ensure the battery is installed with correct polarity (+ and -).
- Remove battery from equipment when it is not used for an extended period of time.
- Promptly remove an expired battery.