

## WARRANTY & SUPPORT

Equity provides a 2-year limited warranty on this product from the date of consumer purchase against defects for material and workmanship. During this period such defects will be repaired, or the product will be replaced at Equity's option, without charge. This warranty does not cover damage caused by misuse or negligence.

ALL IMPLIED WARRANTIES, INCLUDING BUT NOT LIMITED TO IMPLIED WARRANTIES OR FITNESS AND MERCHANTABILITY, ARE LIMITED IN DURATION TO A PERIOD ENDING TWO YEARS FROM DATE OF PURCHASE.

Some states do not allow limitations on how long an implied warranty lasts so the above limitation may not apply to you. This warranty gives you specific legal rights and you may also have other rights which vary from State to State.

If your product is not working properly, please send:

Your product

A letter explaining the problem and \$5.00 for postage and handling to:

Equity by La Crosse

Warranty Department

2830 26th St S.

La Crosse, WI 54601

[www.lacrossetechnology.com/support](http://www.lacrossetechnology.com/support)

**! CA WARNING:** This product can expose you to chemicals including acrylonitrile, butadiene, and styrene, which are known to the State of California to cause cancer and birth defects or other reproductive harm. For more information go to: [www.P65Warnings.ca.gov](http://www.P65Warnings.ca.gov)

Made in China - Printed in China

# Equity

## Analog Quartz Alarm Clock



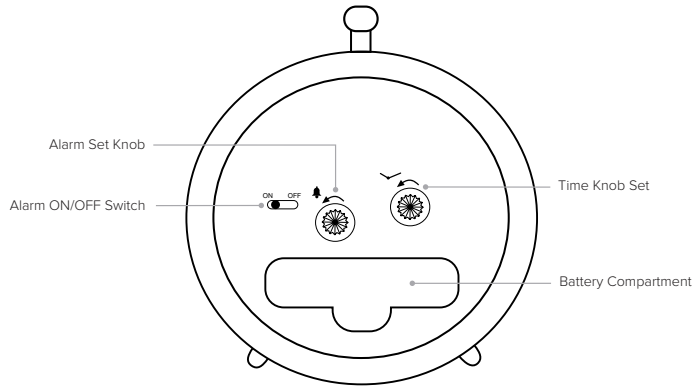
Model: 20090 & 20091

DC:010622

Find product information here: [bit.ly/laxtech\\_support](http://bit.ly/laxtech_support)

## Power up

1. Insert 1 fresh AA battery into your clock according to the polarity markings.
2. Turn the Time Set Knob counter clockwise to set your time.



## Time Alarm

1. Turn the Alarm Set Knob to set alarm time.
2. Move the Alarm ON/OFF switch to ON to activate your alarm. Move the Alarm ON/OFF switch to OFF to deactivate your alarm.

When the alarm sounds it will increase in volume and frequency for 30 seconds and remain at that volume until the alarm is snoozed or turned off.

## Snooze & Light

- **Five minute snooze:** When the alarm sounds, press the chrome button on top of the clock.
- **Light:** Press the chrome button on top of the clock.

## Position

- Place your clock on your night stand, desk or counter top.

## Specifications

Battery Requirements: 1 AA (IEC LR6) required in movement (Alkaline recommended) (not included)  
Battery life: over 12 months

## Care and Maintenance

### Battery replacement instruction:

When batteries of different brand or type are used together, or new and old batteries are used together, some batteries may be over-discharged due to a difference of voltage or capacity. This can result in venting, leakage, and rupture and may cause personal injury.

- Always purchase the correct size and grade of battery most suitable for the intended use.
- Always replace the whole set of batteries at one time, taking care not to mix old and new ones, or batteries of different types.
- Clean the battery contacts and those of the device prior to battery installation.
- Ensure the batteries are installed correctly with regard to polarity (+ and -).
- Remove batteries from product during periods of non-use. Battery leakage can cause corrosion and damage to this product.
- Remove used batteries promptly.
- For recycling and disposal of batteries, and to protect the environment please check the internet or your local phone directory for local recycling centers and/or follow local government regulations.