



Pride



Owners Manual

Overview

Using your new *Pride* Multi-User hospital grade breast pump

READ THE ENTIRE MANUAL BEFORE OPERATING PUMP

*This overview is not intended to provide complete user instructions.

-
1. Sanitize before use [See page 8](#)
 2. Pump setup and assembly [See page 11](#)
 3. Accessory kit setup and assembly [See page 27](#)
 4. Using pump [See page 14](#)
 5. Expressing milk [See page 31](#)
 6. Storing milk [See page 33](#)
 7. Accessory kit care and cleaning [See page 38](#)
 8. Pump care and cleaning [See page 37](#)
-

This manual is also available at limerickinc.com/support

Symbols and the meaning



Warning!



Caution!



Sterile



Class B

⚠ Caution: If the accessory kit is not labeled sterile, [see page 10-5](#) for instructions on sanitizing the accessory kit. Sanitizing the accessory kit needs to be done before the first time you use it. After the first time you use the pump, the accessory kit will only need a simple cleaning procedure found on [page 38](#).

Contents

Health and Safety	1
Important Safeguards	1

Pump Components	4
------------------------	----------

Accessory Kit Components	5
---------------------------------	----------

Introduction to Your Pride Breast Pump	6
Pump Description	6
Purpose of Pride multi-user hospital grade breast pump	6
Reasons to use a breast pump	6
Benefits of using Pride electric breast pump	7

Accessory Kit Sanitizing	8
Before using the accessory kit for the first time	8
Disassemble the following parts as shown and boil them according to the instructions	9

Pump Setup and Assembly	11
--------------------------------	-----------

Controls and Features	12
Cycle speed/power adjustment knob	12
Vacuum adjustment knob	13
Secondary Features	14
Find your comfort settings	14
Recommended settings for first-time use	14
Adjusting vacuum strength and cycle speed	14
Turning off pump	15

Display Functions and Indications	16
Functions	16
Timer display	16
Problem indication	16
Flashing 1, 2, 3 Lights	16
Flashing 4, 5, 6 Lights	17
Flashing 7, 8, 9 Lights	17
Flashing 10, 20 Lights	17
Other problems that may occur without a fault message	17
Situation “A”	17
Situation “B”	18
Situation “C”	18

Accessory Kit Setup and Assembly	19
---	-----------

Double Pumping Setup	22
Expressing milk from both breasts	22

Single Pumping Setup	23
Expressing milk from one breast at a time	23

Expressing Your Milk	24
Preparing to express breast milk	24
Testing vacuum cycling and suction before Pumping	24
Expressing breast milk	25
Storing breast milk for term infants at home or away	25

Pumping Methods and Patterns	27
Double pumping	27
Single pumping	27

Multiple User Instructions	29
Do not share these parts.	29

Pump Care and Cleaning	30
When to change the filter	30
How to change the filter	30
Transportation Information	30

Accessory Care and Cleaning	31
After each use	31
Wash these parts	32
Don't wash these parts	32

Troubleshooting	33
------------------------	-----------

Ordering Replacement Parts or Optional Accessories	36
---	-----------

Warranty	37
Register your pump at limerickinc.com	37


Customer Service	38
-------------------------	-----------

Health and Safety

Important Safeguards

When using your *Pride* multi-user hospital grade breast pump, basic safety precautions should always be followed, including the following.

READ ALL INSTRUCTIONS BEFORE USE

 **Caution:** Every electrical device has a potential for danger. To reduce the risk of burns, electrocution, fire, injury, or infection to persons, take these precautions:

1. Always unplug your *Pride* multi-user hospital grade breast pump immediately after use. Unplugging the breast pump is the only way to assure the power is disconnected.
2. Do not use while bathing or showering.
3. Do not place or drop motor unit (pump) or power supply into water or other liquid. If either part falls into water, unplug it from the wall, then remove it from the water. Do not use pump or power supply again; the pump and power supply cannot be repaired after being in water.
4. Do not store or use your breast pump where it can fall or be pulled into a tub, sink, or other water container.
5. To avoid damaging the power cord, do not wrap/wind power cord around the power adapter.
6. Never operate your pump if it has a damaged power supply cord or plug.
7. Only use the electric power supply/cord that comes with the *Pride* multi-user hospital grade breast pump.

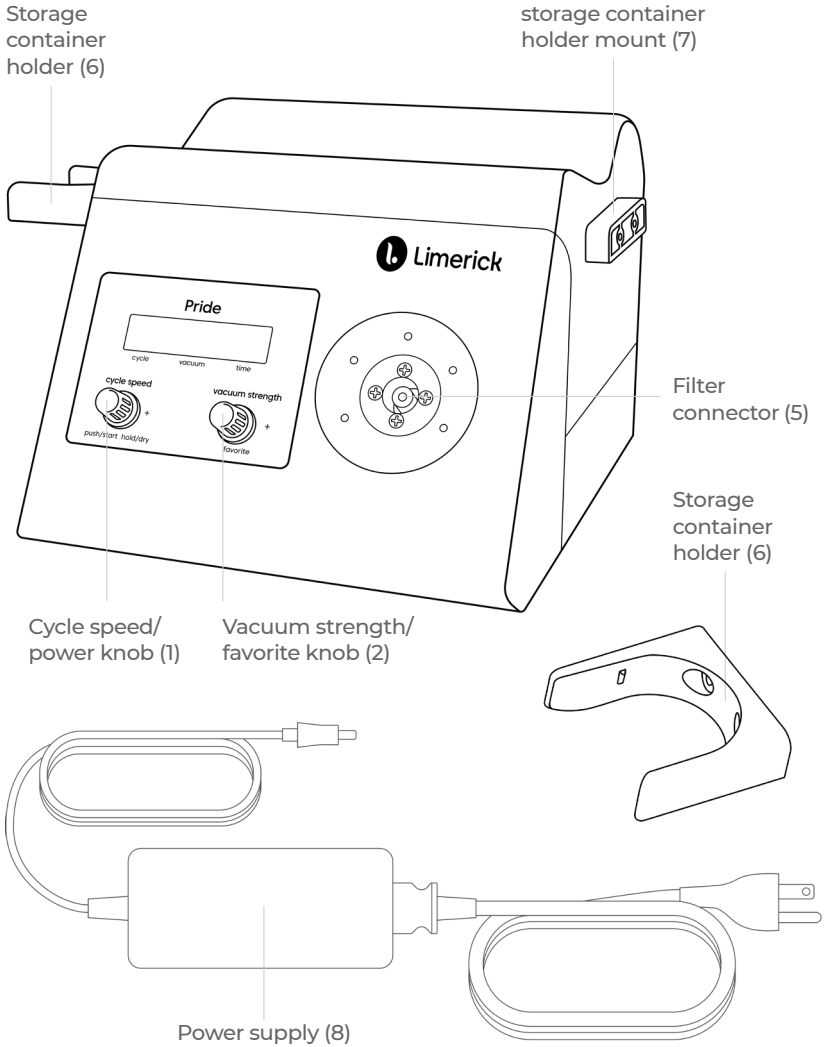
8. The accessory kit is a personal care item designed to be used by one woman only. They are not to be shared between mothers.
9. The filter needs to be replaced if it gets wet. In the unlikely event that milk enters the pump, discontinue use of the device and call the company.
10. Make sure the voltage of the power supply is compatible with the pump. If you plan to use this pump in another country where voltage and outlet plugs may differ, a plug adapter may be required. Please contact Limerick, Inc., for recommendations.
11. Do not use while sleeping or when overly drowsy.
12. Supervision is needed when using the pump near children.
13. On rare occasions the amount of suction may become strong enough to cause pain. If that occurs, immediately pull the filter (9 on page 15) off the pump's filter connector (5) and turn the pump off. Should the cup remain stuck with suction to your breast after you have removed the filter and turned off the power, insert your finger between the cup and your breast to break the seal.
14. If the Accessory Kit is not marked sterile, [see page 8-5](#) for sanitizing accessories before first use and [page 38](#) for cleaning after each use.
15. To avoid the risk of electric shock, this equipment must only be connected to a supply main with protective grounding.
16. In the case of an emergency, do not place the breast pump in an area that restricts or prevents manual disconnection.
17. The electrical rating of the *Pride* pump is 12V 2A DC.



Caution: To reduce the likelihood of malfunction, pump failure, damage to pump, or damage to other property, take these precautions:

1. Your *Pride* hospital grade electric breast pump should never be left unattended when plugged into an electric outlet.
2. Use the pump only for its intended use as described in this manual.
3. Use ONLY Accessory Kits manufactured by Limerick, Inc. Your *Pride* breast pump operates differently than other pumps, so other kits will not work properly with it. Use of incorrect parts voids warranty.
4. Use the pump only in an upright position.
5. Never operate your pump if it's not working properly.
6. Do not use outdoors or where pump could get wet.
7. Keep the cord and all components away from heated surfaces.
8. If the filter becomes plugged, replace the filter. Do not tamper with the filter. See **Caution on page 32** to prevent clogging.
9. DO NOT ATTEMPT TO REPAIR *Pride* hospital grade electric breast pump. There are no user-serviceable parts inside.
10. Your pump has a temperature sensor that shuts it off if the temperature inside gets too high. In the unlikely event that this sensor should fail, and the pump begins to smell hot, turn it off immediately, and call Limerick, Inc., to return it for repair.
11. In the unlikely event that the pump motor should stop running or cycling with the power still connected, turn it off immediately and call Limerick, Inc., to return it for repair.

Pump Components



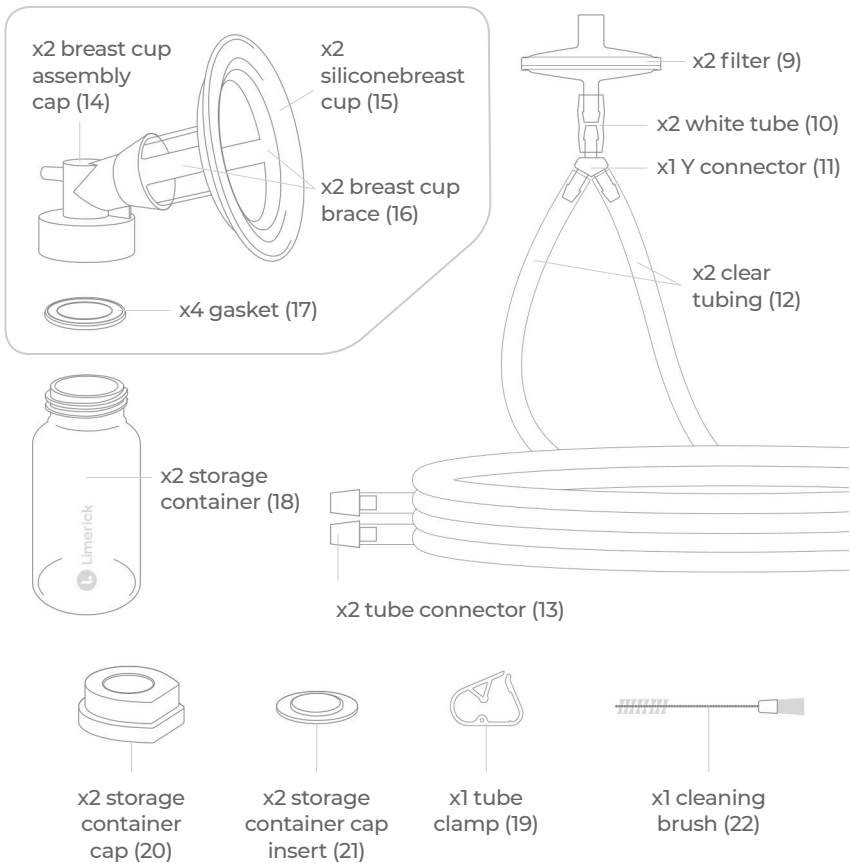
The pump, power supply and storage container holders may be shared by two or more women. For details, [see "Multiple User Instructions" on page 29.](#)

Accessory Kit Components

This Accessory Kit with filter has been designed for single-personal use and should not be shared between mothers.

Use ONLY Limerick parts; other brands will not work properly with this pump. The use of other brands' accessories will void the warranty.

x2 Breast cup assembly (23), parts (14 - 16) no need to take these apart.



Introduction to Your Pride Breast Pump

Pump Description

The *Pride*® hospital grade multi-user breast pump is intended to express and collect milk from a lactating woman's breast. This action helps to alleviate engorgement of the breast, maintain the woman's ability to lactate, and provide mother's milk for future feedings when mother and baby are separated.

Purpose of Pride multi-user hospital grade breast pump

The purpose of the breast pump is to express and collect breast milk. Milk can be collected from both breasts at the same time (double pumping) or from just one breast (single pumping). Specific instructions appear [on page 29](#) and in the "Expressing Milk" section beginning [on page 31](#).

Multiple users: The pump can be used by several women (at different times). For safety, it's important that each woman have her own accessory kit with filter. [See page 36](#) for instructions.

Reasons to use a breast pump

The intended use of the *Pride* multi-user hospital grade breast pump is to express milk from the breast of a lactating woman.

Breast milk is the best possible nutrition you can give your baby. Breast-feeding allows you to give your baby the best possible start in life. While putting your baby to the breast is one way the baby will receive breast milk, there are several reasons for pumping and feeding your baby expressed breast milk.

For information on reasons to use a breast pump, please go to

bfmed.org or find this book at your library or bookstore:

Lawrence, RA, Lawrence, RM: *Breastfeeding: A Guide for the Medical Profession*, Edition 8, Missouri, 2016, Mosby

Benefits of using Pride electric breast pump

- Establish and maintain milk production by emptying the breast if breast-feeding is temporarily interrupted
- Increase milk production
- Continue to provide infant with breast milk when mother and infant are separated

For a list of optional accessories and replacements parts, [see page 43-5](#). For a free catalog visit limerickinc.com

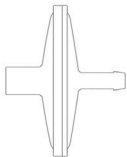
Accessory Kit Sanitizing

Before using the accessory kit for the first time

⚠ Caution! Unless there is a label stating **sterile** on the kit, the accessory kit is not supplied sterile. It's not necessary that the parts be sterile, but some must be sanitized before the first time you use the pump. After the first time you use the pump, the accessories will only need a simple cleaning procedure, [see page 38-5](#).

DO NOT BOIL THESE PARTS

The filter, tubing, connector, clamp, and “Y” connector do not need to be sanitized as air is all that flows through the parts. The filter is designed to last the duration of your current breast-feeding goals. See “Caution” [on page 32](#) to prevent clogging.



filter
(9)



white
silicone
tubing (10)



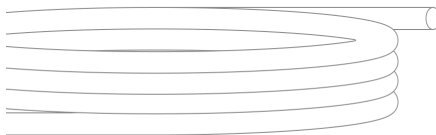
Y
connector
(11)



tube
connector
(13)



tube
clamp
(19)

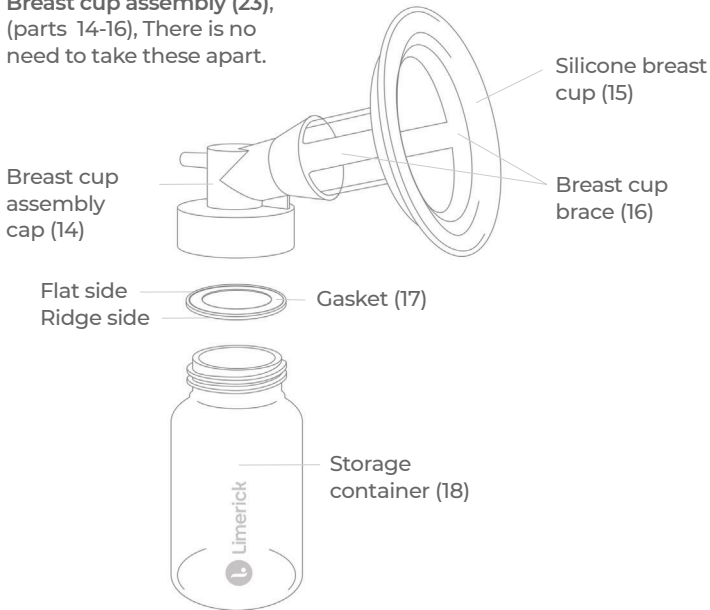


clear tubing (12)

Disassemble the following parts as shown and boil them according to the instructions

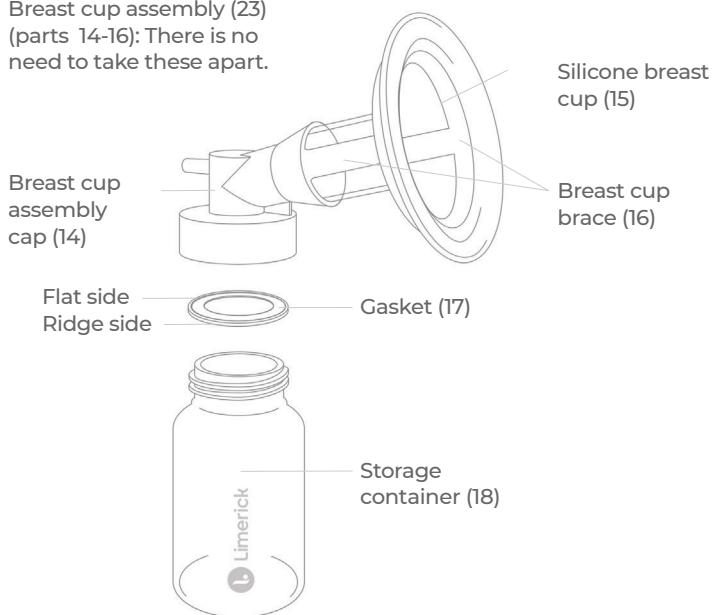
1. Remove filter with tubing assembly (9-13) from both breast cup assemblies (23)
2. Unscrew breast cup assembly (23) from storage container (18).
3. Remove the gaskets (17). It's not necessary to remove the breast cups (15) and breast cup braces (16) from the breast cup assembly caps (14)
4. Place breast cup assembly (23), gaskets (17), and storage container (18) in a 4-5-quart pan.
5. Fill pan with water to about one inch from the top of pan, making sure all parts are covered with water.
6. Place pan on stove and bring to boil.
7. Boil for 2-5 minutes maximum.

Breast cup assembly (23),
(parts 14-16), There is no
need to take these apart.



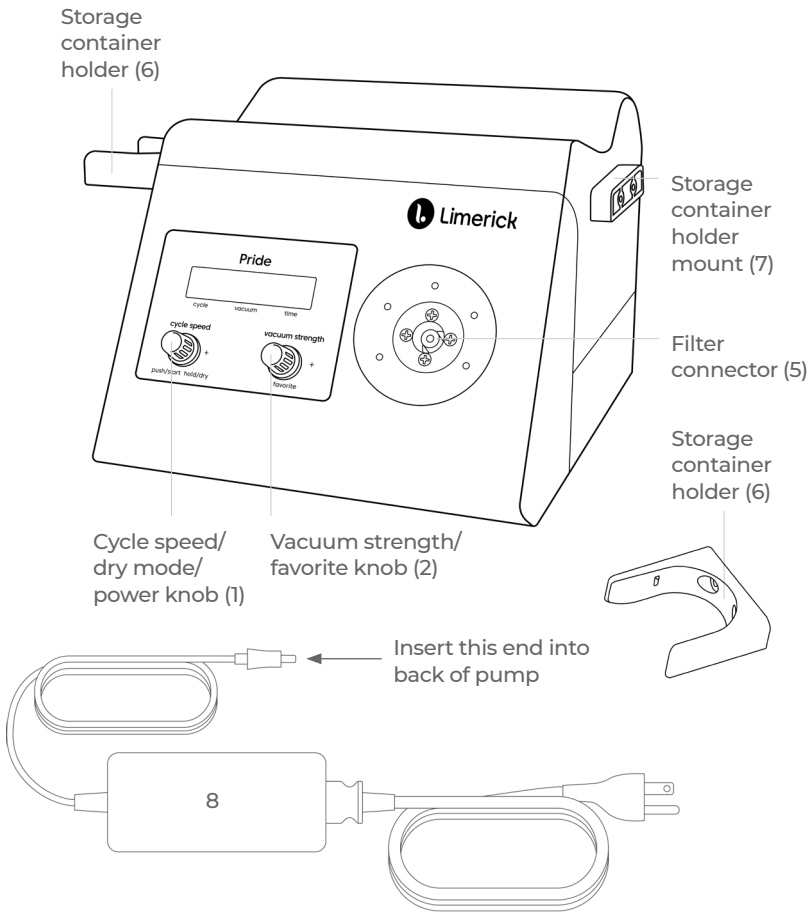
8. Drain water and remove parts from pan using tongs.
9. Place on a clean towel and allow to air dry.
10. Before each use, visually inspect the individual components for cracks, chips, tears, discoloration, or deterioration. In the event that damage to the device is observed, please discontinue use until the parts have been replaced. Dispose all waste products according to applicable regulations.

Breast cup assembly (23)
(parts 14-16): There is no
need to take these apart.



Pump Setup and Assembly

1. Place pump on a level surface.
2. Insert the two storage container holders (6) into the storage container holder slots (7) on either side of the base of the pump.
3. Connect the power supply cord (8) to the back of the pump and the wall outlet. Insert this plug into back of pump



Controls and Features

The pump has two control knobs. Rotating the knobs adjusts the settings. When a knob is adjusted, the time display automatically changes to show the setting value, then switches back to time shortly after the adjustment has stopped. The knobs increase/decrease a displayed value. If you continue to rotate the knobs the values will continue to change until the value reaches its limit. When the setting reaches its limit, the setting will blink if you continue to turn the knob, to let you know you have reached the limit. For knob locations, see the illustration [on page 11](#).

Cycle speed/power adjustment knob

Pressing the **cycle speed/ Power knob** starts and stops the pump motor. Rotating the **cycle speed/power knob** controls the suction rhythm (cycle). It does this by changing the speed of the pump motor to pump faster or slower. Rotating the knob to the right increases the speed and rotating the knob to the left decreases the speed. An example of the suction rhythm (cycle) is when the soft silicone breast cup collapses around the areola (dark area behind your nipple) and releases. This can be related to how many times your baby sucks per minute.

The slowest suction rhythm (cycle) is with a cycle speed of 1 (one). This provides the fewest compressions per minute. A cycle speed of 30 (thirty) provides the greatest number of compressions per minute and is the most comfortable setting. The suction rhythm (cycle) also determines how long the suction strength (vacuum) is applied to your breast. For example, a slow suction rhythm (cycle) would apply suction strength (vacuum) for a slightly longer period of time. On the other hand, a faster suction rhythm (cycle) would apply suction strength (vacuum) for a shorter period of time (more comfortable). Adjust the cycle speed only after you have used the pump 2-3 times

and feel comfortable with your *Pride* breast pump. The cycle speed is used to fine-tune the suction rhythm to best mimic your baby's suckling.

Vacuum adjustment knob

The **vacuum adjustment knob** controls the suction strength (vacuum) for balancing effectiveness and comfort and will also slow down cycle speed as vacuum is increased. Rotating the **vacuum adjustment knob** to the right increases the strength and rotating the knob to the left decreases the strength. A vacuum setting of 1 (one) applies a low suction strength (vacuum). A vacuum setting of 80 (eighty) applies a high suction strength (vacuum). Your *Pride* breast pump always maintains a slight vacuum.

Since each mother/baby couple's breast-feeding experience is different, the adjustment of these knobs will be an individual choice. The goal is to adjust the suction rhythm (cycle) to what best mimics your baby's sucking pattern and to adjust the suction strength (vacuum) to a comfortable setting. Note that the vacuum setting will also affect the suction rhythm (cycle). Increasing the vacuum level will decrease the number of cycles per minute (slow cycles).

Adjusting the cycle speed will not change the vacuum level. Cycle speed is independent of vacuum strength.

When you begin to use *Pride* breast pump, it's recommended that you use a fast suction rhythm (cycle) and low suction strength (vacuum). The pump is programmed to start at this setting when first used or if pump is left off for more than 5 (five) minutes. This will create a flutter like sensation and allow for a comfortable setting so you can get used to the pump.

After 1-2 minutes of pumping, increase the suction strength (vacuum) by rotating the vacuum adjustment knob to the right until it feels comfortable and similar to your baby's suckle.

Note: When vacuum strength is increased, the cycle speed will decrease slightly.

Secondary Features

Dry Mode: To enter **Dry Mode**, turn the pump on and hold down the cycle speed/power knob (1) until the number 5 light turns on (this will take about 5 [five] seconds). Release knob and the light will begin to blink rapidly. Attach filter and tubing without breast cup assembly and press power to start drying mode. Pump will turn on for 5 (five) minutes and display remaining time. If vacuum level gets too high the pump will stop and the number 5 light will begin to blink rapidly again. To cancel drying, press cycle speed/power knob while pump is running and pump will turn off and reboot.

Find your comfort settings

Recommended settings for first-time use

Cycle speed of 30 (thirty) and a vacuum setting of 1 (one).

The pump will automatically start up with these settings after being unplugged or if the pump has been off for more than 5 minutes.

Adjusting vacuum strength and cycle speed

Vacuum: Pump for the first minute or two before adjusting the vacuum. It's recommended to increase the vacuum in small increments up to the level that feels comfortable to you. Recommended pumping time is about 15-20 minutes or 2 minutes after milk stops to flow.

Cycle: The cycle speed knob is used to fine-tune the suction rhythm to best mimic your baby's suckling. It's recommended that you wait to adjust the cycle speed until you've pumped several sessions

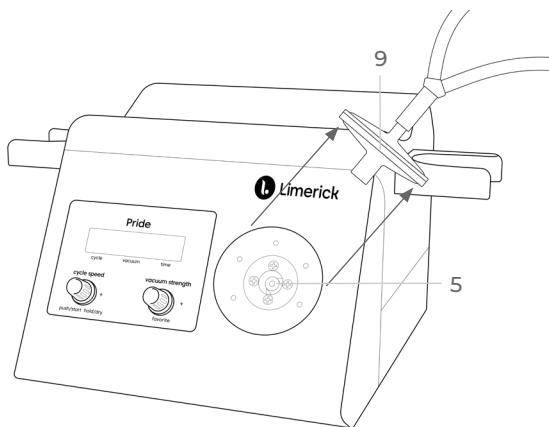
with the vacuum at a comfortable level for you. To fine-tune suction rhythm, turn knob to the left to slow cycle speed.

Turning off pump

Turn off pump prior to removing the breast cups from breast.

! WARNING! In the event of a problem or malfunction, it's possible to experience a higher than normal suction strength (vacuum). Should you feel pain, immediately pull the filter (part 9 in drawing below) off the pump's filter connector (5). Turn off the pump. Should the cup remain stuck with suction to your breast after you have removed the filter and turned off the power, insert your finger between the cup and your breast to break the seal.

To remove the filter (9) from the filter connector (5), pull outward.



Display Functions and Indications

Functions

Timer display

The time display allows a woman to know how many minutes she has been pumping. The pump timer starts timing when the pump cycling starts. The time display shows the number of minutes of pumping. It's recommended that you only pump for 15-20 minutes or for 2 minutes after milk stops flowing. The pump will not automatically turn off. It's recommended that you turn off the pump first before removing breast cups from breast and place storage containers in storage holders to prevent milk flowing into tubes. The timer also displays the vacuum and cycle speed after 3 seconds from when the setting was changed.

Problem indication

The pump is designed to check for fault conditions. If a fault is detected, the pump will stop and a group of 3 flashing lights on the minute timer (3 and 4) will indicate the problem. Only unplugging the pump will clear the message and allow the pump to reset (not applicable for Flashing 4,5,6, lights).

Flashing 1, 2, 3 Lights

This fault means that the temperature inside the pump enclosure is higher than expected. After the pump cools, it may be used again. This is not typical, so if it happens repeatedly contact Limerick as the pump may need to be returned for repair.

Flashing 4, 5, 6 Lights

This fault means the vacuum has timed out and could be caused by the following: Air leak in accessory kit. Or Mother was not setup to pump within appropriate time after pump was started (must have breast cup attached within 7 seconds of starting pump). When encountering this problem, manually restart the pump by turning the pump off and back on using the cycle speed/power knob (1). If problem persists, contact Limerick as the pump may need to be returned for repair.

Flashing 7, 8, 9 Lights

This fault means that the vacuum increased to a level higher than expected. This can only happen if there is an internal malfunction. If resetting does not restore normal operation, contact Limerick as the pump may need to be returned for repair.

Flashing 10, 20 Lights

This error code means an internal malfunction has occurred. Contact Limerick as the pump may need to be returned for repair.

Other problems that may occur without a fault message

Situation “A”

If tubing becomes kinked or milk back flows into the filter the pump will lose vacuum and pulsate quickly. You will either need to unkink tubing or change the filter if milk is in the filter, as the filter cannot be cleaned. (Filter is a safety feature that prevents milk, bacteria, and viruses from getting into the motor of the pump.) It's important to remember to turn off pump first before removing breast cups from

breast. This will minimize risk for back flow of milk.

Situation “B”

You may see moisture accumulate in the tubing. This is normal due to the difference in body temperature versus room temperature. If this occurs after you have finished pumping, remove tubing from breast cup assembly caps, let the tubing hang down, and use **Dry Mode**. See how to use Dry Mode [on page 14](#).

Situation “C”

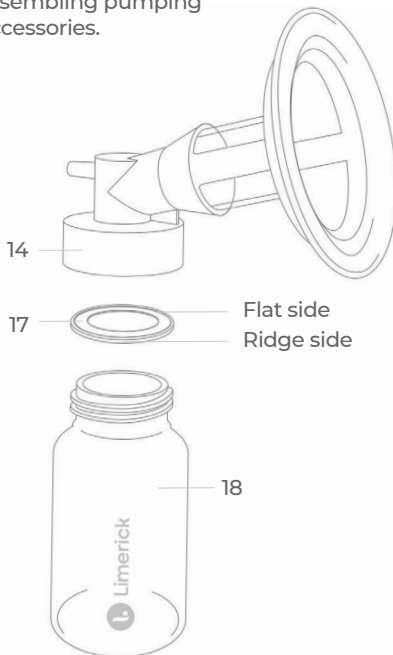
If suction feels weaker on one side, see troubleshooting table **Problem C** [on page 41](#).

Accessory Kit Setup and Assembly

⚠ Caution! Use only Accessory Kits made by Limerick, Inc. The *Pride* pump operates differently than other pumps so other kits manufactured by another company will not work properly with *Pride* breast pump and will void warranty.

⚠ Warning! The Accessory Kits are personal care items and are not to be shared between mothers. If two or more women wish to share a pump, each must purchase her own Accessory Kit with Filter. For ordering information, [see page 36-5](#).

Wash your hands thoroughly with soap and water before assembling pumping accessories.



Note: Some parts may already be assembled when you purchase the pump.

Step 1

Insert gaskets (17) into breast cup assembly caps (14). The **ridge on the outer edge** of gasket should face outward, towards storage container.

Step 2

Screw storage container (18) onto breast cup assembly caps (14) until they are snug to prevent air leaks.

Step 3

Attach white silicone tube (10) to bottom of the “Y” connector (11) push in securely.

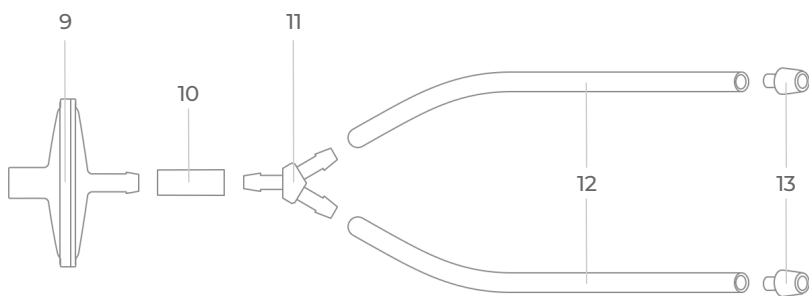
Step 4

Attach the ends of the clear tubes (12) to ends of “Y” connector (11) as shown.

Step 5

Attach a white tube connector (13) to the other end of each of the long clear tubes (12).

Note: Once parts 10-13 (shown on this page) have been assembled, you shouldn't have to take them apart again. If milk gets into tubing, remove filter, rinse with cool water, and then rinse with warm water. Shake tubing to remove water droplets. You may flush tubing with 70% rubbing alcohol to help dry tubing. Hang over chair to dry.

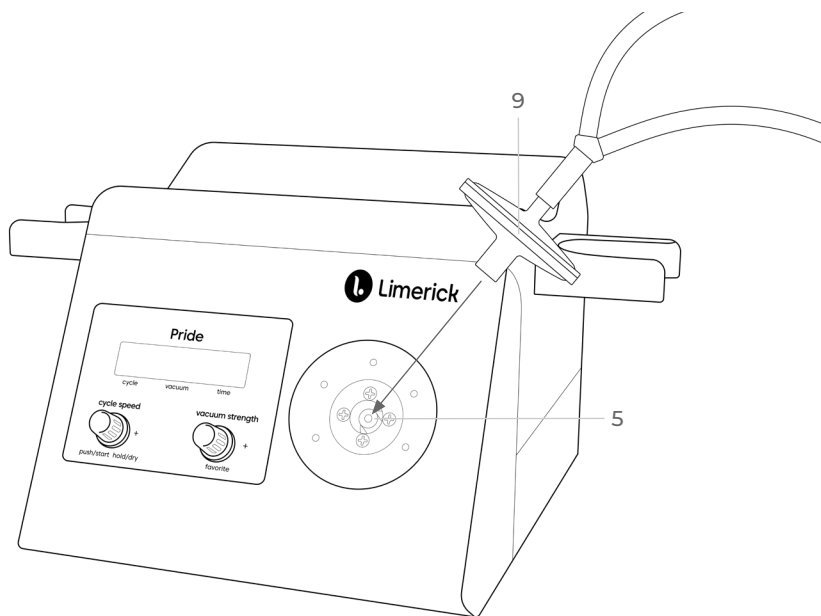


Step 6

Attach white silicone tube (10) to narrow end of filter (9). End of filter (9) must touch Y connector (11) inside tubing (10). If not, tubing can kink and stop vacuum.

Step 7

Insert the wide end of the filter (9) into the filter connector (5) on the front of the pump.



Double Pumping Setup

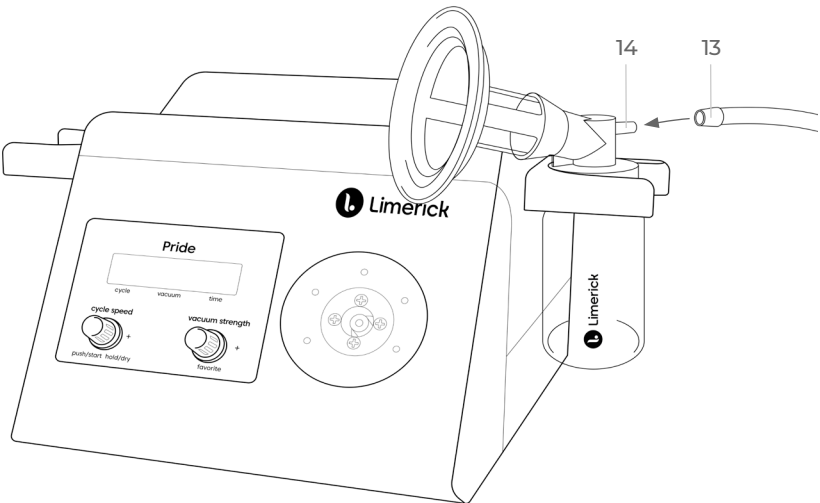
Expressing milk from both breasts

For the amount of time it takes to double pump, [see page 27-5](#).

Place storage container in storage container holders on the sides of the pump until you are ready to express your milk.

Step 8

Attach white tube connectors (13) to the breast cup assembly caps (14).



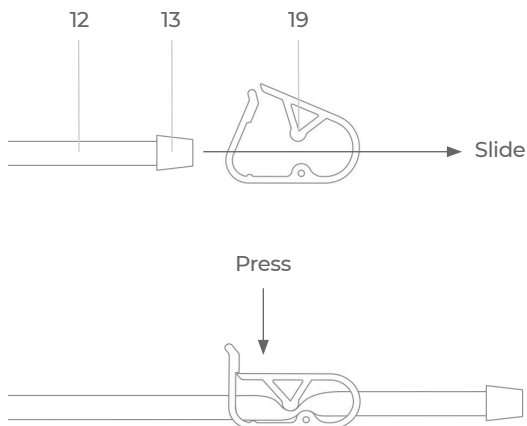
Single Pumping Setup

Expressing milk from one breast at a time

For the amount of time it takes to single pump, [see page 27-5](#).

Step 8

Open tube clamp (19) wide to slide the tube connector (13) and clear tubing (12) through one end of the filter assembly. Then squeeze the tube clamp until it clicks closed to prevent the loss of vacuum.



Expressing Your Milk

Preparing to express breast milk

- The environment and your frame of mind are very important when you are getting ready to express your breast milk.
 - Wash your hands thoroughly with soap and water before expressing your milk.
 - Bring water to drink while you're pumping.
 - Find a quiet, comfortable room (not too cold or too warm).
 - Sit in a comfortable chair.
 - Relax. Close your eyes and take several slow deep breaths. A picture of your baby or a piece of clothing that smells like your baby will help your milk let-down. It may help to record sounds or video of your baby and play them back while pumping. Or, listen to your favorite music.
 - Massage, compress, or stroke your breast before and during pumping session.
-

Testing vacuum cycling and suction before Pumping

Hold the two cups together (as shown on our website) and turn power on. Observe soft cups collapse and then inflate in rhythmic motion. If they only collapse, there is an air leak. Make sure the gaskets are inserted properly (ridge should face the storage container), then tighten the storage container and the other connections. It's recommended supply mains be no more than three feet from the pump. The patient should be sitting up and should be approximately 24 inches from the control panels on the pump. The breast cups should be centered on the breast, the operator should press the cycle speed/power knob (1), and the breast cups should inflate and collapse.

Expressing breast milk

For assembling pump and accessories, [see page 11-5](#).

1. Plug cord into outlet.
2. Center the breast cups over the nipples and turn the pump on by pressing the cycle speed/power knob (1).
3. Once you've begun pumping, you can adjust vacuum strength and cycle speed to your comfort. [See "Controls and Features" on page 12](#).
4. Hold one storage container in the crook of your arm and the other in your hand. Now one hand is free to adjust pump settings, rock the cradle, or answer the phone.
5. When finished pumping, turn off pump then remove breast cups from breast. Carefully set storage containers into holders (6), [on page 4](#)) to prevent tipping over and milk spilling into tubing.



⚠ Caution! Turn off pump first before removing breast cups from breast. Do not tip storage containers or allow them to overfill or milk will enter tubing and filter. If this happens, remove filter, rinse tubing with cool water and then warm water. Air dry. The filter must be replaced if it gets wet or if milk gets inside. [See page 20](#).

Storing breast milk for term infants at home or away

Your *Pride* breast pumps are equipped with storage containers for

collection and storage of milk. Also supplied are caps to hold the white seal for storage of breast milk (parts 20-21, [on page 5](#). For information on purchasing additional storage containers and accessories, [see "Ordering Replacement Parts or Optional Accessories" on page 36](#).

- Label container with date, time, and infant's name if taking to daycare.
- Use fresh milk whenever possible.
- Freshly expressed milk is safe at room temperature (16 - 29° C/ 60 - 85° F) for ≤ 4 hours. 6 - 8 hours is acceptable under very clean conditions.
- Refrigerate milk if going to use in the near future.
- Milk is good in the refrigerator for 4 days when kept at 4° C/ - 39.2° F.
- Freeze milk immediately if not going to be used or shipped within 48-72 hours.
- Use milk stored in a self-defrosting freezer (separate from refrigerator). Optimal: 6 months. Acceptable: 12 months.

Pumping Methods and Patterns

Follow one of these pumping methods and follow the pattern unless otherwise prescribed by your physician or health care professional.

Double pumping

Pumping both breasts at the same time is recommended as it yields higher milk volume. This method takes approximately 15-20 minutes. [See “Double Pumping Setup” on page 22.](#)

Single pumping

For single pumping, [see “Single Pumping Setup” on page 23.](#)

1. If the infant has suckled on one breast, or one breast does not need pumping for some other reason, milk may be expressed from the second breast continuously, which takes approximately 15-20 minutes.
2. If both breasts are to be pumped, express milk from one breast at a time, switching sides as indicated below. This method takes approximately 30 minutes.
 - Pump first breast for 7 minutes.
 - Pump second breast for 7 minutes.
 - Go back to the first breast for 5 minutes.
 - Then go to second breast for 5 minutes.
 - Go back to first breast for 3 minutes.
 - Then pump second breast for 3 minutes.

 **Caution! Do not allow storage containers to overflow**

If overflowed, milk can enter the tubing and filter. In that case, filter and tubing must be replaced ([see page 30-5](#)).

Multiple User Instructions

The *Pride* hospital grade breast pump can be shared by multiple women, for example, in a hospital. (Only one woman can use the pump at any time. Multiple users cannot pump simultaneously.)

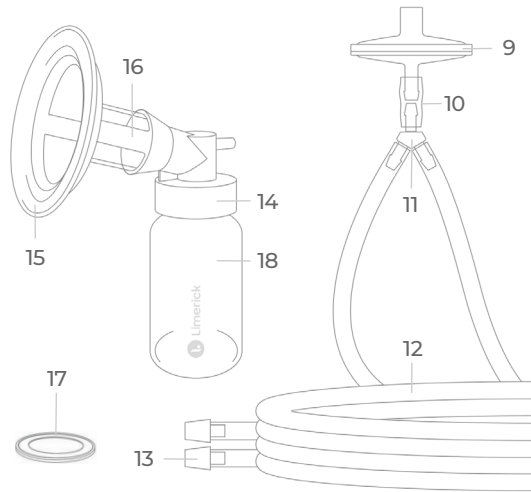
! WARNING! ONLY THE PUMP ITSELF IS TO BE SHARED.

The breast cup/storage container/tubing assembly and filter are personal care items designed to be used by one person only. **EACH WOMAN MUST HAVE HER OWN ACCESSORY KIT WITH FILTER** (pictured below).

Contact your retail merchant or Limerick, Inc., to purchase additional accessory kits with filters. [See page 36](#) for contact information. Instructions for changing the filter and for cleaning the pump between users are on the following page.

DO NOT SHARE THESE PARTS.

- Filter (9)
- White tube (10)
- Y connector (11)
- Clear tubing (12)
- Tube connector (13)
- Breast cup assembly cap (14)
- Silicone breast cup (15)
- Breast cup brace (16)
- Gasket (17)
- Storage container (18)



Pump Care and Cleaning

When pump is shared by multiple users, such as in the hospital, wipe unit with a damp cloth containing a germicidal detergent. Dry with a soft cloth. Wash holders in detergent, using germicide when more than one person uses them.

 **DO NOT IMMERSE PUMP IN WATER.**

When to change the filter

1. If milk enters filter.
 2. If the filter gets wet.
-

How to change the filter

1. Remove filter (9) from filter connector (5) on the pump and from white silicone tube (10).
2. Press short white silicone tube (10) onto narrow end of new filter (9). The end of the filter and Y connector (11) should be touching. If they do not touch, the tubing could kink and stop the vacuum.
3. Insert large end of new filter (9) into filter connector (5).

Note: The filter is designed to last the duration of your current breast-feeding goals.

Transportation Information

Temperature between 40 F degree to 130 F degrees

Humidity: 75%

Altitude: 35,000 feet

Accessory Care and Cleaning

Before the first time you use your pump, you must sanitize the parts that come into contact with your milk. [See “Accessory Kit Sanitizing” on page 8.](#)

After each use

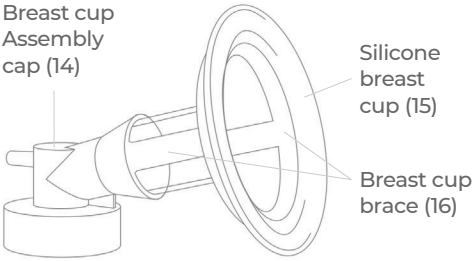
1. Remove tube connector/clear tubing assembly (10-13) from both breast cup assemblies (14-16). **DO NOT WASH FILTER (9), TUBING (10 & 12), Y CONNECTOR (11), or TUBE CONNECTOR (13).**
2. Unscrew storage container (18) from cap (14) and remove clear cap gasket (17). **It isn't necessary to remove breast cups (15) and braces (16) from breast cup assembly caps (14).**
3. Rinse with cool water to remove milk residue.
4. Wash breast cup assembly (23) and storage container gaskets (17) in hot soapy water. Breast cups are dishwasher safe. We recommend washing by hand or using the steam sanitizing bags to avoid soap residue from dishwasher.
5. Use cleaning brush (22) to clean inside lid of cap (14).
6. Rinse in hot water.
7. Place parts on a clean towel and let air dry. Cover after dry.
8. If milk spills on outside of tubing, wipe with a clean lightly soaped damp cloth and then wipe with a plain clean damp cloth.
9. Storage container cap and inserts (18, 20, and 21) are dishwasher safe. We recommend washing by hand or using the steam sanitizing bags to avoid soap residue from dishwasher.
10. Before each use visually inspect the individual components for cracks, chips, tears, discoloration, or deterioration. In the event

that damage to the device is observed, please discontinue use until the parts have been replaced.

Wash these parts

Breast cup assembly (23), parts (14 - 16)

Breast cup
Assembly
cap (14)

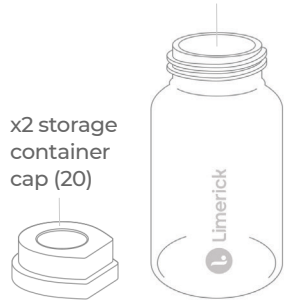


Silicone
breast
cup (15)

Breast cup
brace (16)

Storage
container (18)

x2 storage
container
cap (20)



Gasket (17)

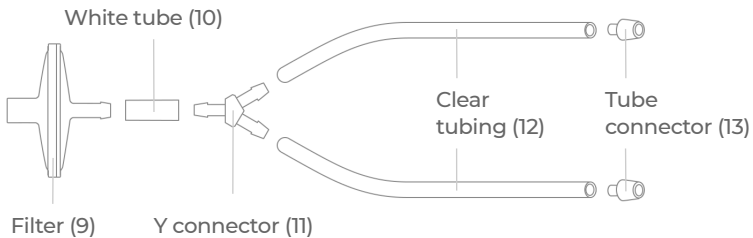
x2 storage container
cap insert (21)

The breast cup assembly(23) and gasket (17).

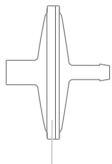
Don't wash these parts

If outside of parts 10-13 get dirty, wipe with a damp lightly soaped cloth. If milk gets inside, [see instructions on page 20](#).

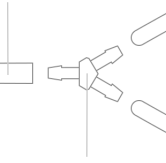
The filter, tubing, connector, clamp, and "Y" connector do not need to be cleaned as air is all that flows through these parts.



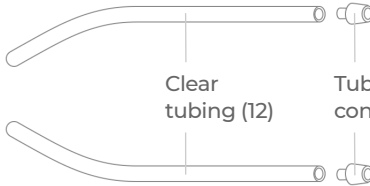
White tube (10)



Filter (9)



Y connector (11)



Clear
tubing (12)

Tube
connector (13)

Troubleshooting

Troubleshooting your *Pride* multi-user breast pump is designed for ease of use, effectiveness, and safety. Our high standards are the result of our certified lactation consultants' experience with tens of thousands of mothers expressing milk for their infants. If you have any questions about the use or assembly of your *Pride* breast pump, see "[Accessory Kit Setup and Assembly](#)" on page 19 and/or go to limerickinc.com to make sure you have assembled the accessory kit properly.

Problem A: 1) Pump not turning on and 2) no lights are on are both indications of a possible power adapter failure

Instruction:

1. Ensure adapter power jack is inserted fully and doesn't feel loose.
 2. Unplug the power adapter completely from the pump and wall outlet; inspect the cords for any signs of damage.
 3. Try plugging power adapter into another wall outlet.
 4. Call Limerick Customer Service.
-

Problem B: Not cycling; there is suction but no releases (indication of air leak in tubing kit or possible pump failure)

Instruction:

1. Remove filter with all its tubing from pump entirely.
2. Turn on and set both vacuum and cycle speed to 30 (thirty).
3. Pump should be making a steady sound of pumping, but not a cycling on and off sound.
4. Place finger over the small vacuum hole where the filter goes. (Make sure you get a good seal over small opening in white

connector for filter.)

5. You should now hear the pump sound change to cycling on and off.
 6. Disconnect the tube ends from both storage containers.
 7. Put filter and tubing back into filter holder on pump.
 8. Put your thumbs over both of the tube ends. (Make sure there is a tight seal.)
 9. You should now hear the pump sound change to cycling on and off.
 10. Unscrew the storage containers from the breast cup assembly cap.
 11. Inside the breast cup bottle caps are the silicone gaskets. Ensure that the gaskets are seated well; outer ridge on gasket should be facing you as you place into breast cup assembly cap.
 12. Screw the storage container back onto the breast cup assembly cap. Don't over tighten.
 13. Connect the tubes back onto the breast cup assembly.
 14. Turn pump on, place both of the breast cups onto a hard smooth surface, such as a tabletop.
 15. Both breast cups should be compressing and releasing.
 16. If pump is still not working, call Limerick Customer Service.
-

Problem C: Suction has become weak

Instruction:

1. Is there milk/fluid in the filter? Change filter.
2. If pressure decreases and suction is poor - change filter.
3. Check for vacuum leaks. [See Problem B, Instructions, steps 10-16.](#)

Problem D: Pump is loud

Instructions:

1. Ok to use but needs to be serviced.
-

Helpful tips:

- If pump caused pain or discomfort, immediately pull the filter (9) [on page 15](#) off of the pump to release the vacuum, then press the cycle speed/power knob to turn it off. Should the cup remain stuck with suction to your breast after you have removed the filter and turned off the power, insert your finger between the cup and your breast to break the seal.
- If pump suddenly stops, check outlet plug to be sure it's securely plugged into the electrical outlet. Also check to be sure the plug is inserted properly into the back of the pump and make sure the extension cord is tightly plugged into the transformer.
- For other difficulties, contact Limerick, Inc. for assistance.
- You may also try calling the location where you obtained your breast-feeding product.
- Before use, visually inspect pump for cracks, chips, or deterioration. In the event that damage to the device has occurred, discontinue use and return to Limerick.
- Limerick will perform all preventive maintenance and recalibration when necessary. There are no user-serviceable parts inside.

Ordering Replacement Parts or Optional Accessories

For replacement parts or a catalog, go to limerickinc.com
or call +1 818-566-3060.

To identify parts, [see page 4-5](#).

- Filter with tubing
- Breast cup assembly
- Cleaning brush
- Storage container
- Clamp (for single pumping)
- Power supply
- Colostrum collector
- Rechargeable battery pack
- Hands free system
- Car adapter
- Executive travel kit

Warranty

There is a three-year warranty from original date of purchase for any defect in the material and/or workmanship of the pump motor and/or internal parts in *Pride* hospital grade breast pump. This warranty only extends to the original owner/purchaser. (Kit contents and power supply not included.) Warranty is non-transferable.

This product is warranted by Limerick, Inc., to the original purchaser to be free from defects in material and workmanship. In the event of a defect, Limerick will repair or, at Limerick's option, replace this product without charge for such replacement parts or labor. Purchaser shall bear all expense for returning these products to Limerick. This warranty does not apply to any product which has been subjected to misuse, abuse, or alteration.

Before you make a claim under this warranty, it may save time and expense to call Limerick's Customer Service toll-free: +1 818-566-3060

If you wish to make a claim under this warranty, first call Limerick's Customer Service to get a Return Merchandise Authorization number. Package the pump securely and enclose your dated bill of sale or other proof of purchase and a brief statement of the problem. Please send package, prepaid, to the following address:

Limerick Inc. Service Dept.
2150 N. Glenoaks Blvd.
Burbank, CA 91504

Register your pump at limerickinc.com

Customer Service

Limerick, Inc.
2150 N. Glenoaks Blvd.
Burbank, CA 91504

Available by phone 8:30 AM - 5:00 PM PST
+1 818-566-3060

limerickinc.com/support

Index

- Accessories [36](#)
- Accessory care and cleaning [31](#)
- Accessory kit [iii](#), [2](#), [6](#), [8](#), [17](#), [33](#)
- Benefits [7](#)
- Breast cup [9](#), [10](#), [32](#), [36](#)
- Breast cup assembly [5](#), [9](#), [10](#), [32](#), [36](#)
- Breast cup bottle cap [5](#), [9](#), [10](#), [29](#), [32](#)
- Breast cup brace [9](#), [10](#), [32](#)
- Caution [iii](#), [1](#), [3](#), [8](#), [19](#), [25](#), [28](#)
- Cleaning brush [36](#)
- Clear tubing [8](#), [23](#), [29](#), [31](#)
- Cycle speed [12](#), [13](#), [14](#), [17](#), [24](#), [25](#)
- Cycle speed knob [12](#), [14](#)
- Double pumping [27](#)
- Dry mode [14](#), [18](#)
- Error code [17](#)
- Expressing milk [ii](#), [22](#), [23](#)
- Features [12](#), [14](#)
- Filter [17](#), [19](#), [28](#), [36](#)
- First-time use [14](#)
- Kit assembly [19](#)
- Kit components [5](#)
- Ordering [19](#)
- Power on/off [12](#)
- Power supply [36](#)
- Pump care and cleaning [30](#)
- Pump components [4](#)
- Pump controls [ii](#)
- Pump setup and assembly [11](#)
- Reasons to use [6](#)
- Replacement parts [36](#)
- Returning [37](#)
- Safety [1](#), [6](#), [17](#), [33](#)
- Sanitizing [ii](#), [iii](#), [8](#)
- Share [19](#), [29](#)
- Single pumping [27](#)
- Storage container [9](#), [10](#), [31](#), [32](#), [36](#)
- Storage container cap [31](#)
- Storage container cap insert [5](#)
- Storing milk [ii](#)
- Testing vacuum [24](#)
- Timer [16](#)
- Troubleshooting [33](#)
- Tube clamp [5](#), [23](#)
- Tube connector [5](#), [9](#), [20](#), [23](#), [29](#), [31](#), [32](#)
- Vacuum strength [13](#), [14](#), [25](#)
- Vacuum strength knob [13](#)
- Warning [iii](#), [19](#)
- Warranty [37](#)
- White tube [5](#), [20](#), [22](#), [29](#)
- Y connector [21](#), [29](#), [30](#)