









Please read this manual before assembling and mounting your product

WARNING: Do not mount on fiberglass or acrylic walls.

Recommendations:

- Get help from another person to measure and to maintain the rod aligned.
- The swivel connector allows the rod to slide back and forth to adjust it in case there are variations in the span between the walls.
- Periodic metal polishing will preserve and protect the chrome finish. This is important if using metal rings.
- Clean with damp cloth only.
- Leave enough room to use a screwdriver to tighten screws A.
- Use silicone or teflon paste on screws A and D to prevent them from getting loose.
- Do not throw away Allen Wrench H.

A	Retaining Screw		4 pcs
B	Swivel Connector		2 pcs
C	Wall Plate		2 pcs
D	Set Screw		2 pcs
E	Rod		1 pc
F	Plastic Anchors		4 pcs
G	Wall Screw		4 pcs
H	Allen Wrench		1 pc

Required tools (not included): Pencil

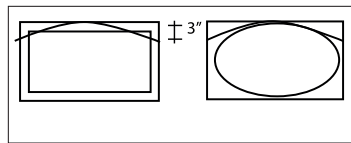
Screwdriver

Tape Measure

Driller

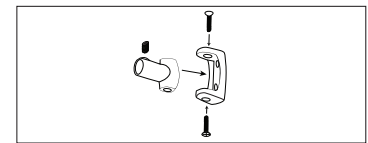


SELECTING DESIRED LOCATION

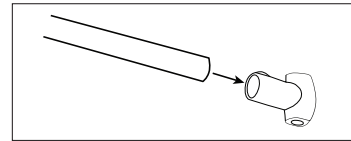


1) For 60" Standard Tub: Mount the rod approximately 3" closer to the wall than where a straight rod would be placed. The midpoint of the rod should extend several inches past the contour of the tub.

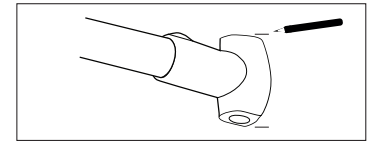
For 60" Oval Tub: The midpoint of the rod should curve just outside the contour of the tub. Measure the desired height, taking into consideration the height of a standard shower curtain and rings.



2) Make sure that pieces B and C are being tightened together by screws A. Also check that screw D is in piece B.

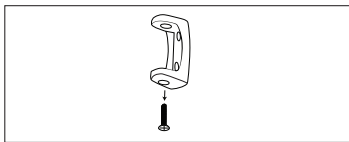


3) Place each end of rod E inside connectors B. Do not tighten screws D yet.

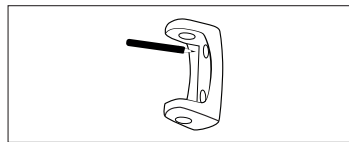


4) Hold rod E up to the desired position. One person at each end. Make sure that the rod is level. Mark with a pencil the top and bottom of piece C at each end. Put everything down.

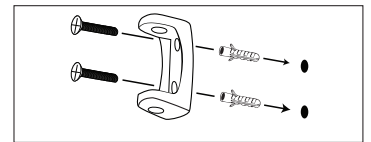
INSTALLING WALL PLATE



1) With a Phillips Screwdriver, remove both screws A from each piece C. Separate pieces B and C, but leave each end of rod E inside each piece B.

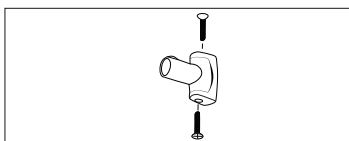


2) Place one piece C at one wall where the pencil mark is located. With the pencil, mark the upper and lower holes. Repeat in the other wall.

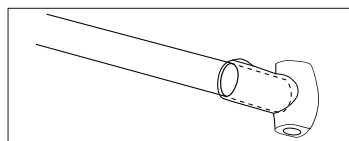


3) Drill the upper and lower holes per wall. Install each one of the anchors F in each hole. Use screws G to tighten piece C to one wall. Repeat with the other wall.

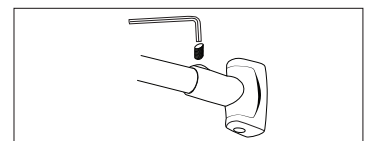
MOUNTING ROD



1) Place rod E with connectors B attached at each end into both pieces C. Make sure that screws D are facing up. Tighten pieces B and C using screws A.



2) Adjusts the rod E. Make sure that both screws D touch the rod E.



3) Using the Allen Wrench H, tighten both screws D.

If you have any questions or concerns, please contact us at: support@plutoninc.com

Visit us at: www.pluviah.com

Imported and distributed by:
Pluton Inc.

821 Union Pacific Blvd., Laredo, TX 78045 USA

Made in China