



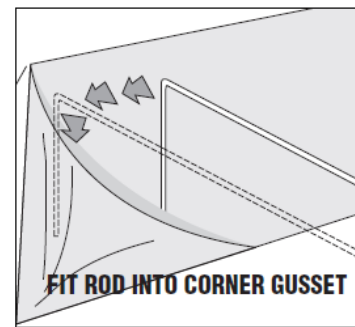
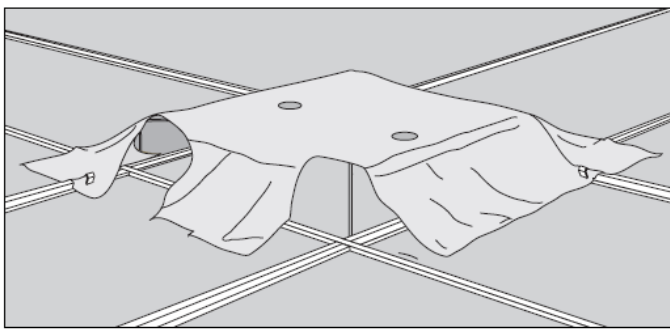
Product Number: 31

Tents For Light Fittings and Air Conditioning Units

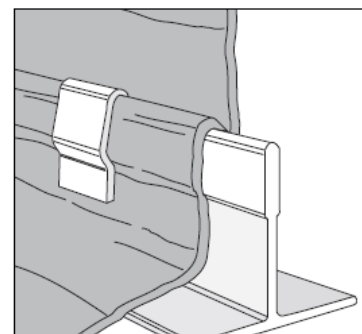
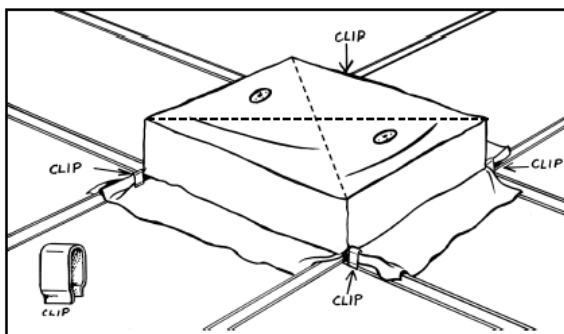
FIXING OPTIONS: SUSPENDED CEILINGS

FIXING INSTRUCTIONS & ASSEMBLY FOR FT2

1. Lay the tent out flat on its back and thread the rods supplied through the centre hold.
(See overleaf for larger tents).



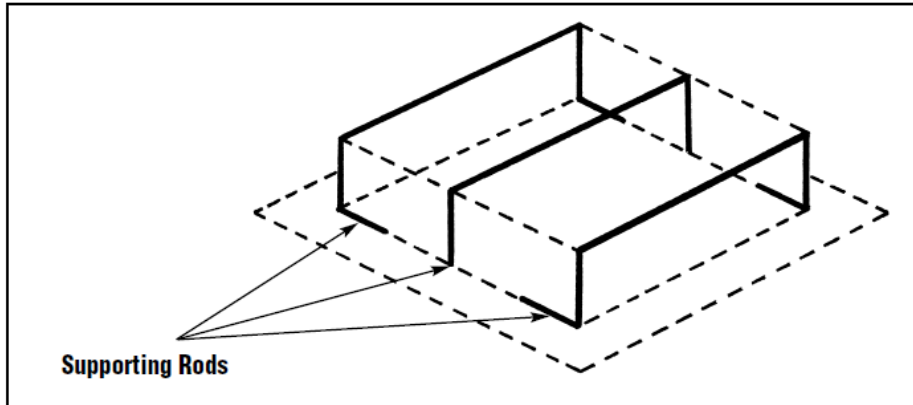
2. With the tent laid out, turn it to its upright position and insert rod ends into their pockets placed at each corner of the tent.



3. Place the tent over the light fitting and fit the cable through the ventilation hole and connect to the light fitting according to the manufacturer's instructions. Go to each corner and pull the material away from the fitting over the T-bar and fix the material to the T-bar with the clips supplied. Pinch each clip with a pair of pliers to fix tightly.

FIXING INSTRUCTIONS & ASSEMBLY FOR FT4/5/6/7/8

1. Lay the tent out flat on its back and thread the rods supplied through the centre and each end.
2. With the tent laid out, turn it to its upright position and insert the rod ends into their pockets placed at each corner of the tent.



3. Place the tent over the light fitting and fit the cable through the ventilation hole and connect to the light fitting according to manufacturers instructions. Go to each corner and pull the material away from the fitting over the T-bar and fix the material to the T-bar with the clips supplied. Pinch each clip with a pair of pliers to fix tightly.
- N.B. With larger tents, follow this procedure, but fix where the tent lies over the centre T-bars with the clips supplied.

IMPORTANT INSTALLATION NOTE:

THE SUPPORT RODS PROVIDED MUST BE FITTED TO THE TENT DURING INSTALLATION.

INTUMESCENT SYSTEMS LTD WILL NOT BE LIABLE IF THE RODS ARE NOT FITTED AS INSTRUCTED AND MAY INVALIDATE THE PRODUCT GUARANTEE