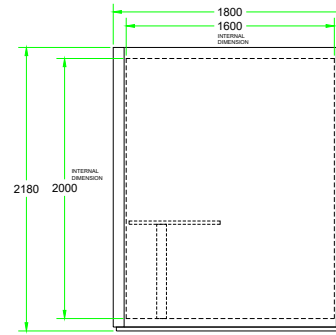
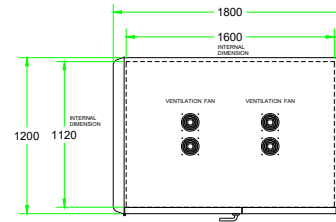
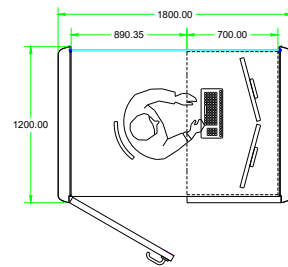


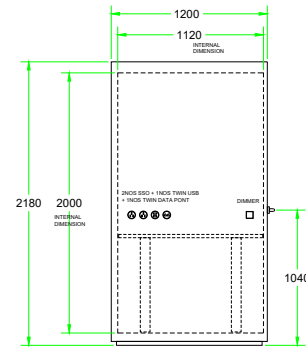
W pod



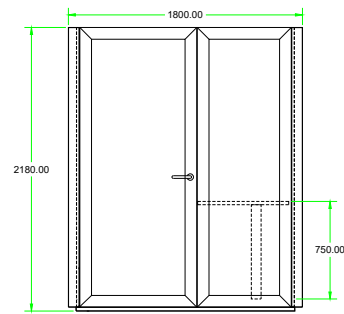
REAR VIEW



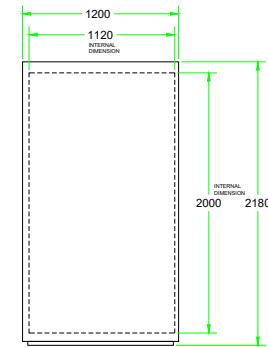
PLAN VIEW



SIDE VIEW



FRONT VIEW



SIDE VIEW