

INAPOD

Office Pod Series

ASSEMBLY DIAGRAM



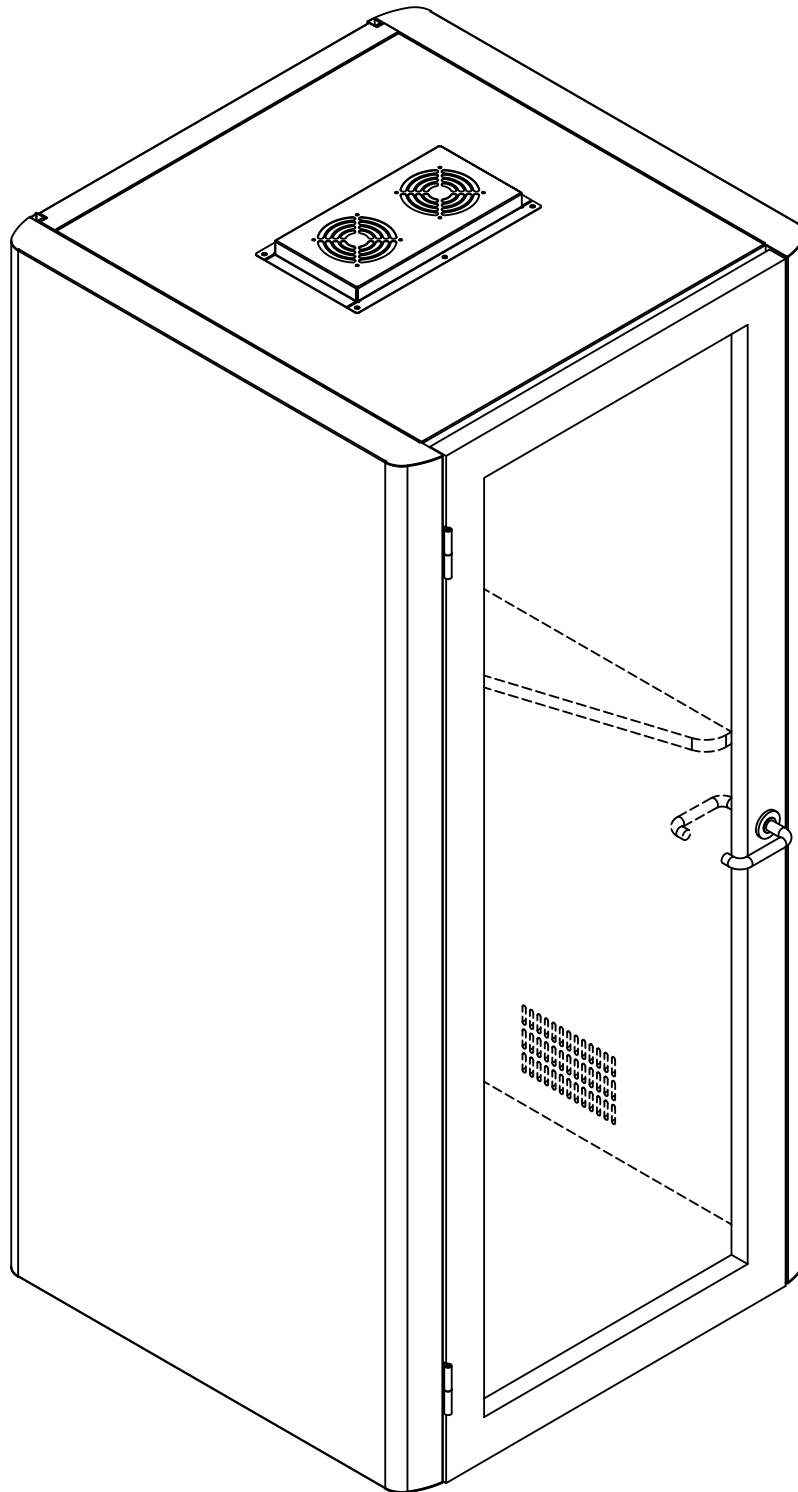
S-POD

SINGLE POD
1 PERSON

INSTALLATION MANUAL

PHONE BOOTH SERIES

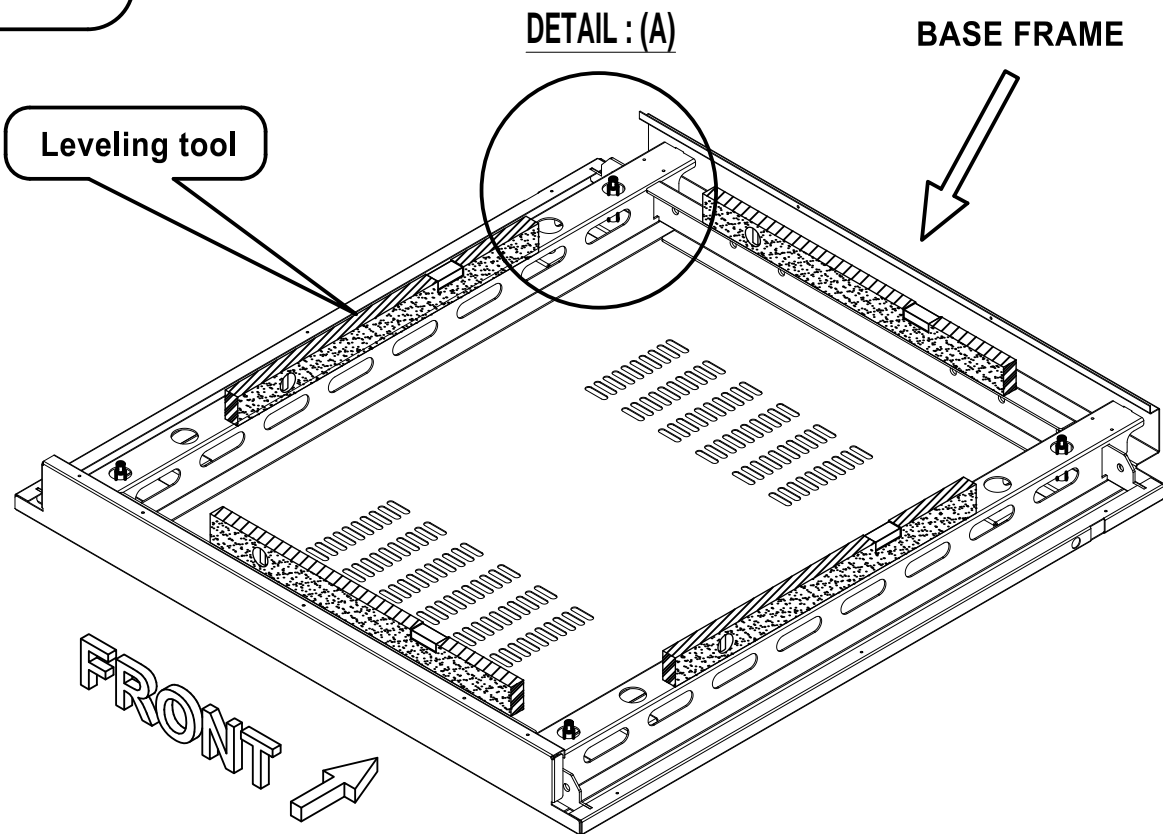
S POD



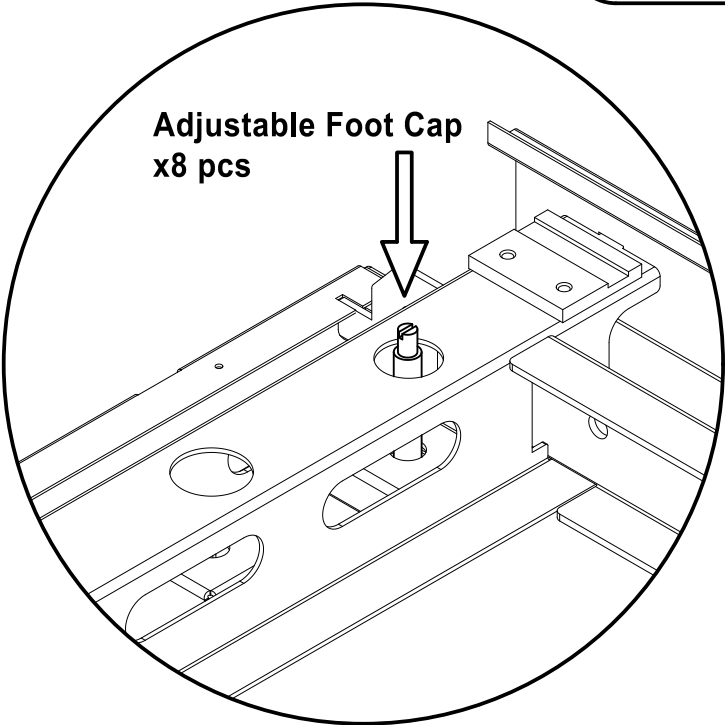
ATTENTION

Please read this instruction carefully and check all the parts before assembly.
Please be careful during the assembly to prevent hurting or damage of product.

1



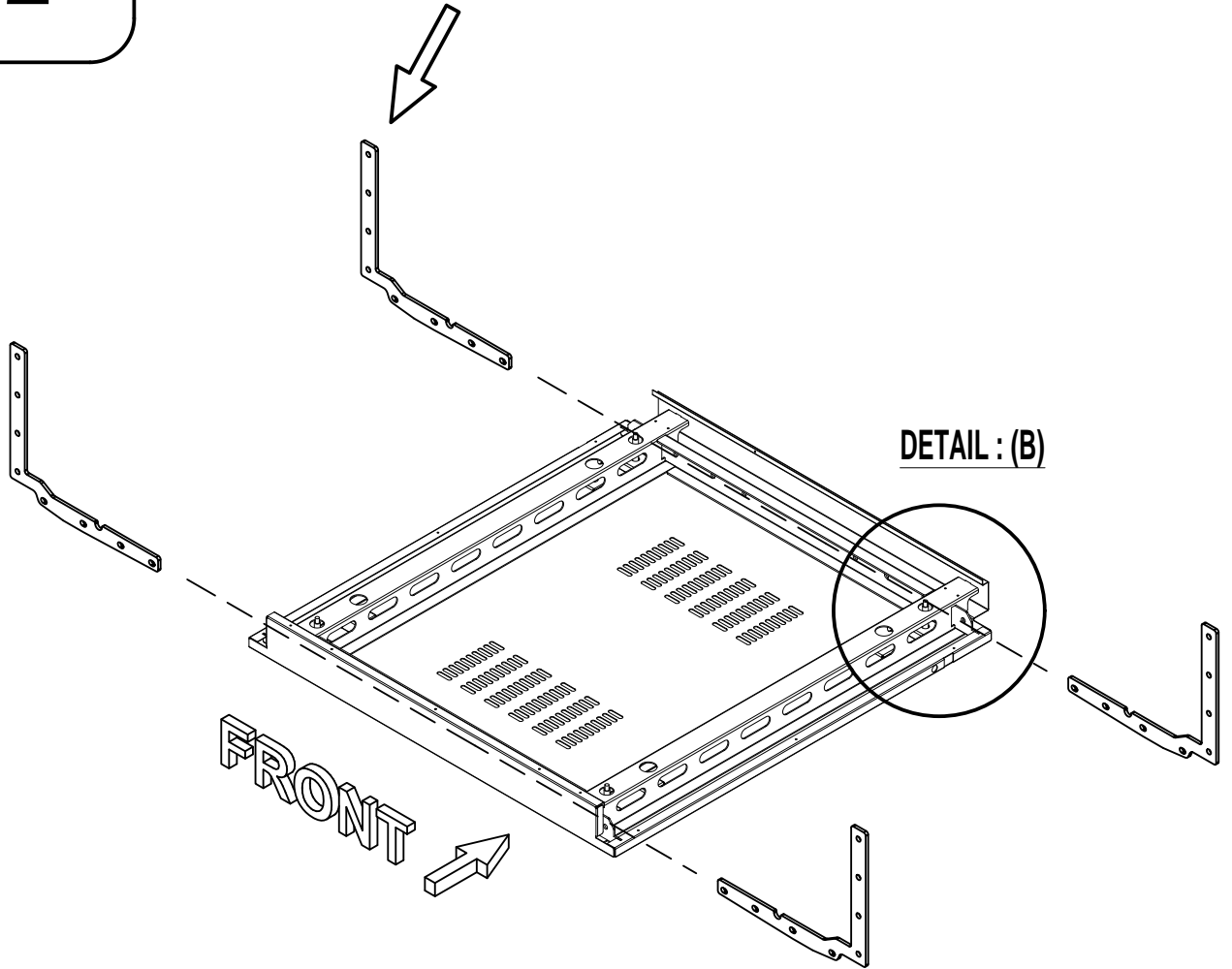
- Step 1 □ Push to final position before setting up the booth
- Step 2 □ Adjustable foot cap for leveling
- Step 3 □ Level the base before installation



DETAIL : (A)

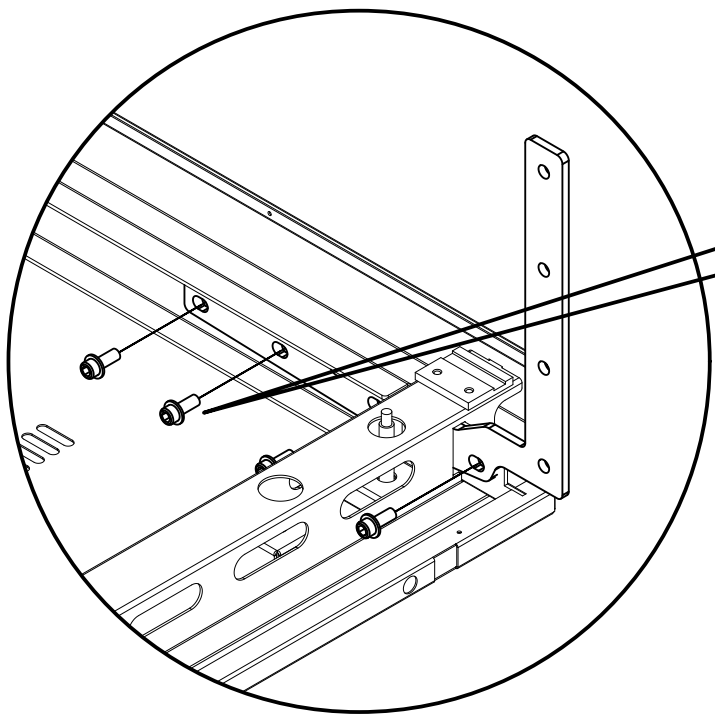
2

REINFORCE 'L' BRACKET

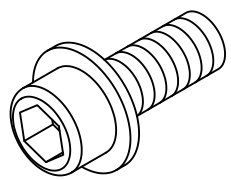


FRONT

DETAIL : (B)



 Do not tighten

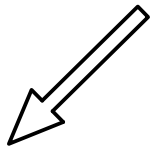


Cap screw with flat washer
(m8 x 20zp)

DETAIL : (B)

3

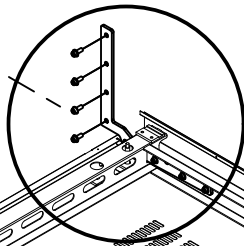
LEFT PANEL



RIGHT PANEL



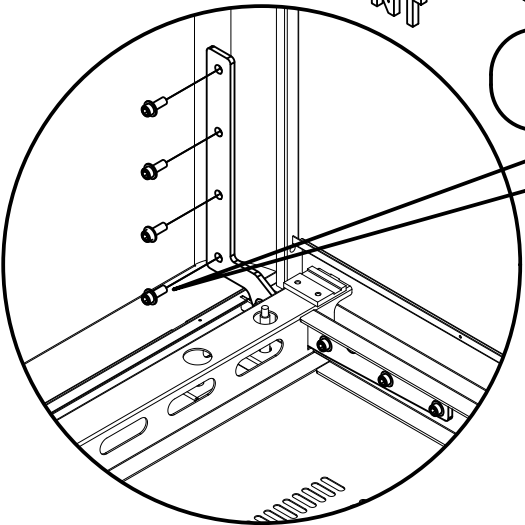
DETAIL : (C)



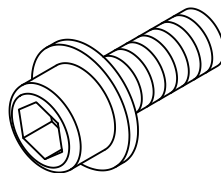
FRONT



 Do not tighten



DETAIL : (C)



Cap screw with flat washer
(m8 x 20zp)

4

REAR VIEW

Rear Top Support

Rear Bottom Support

DETAIL : (D)

SPECIAL TOOL

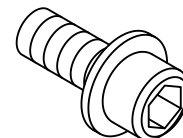
SPECIAL TOOL

DETAIL : (E)

FRONT

DETAIL : (D)

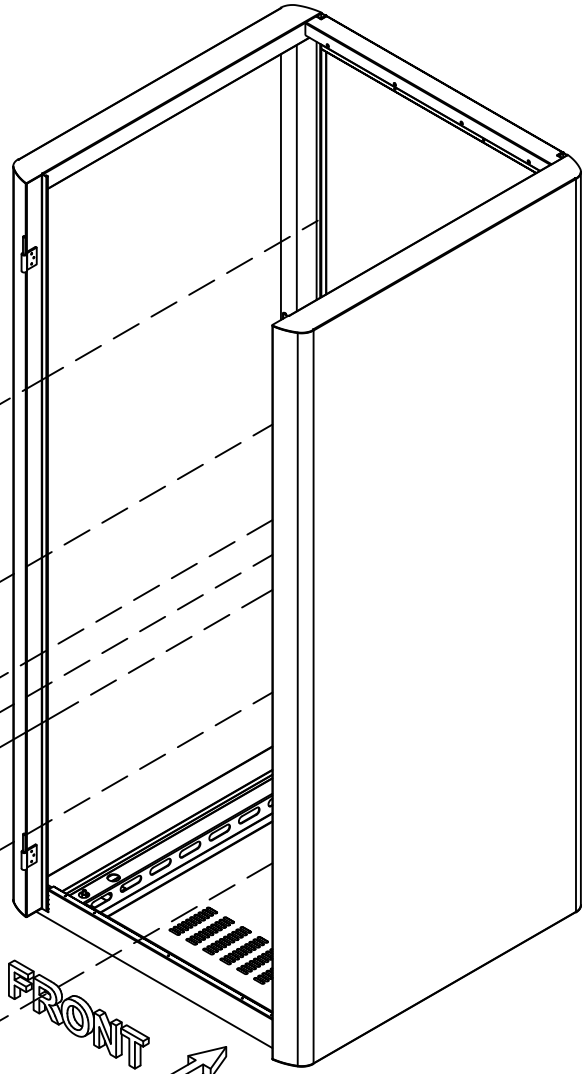
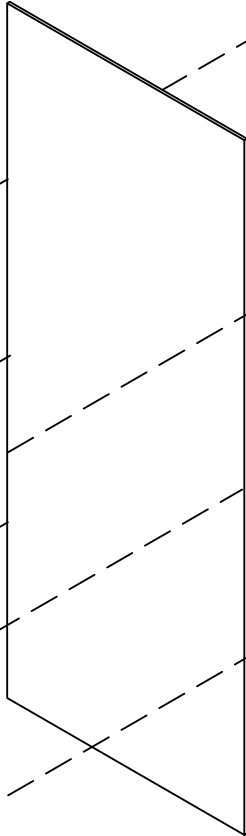
DETAIL : (E)



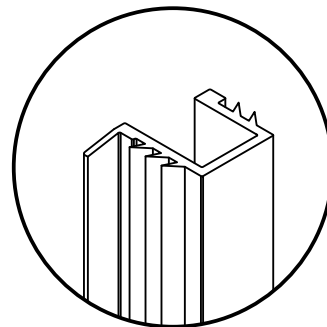
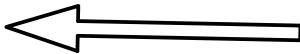
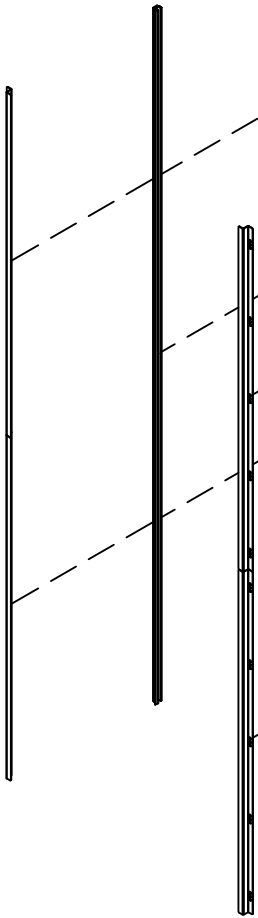
Cap screw with flat washer
(m5 x 16zp)

5

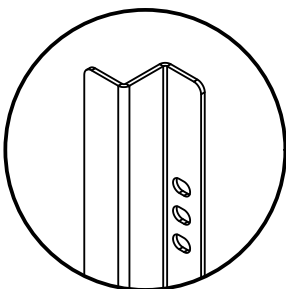
REAR GLASS



FRONT



REAR GLASS RUBBER SEAL
(1990mm x 2pcs)

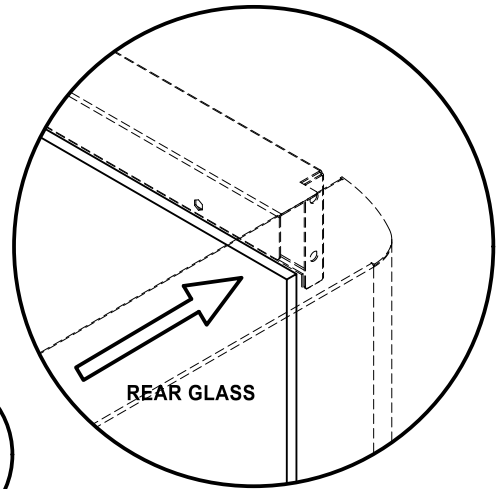
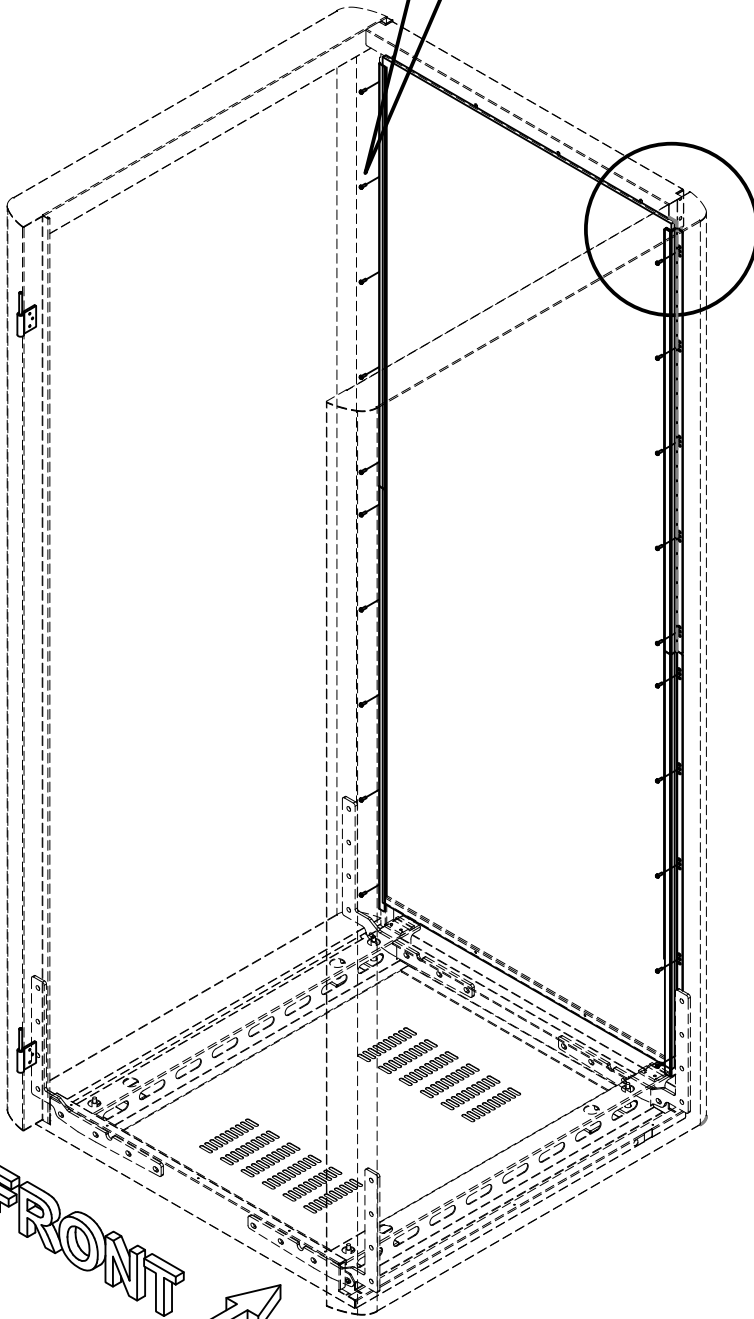


GLASS HOLDER BRACKET
(1004mm x 4pcs)

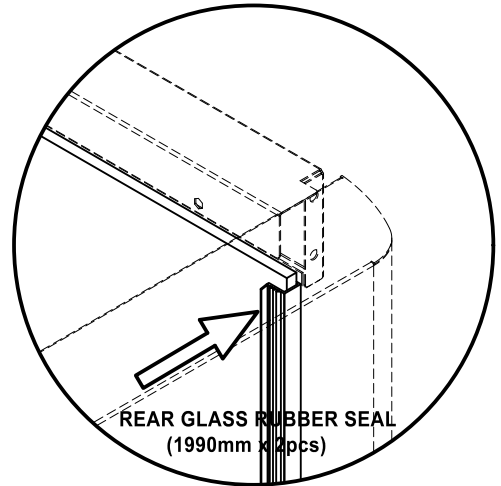
6



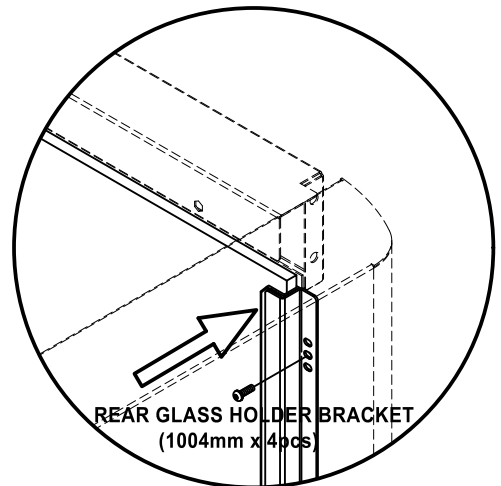
Do not tighten



STEP 1

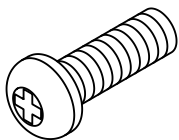


STEP 2



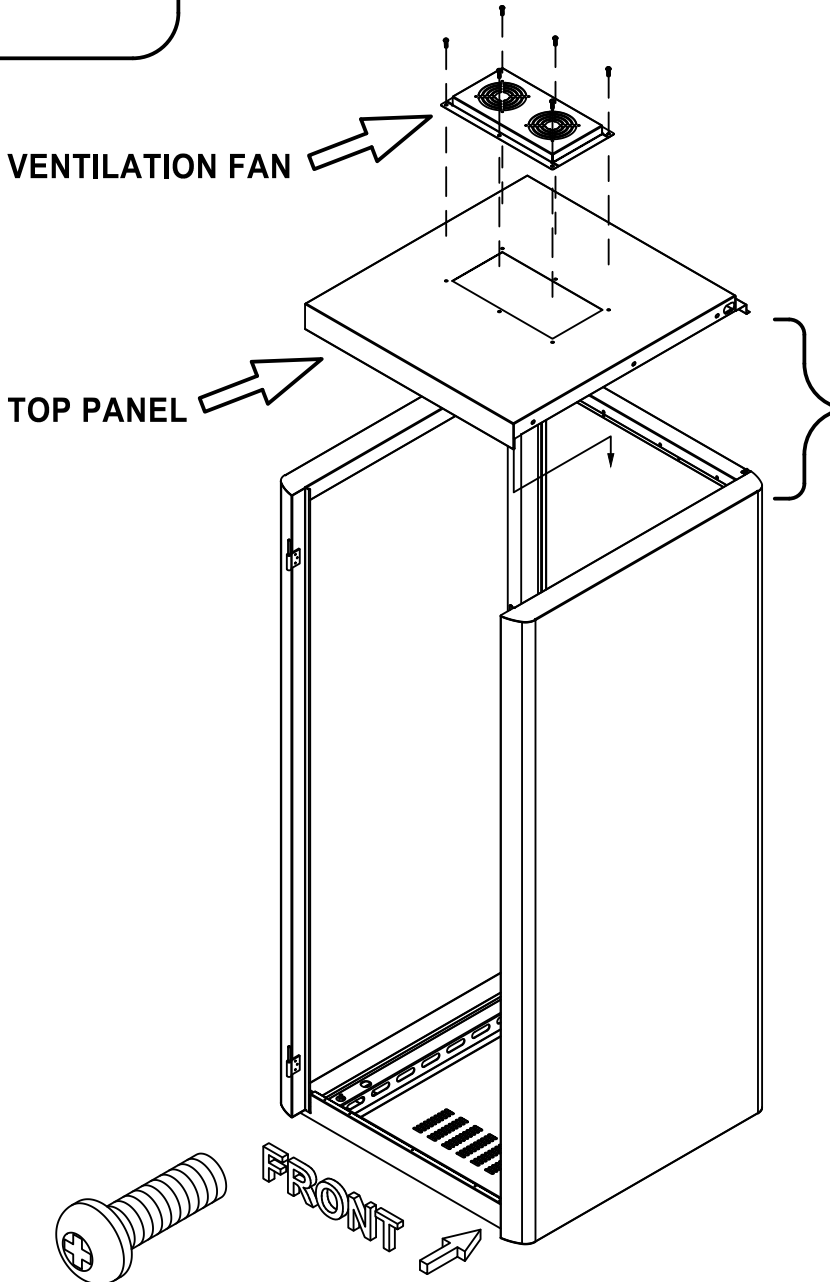
STEP 3

FRONT

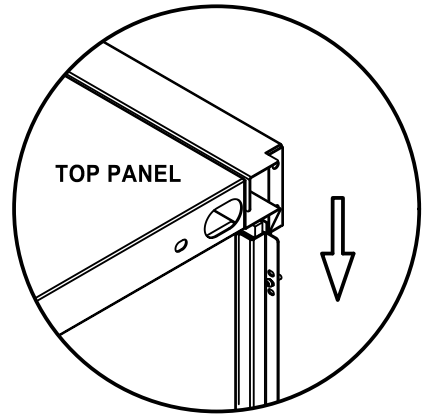
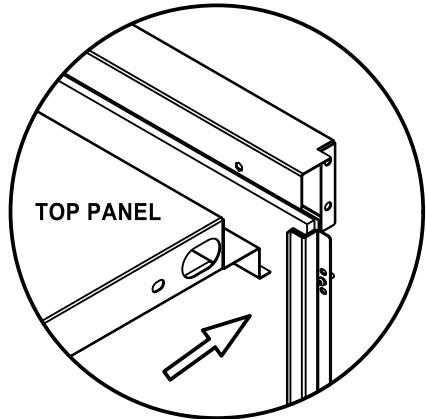
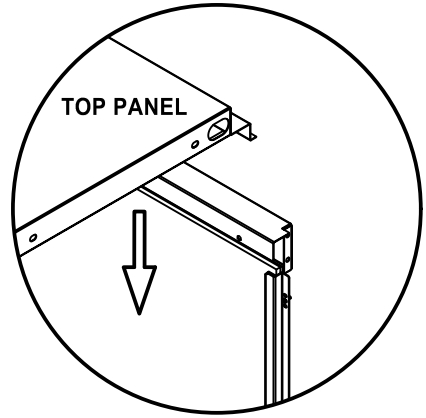


Pan head screw
(m4 x 12)

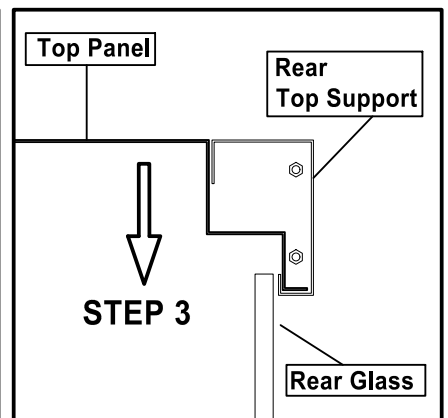
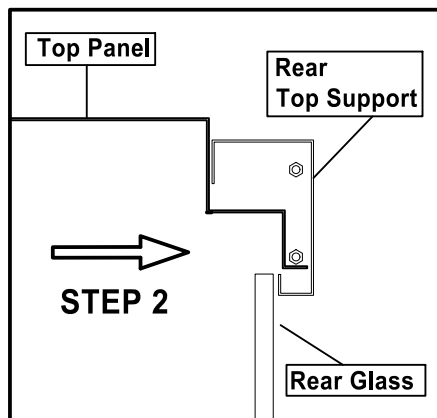
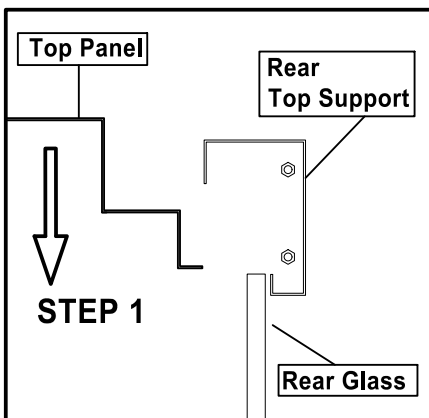
7



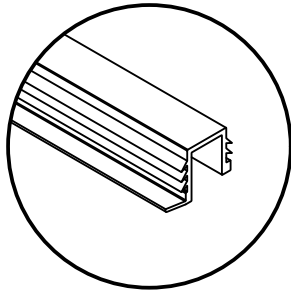
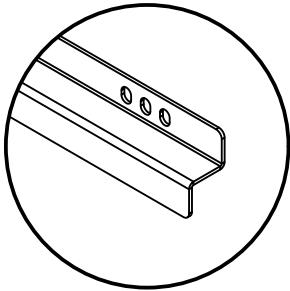
Pan head screw
(m4 x 12)



DETAILS

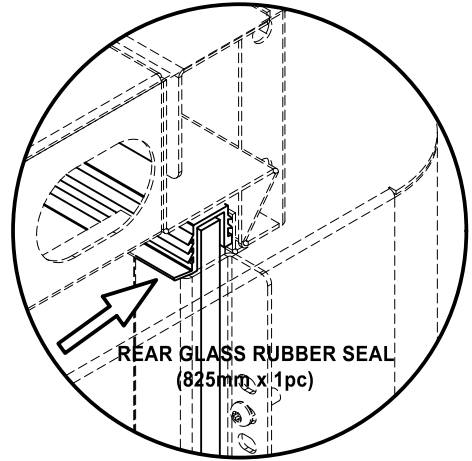
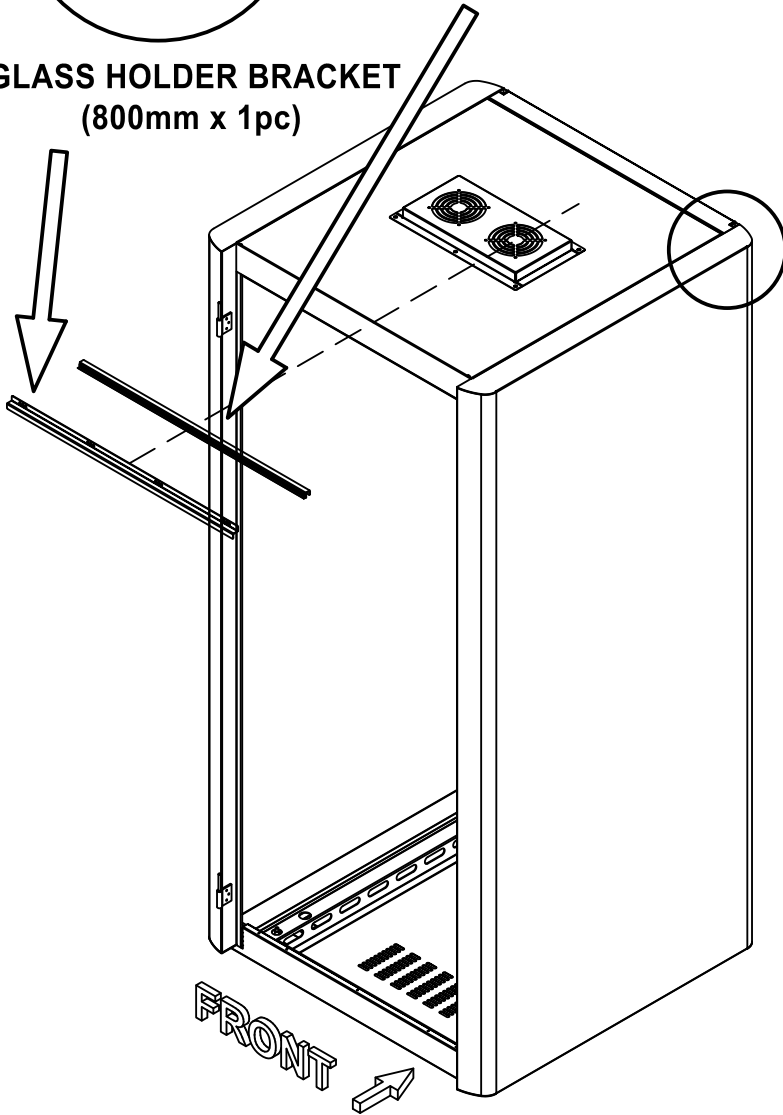


8



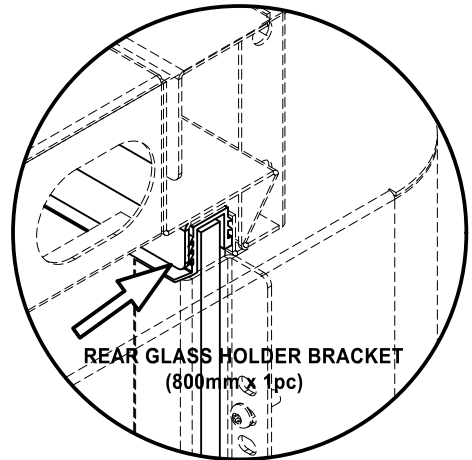
REAR GLASS RUBBER SEAL
(825mm x 1pc)

GLASS HOLDER BRACKET
(800mm x 1pc)



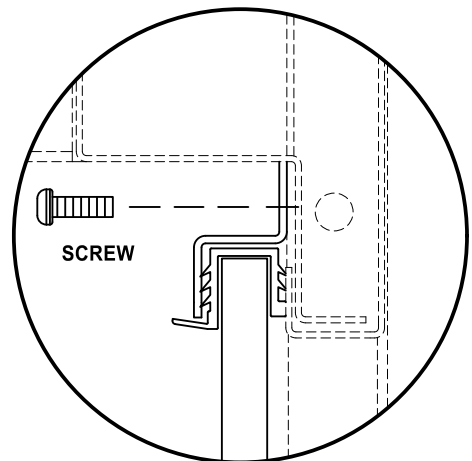
REAR GLASS RUBBER SEAL
(825mm x 1pc)

STEP 1



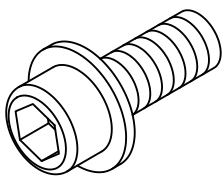
REAR GLASS HOLDER BRACKET
(800mm x 1pc)

STEP 2

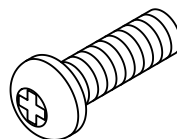


SCREW

STEP 3

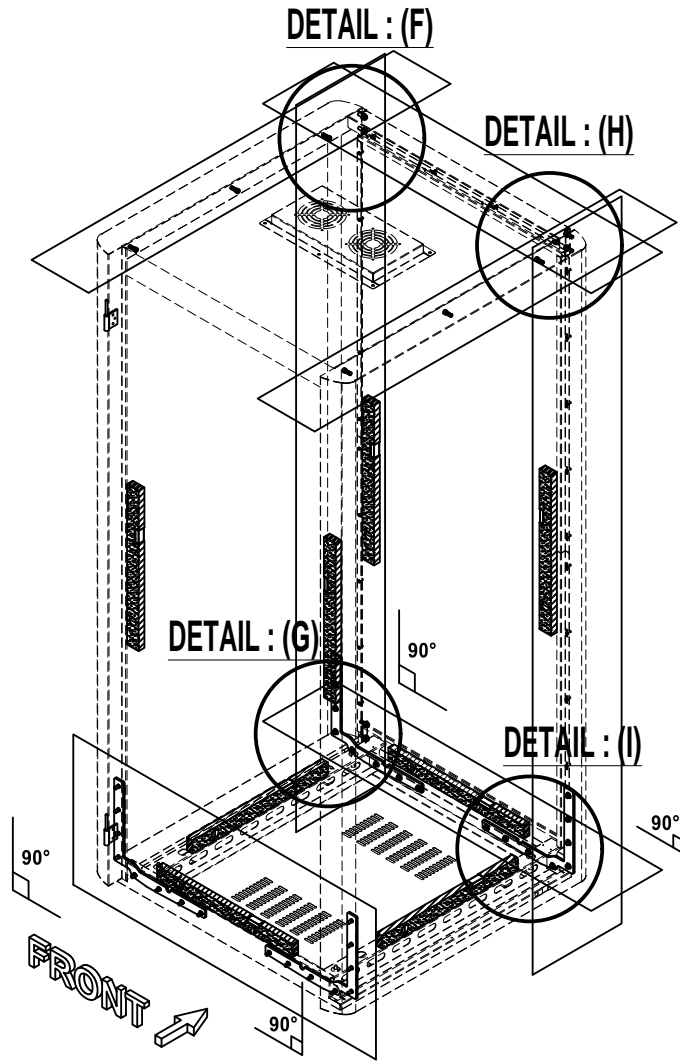


Cap screw with flat washer
(m8 x 20zp)

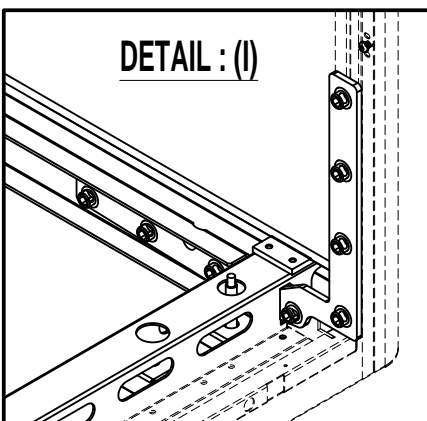
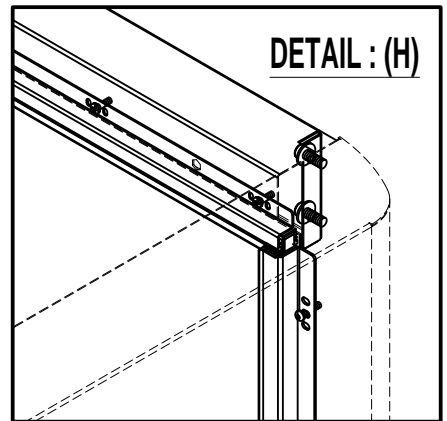
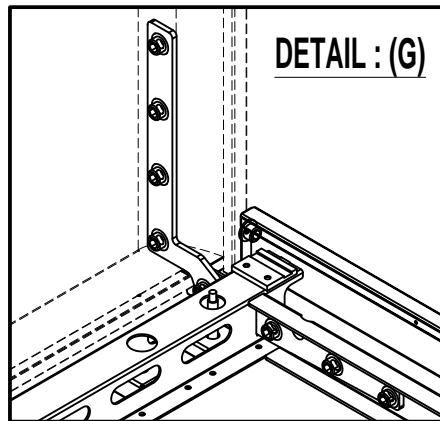
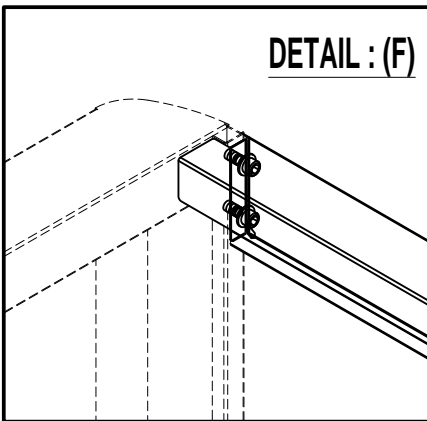


Pan head screw
(m4 x 12)

9



DETAIL : (F,G,H & I)

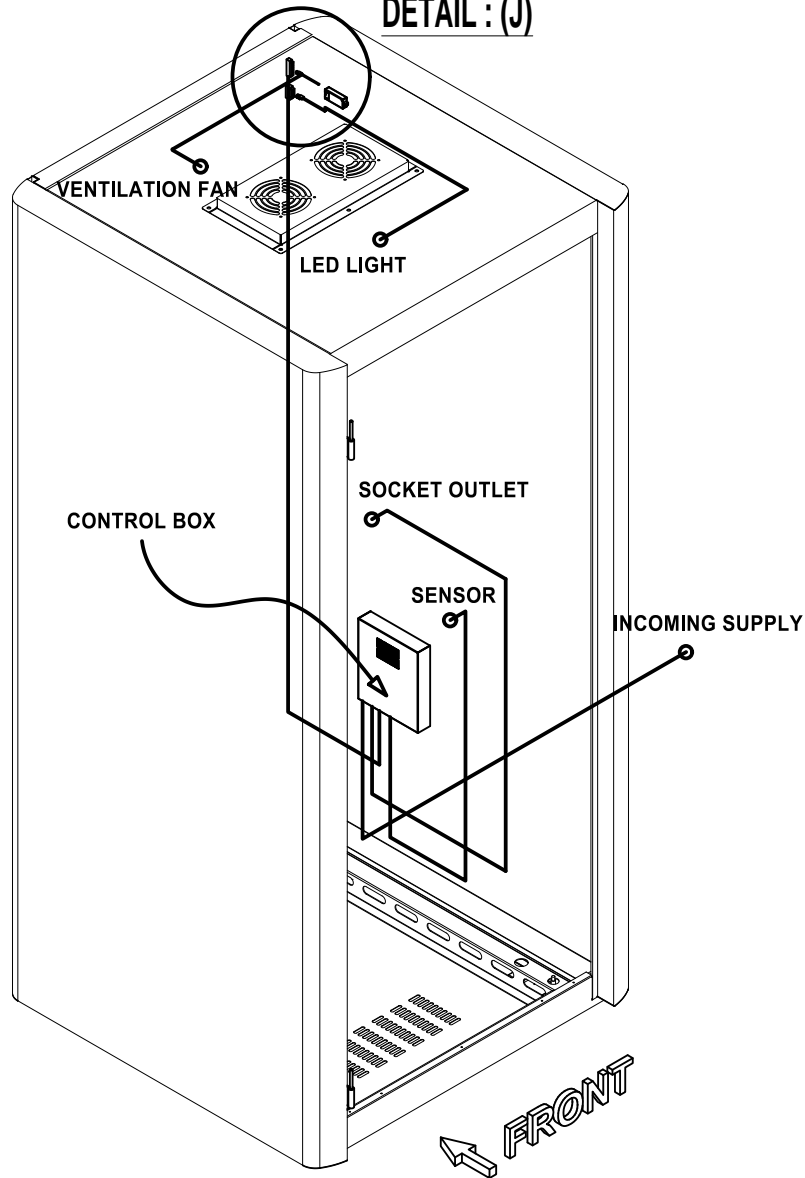


STEP 1 □ Check Leveling

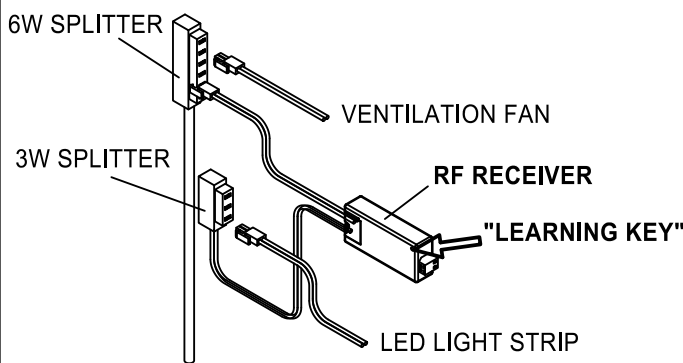
STEP 2 □ Tighten all screw to ensure steady structure

10

DETAIL : (J)



DETAIL : (J)



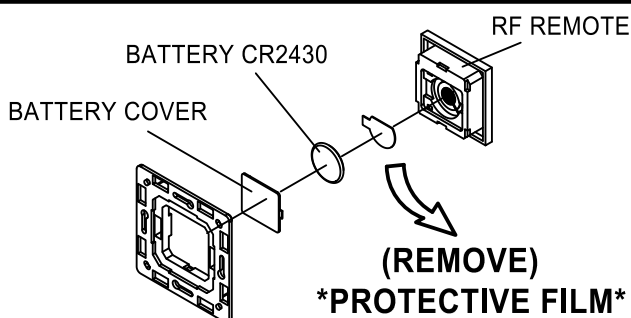
Before the first use, please open the battery cover and remove the *protective film*

PAIR WITH RF RECEIVER

- 1- Click "learning key" on RF receiver
- 2- Click ON or OFF button on RF remote
- 3- LED lights connected with the receiver will flicker once
- 4- The receiver is paired with remote successfully

HOW TO DELETE THE PAIRING

- 1- Press and hold down "learning key" on the RF receiver for over 3 seconds until connected LED lights flicker twice, which means the pairing deleted successfully.



11

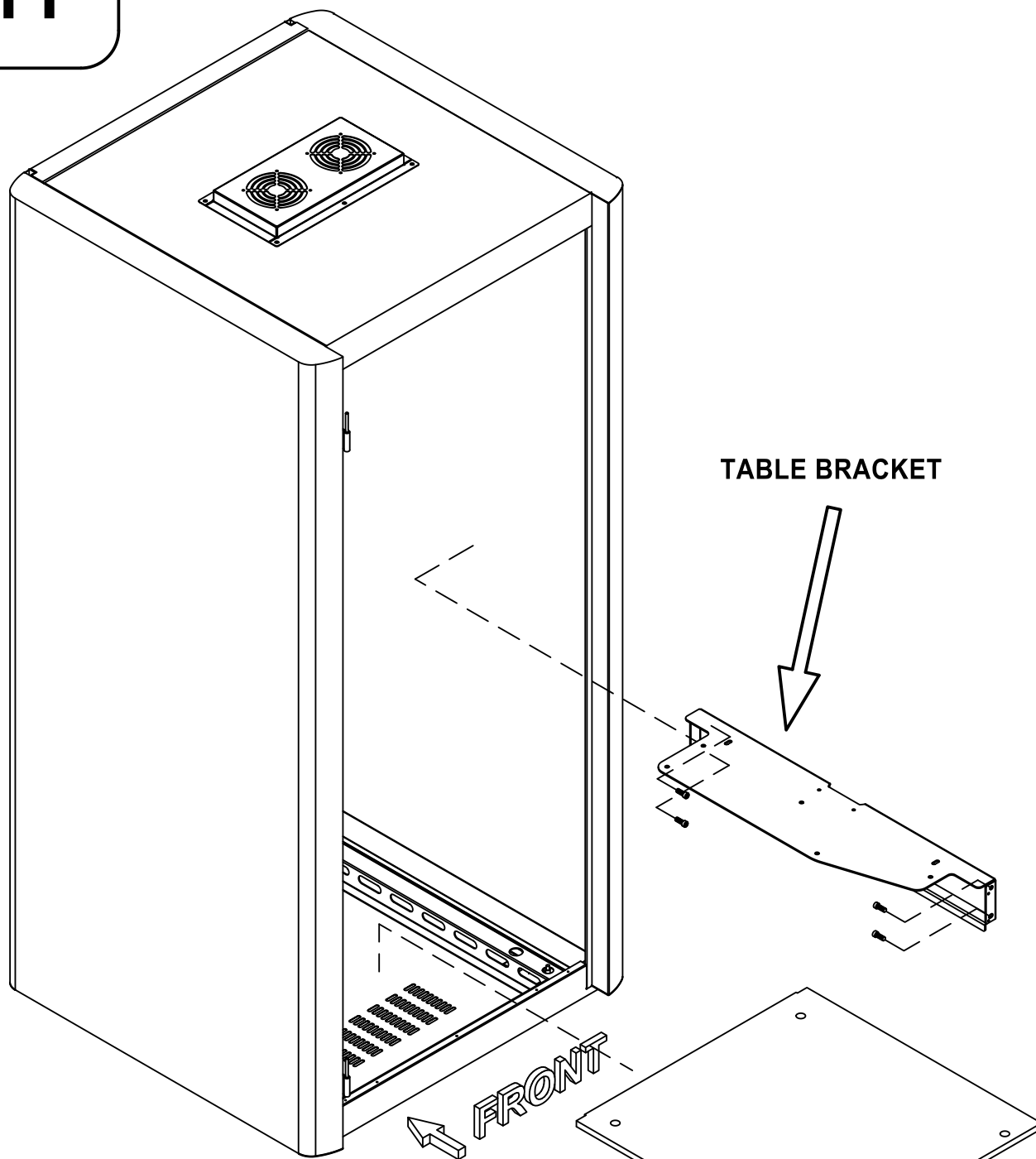
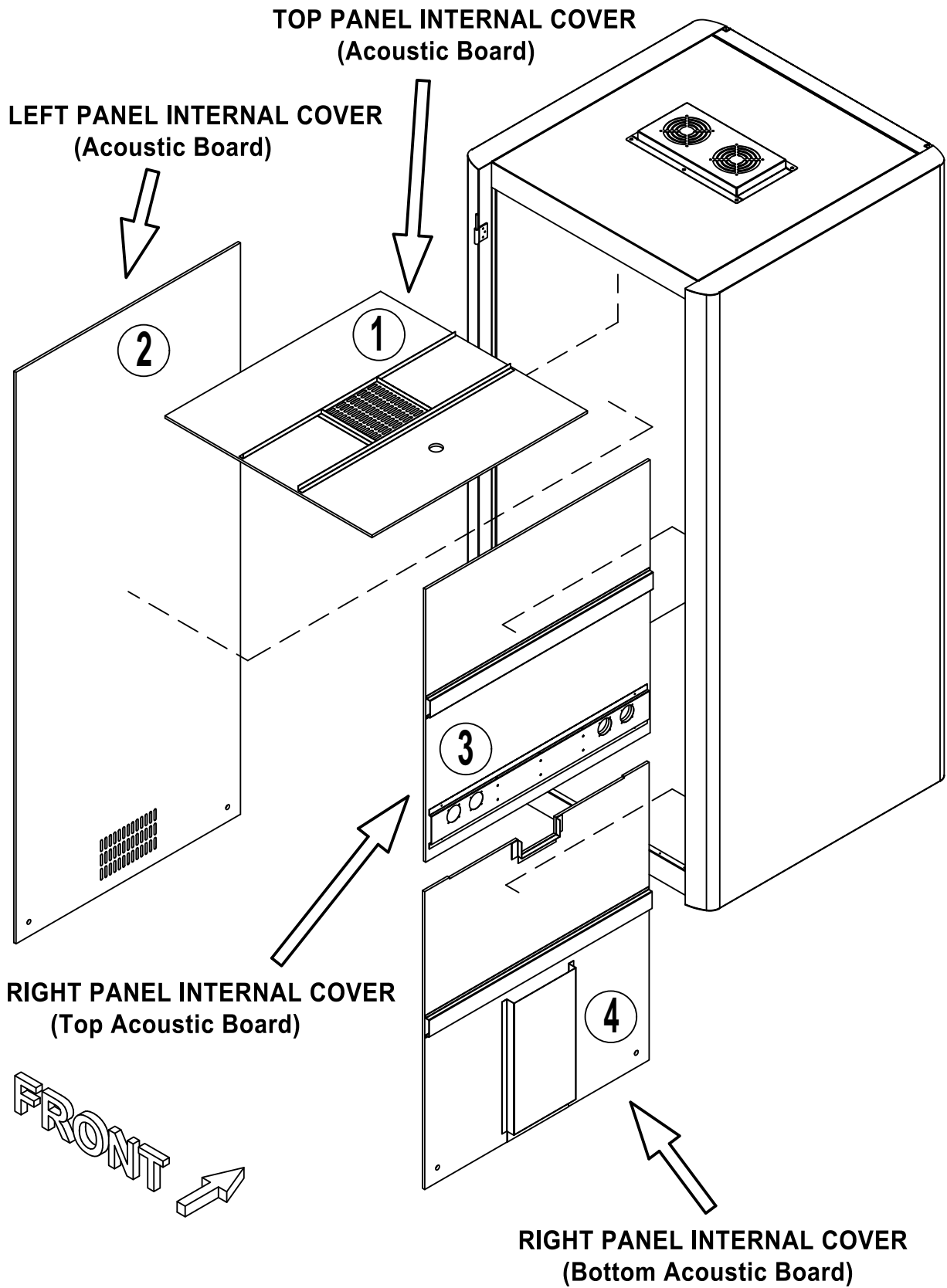


TABLE BRACKET

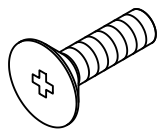
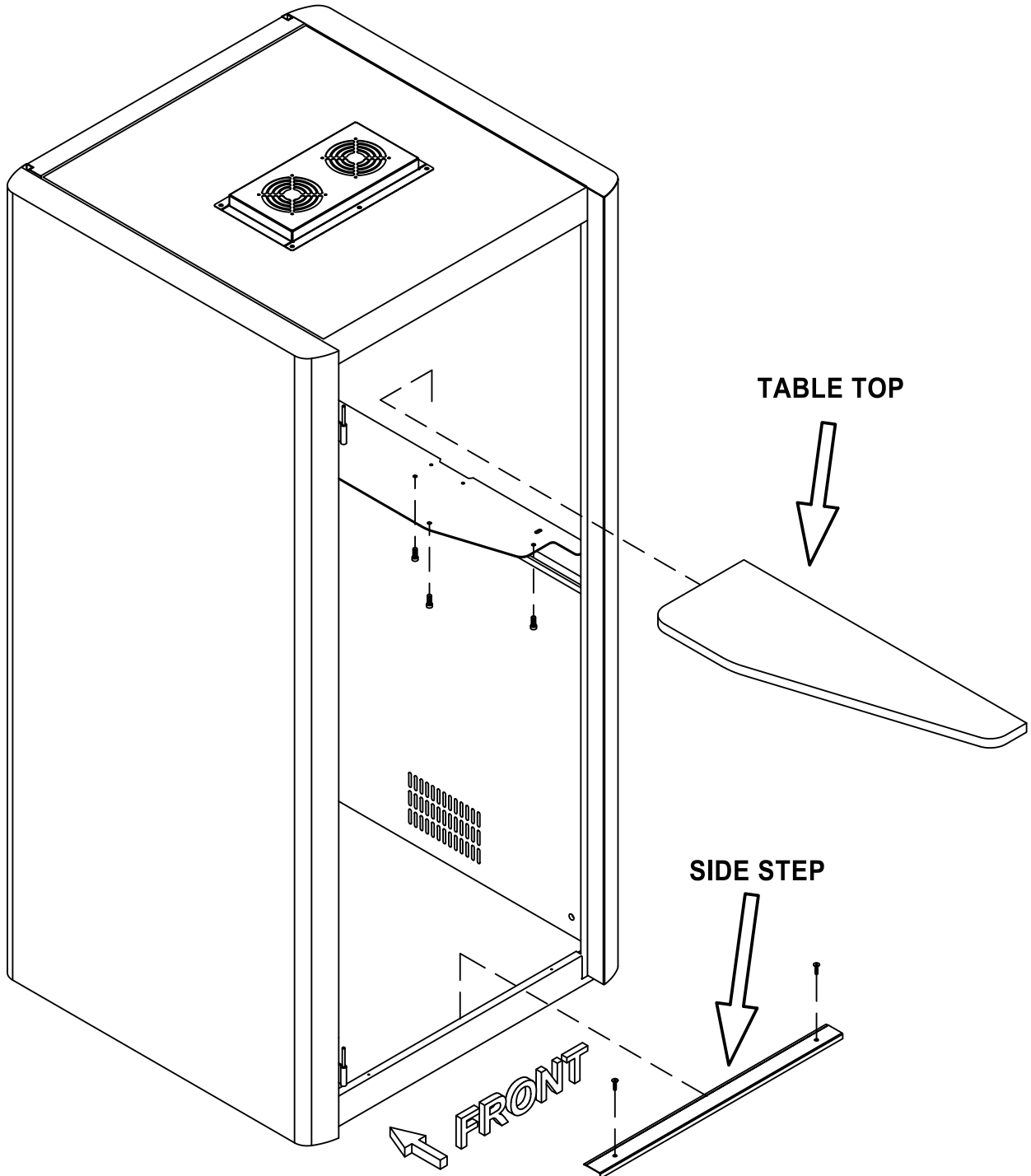
FRONT

BASE CARPET BOARD

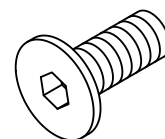
Cap screw with flat washer
(m8 x 20zp)



13

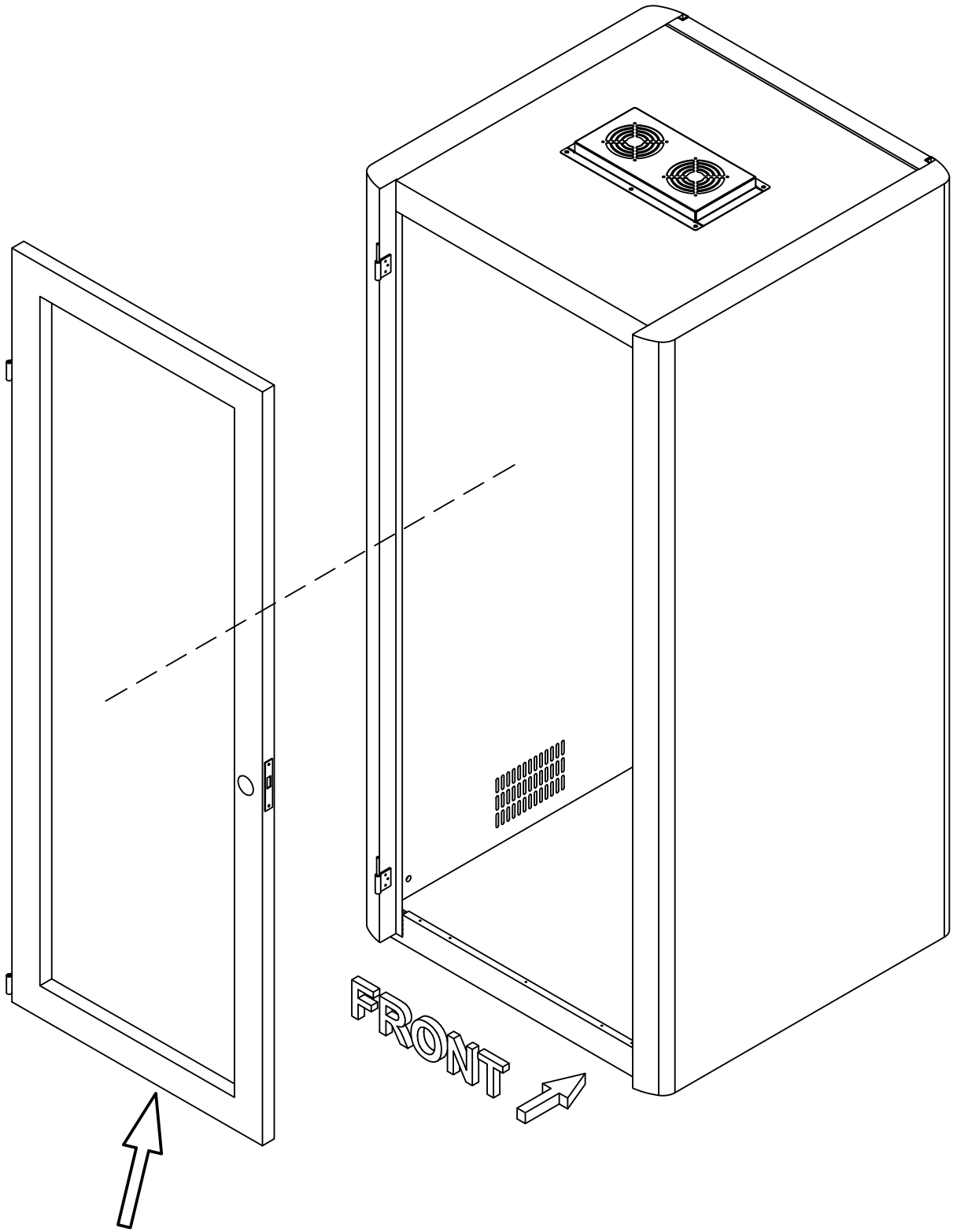


S/S A2 CSK HD MC SCREW
(m5 x 12)



JCBC SCREW
(m6 x 16 ZP)

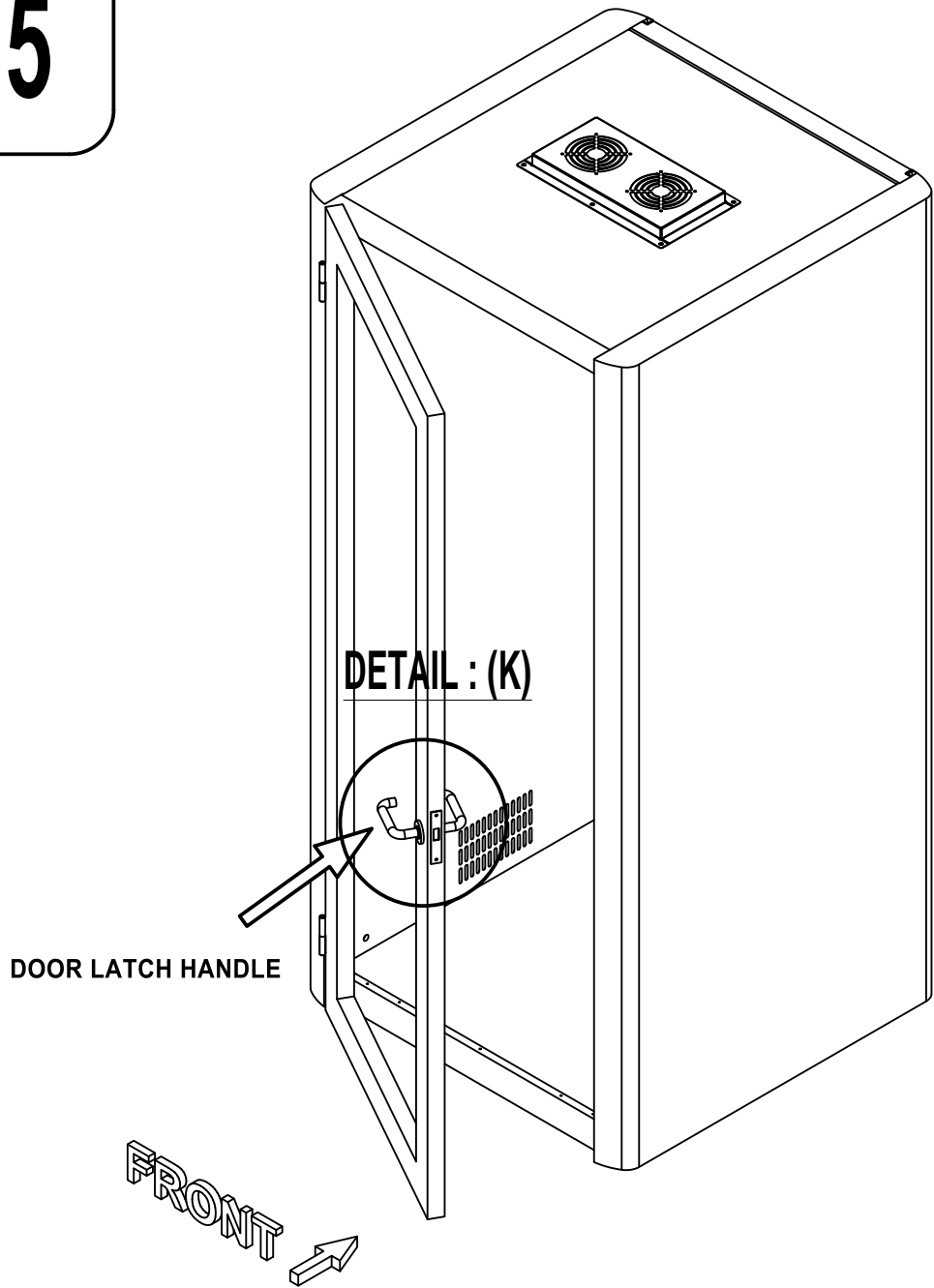
14



GLASS SWING DOOR

FRONT

15



DETAIL : (K)

