

# INAPOD

Office Pod Series

**SERIES 2**

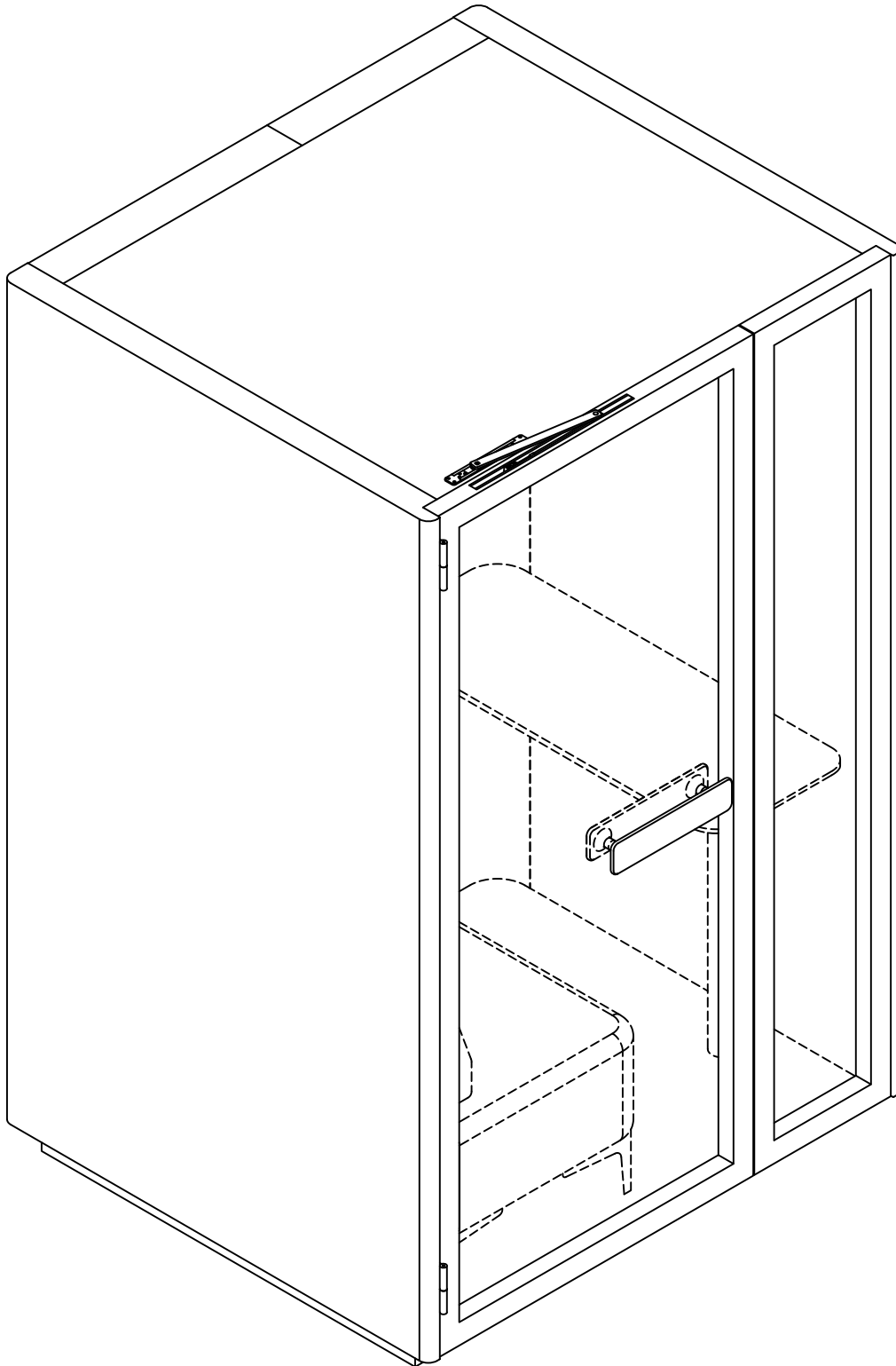
**ASSEMBLY DIAGRAM**



**SERIES 2—W-POD**  
**1 PERSON WORKPOD**

# INSTALLATION MANUAL

W POD



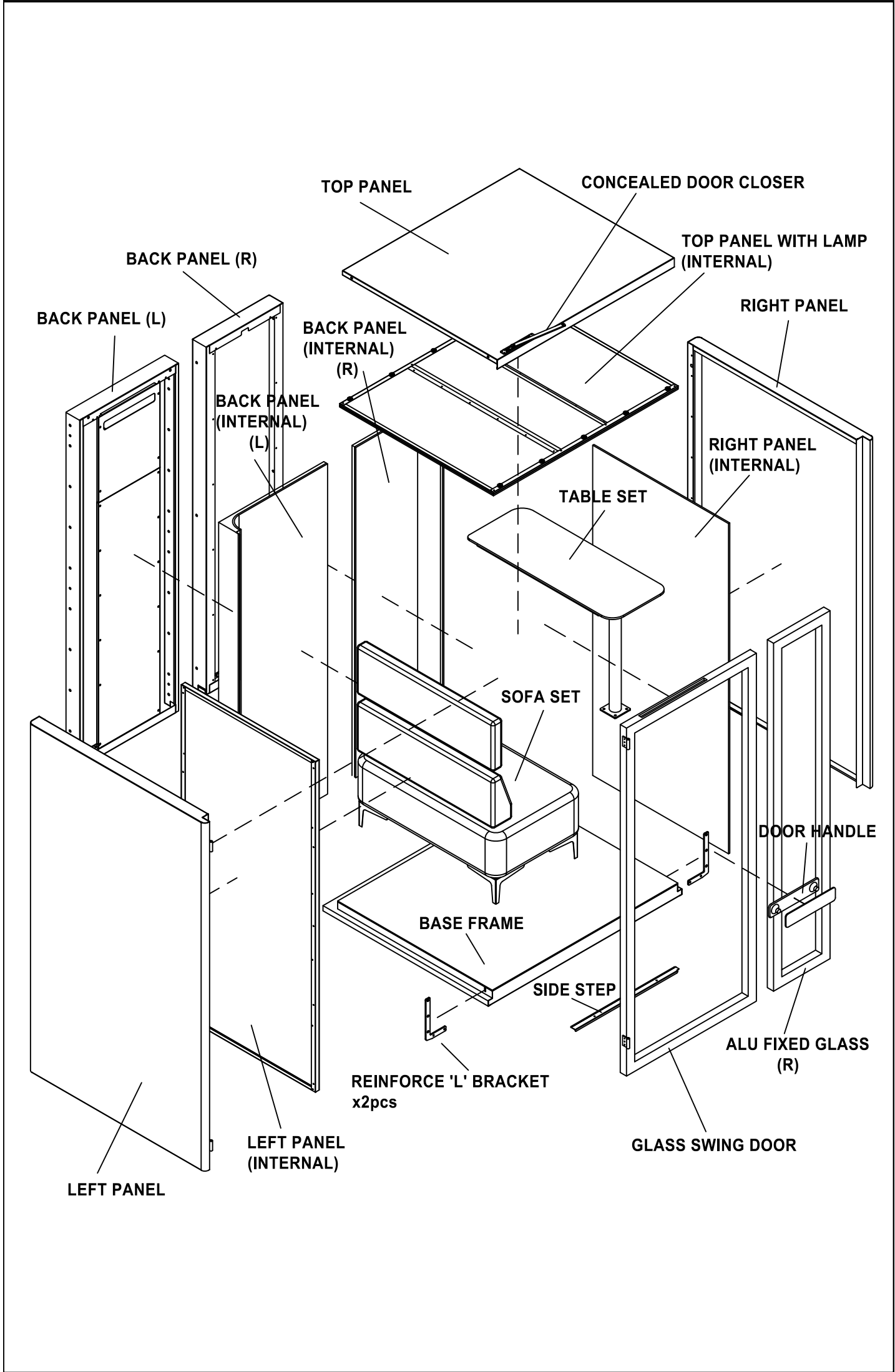
## ATTENTION

Please read installation manual carefully before assemble.

First remove the accesory box. Carton number (1)

Follow the carton number when unboxing.

Complete assemble each according to the carton number and proceed to the next.



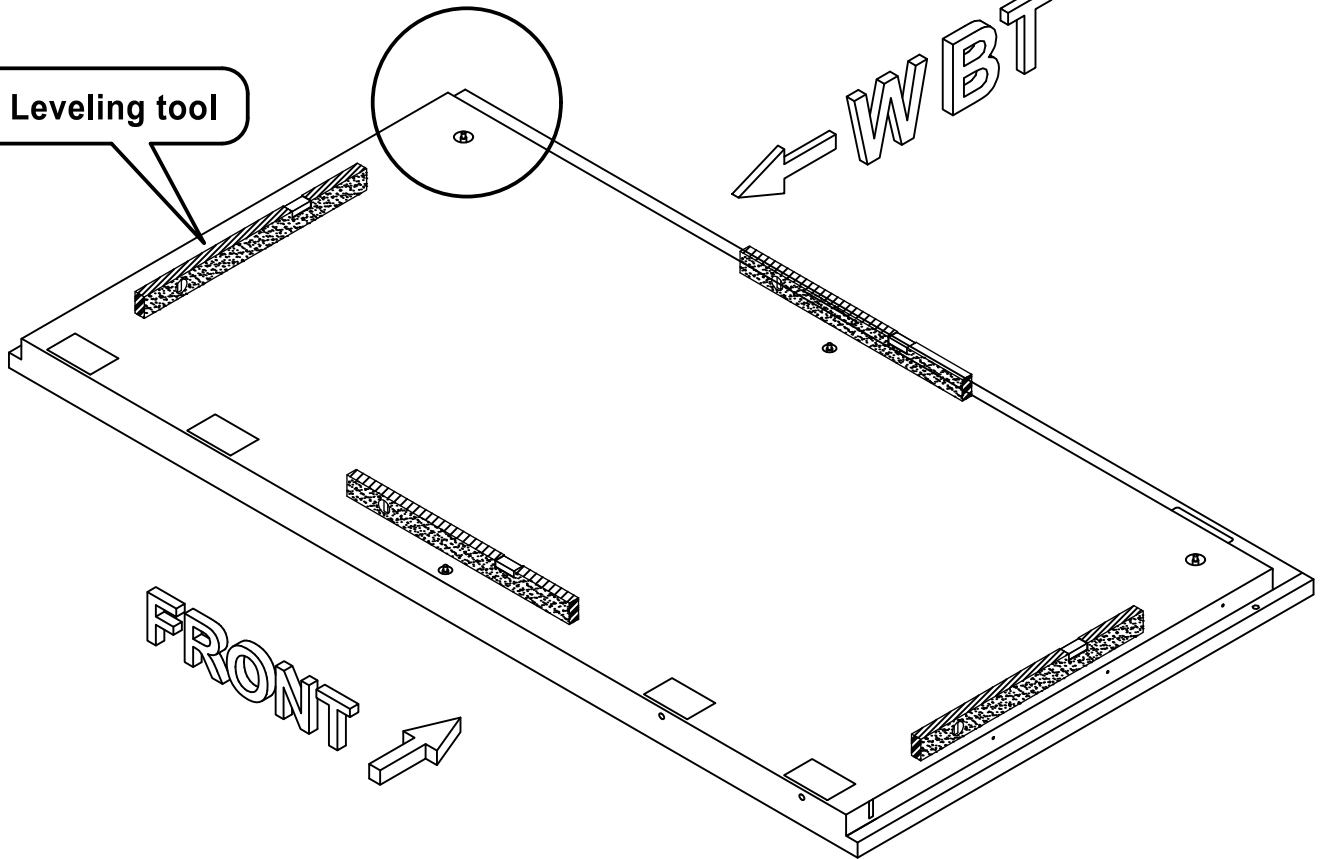
1

DETAIL : (A)

Leveling tool

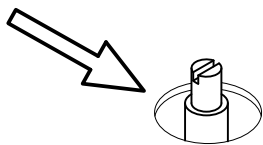
← WBT

FRONT →

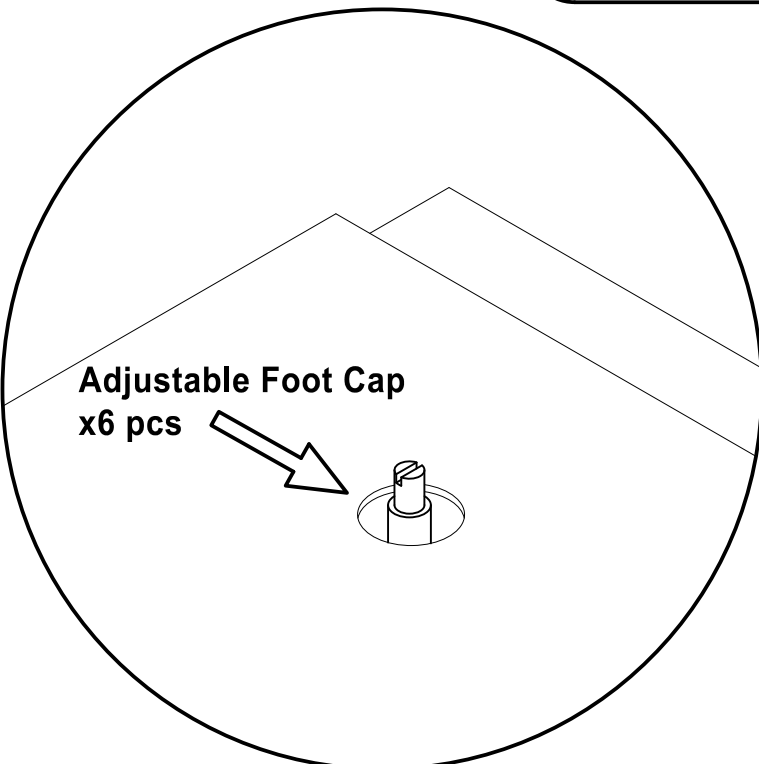


- Step 1 □ Push to final position before setting up the booth
- Step 2 □ Adjustable foot cap for leveling
- Step 3 □ Level the base before installation

Adjustable Foot Cap  
x6 pcs



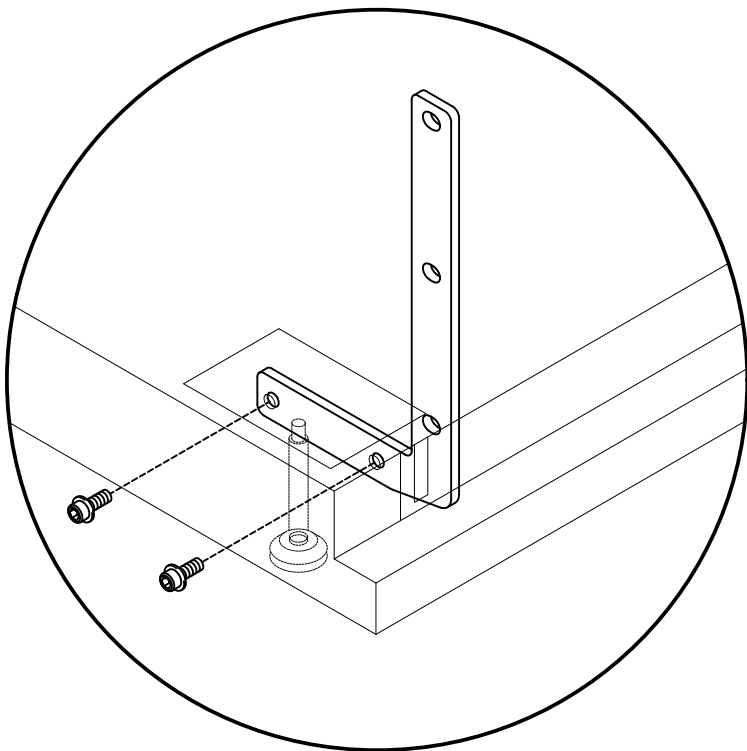
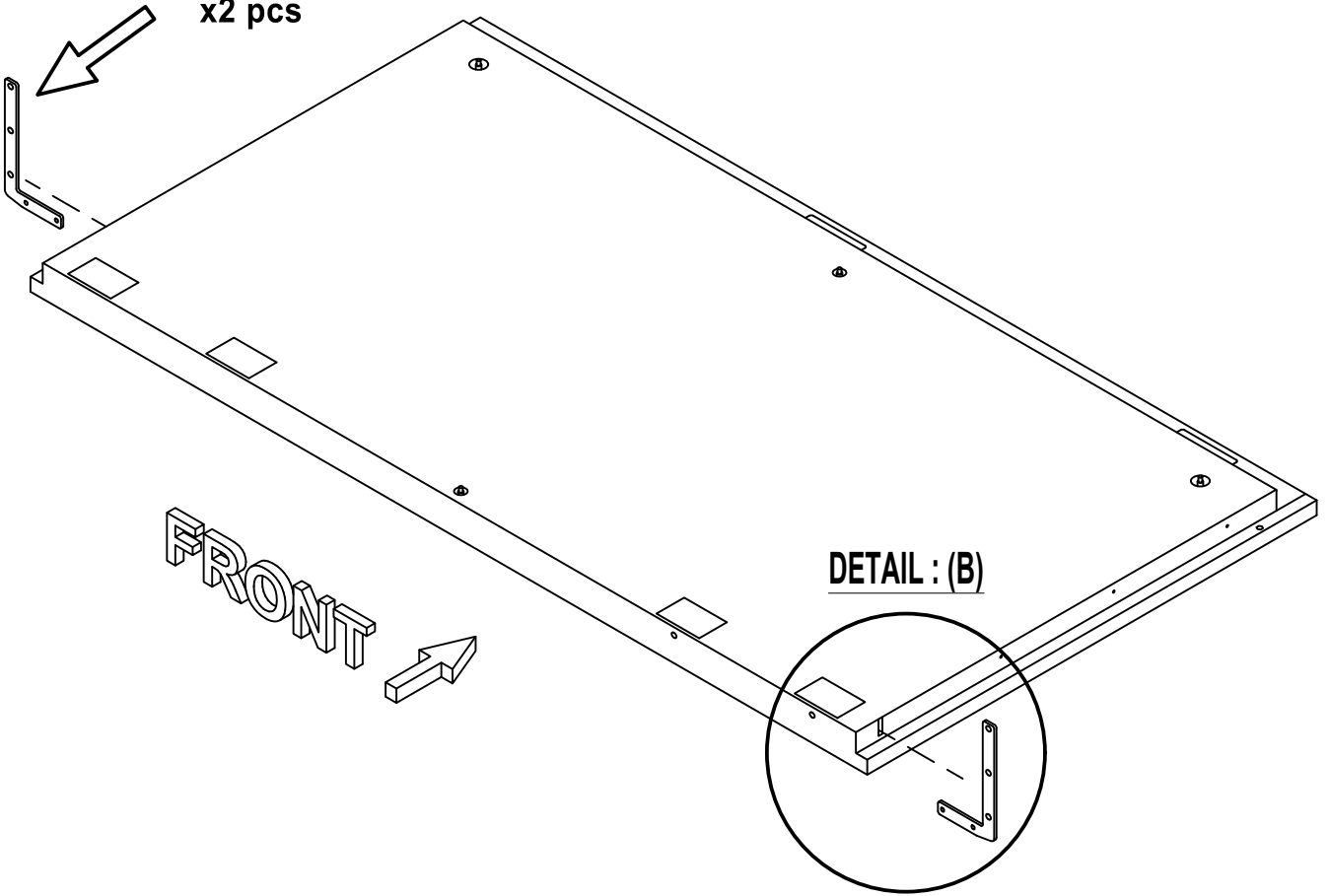
DETAIL : (A)



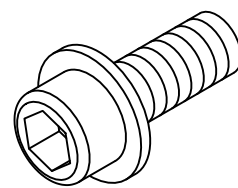
2

REINFORCE 'L' BRACKET

x2 pcs



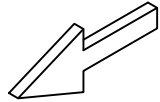
DETAIL : (B)



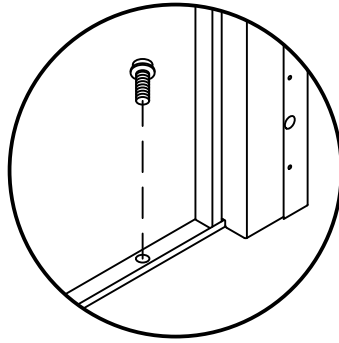
Cap screw with flat washer  
(m8 x 20zp)

3

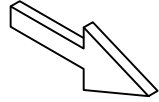
WL



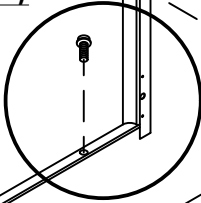
DETAIL : (D)



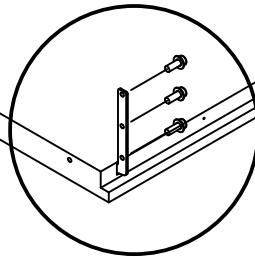
WR



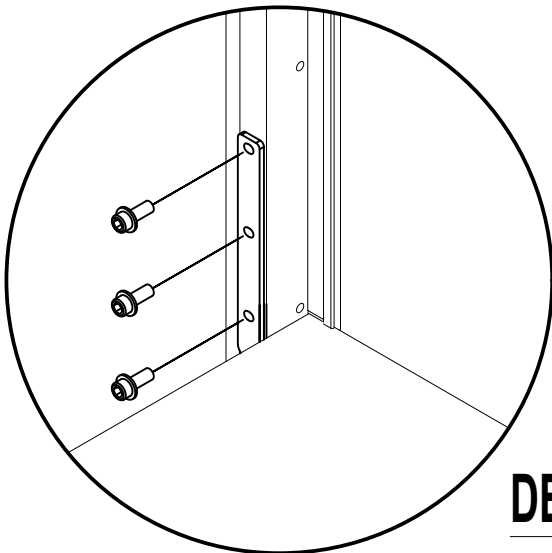
DETAIL : (D)



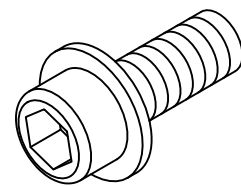
DETAIL : (C)



FRONT

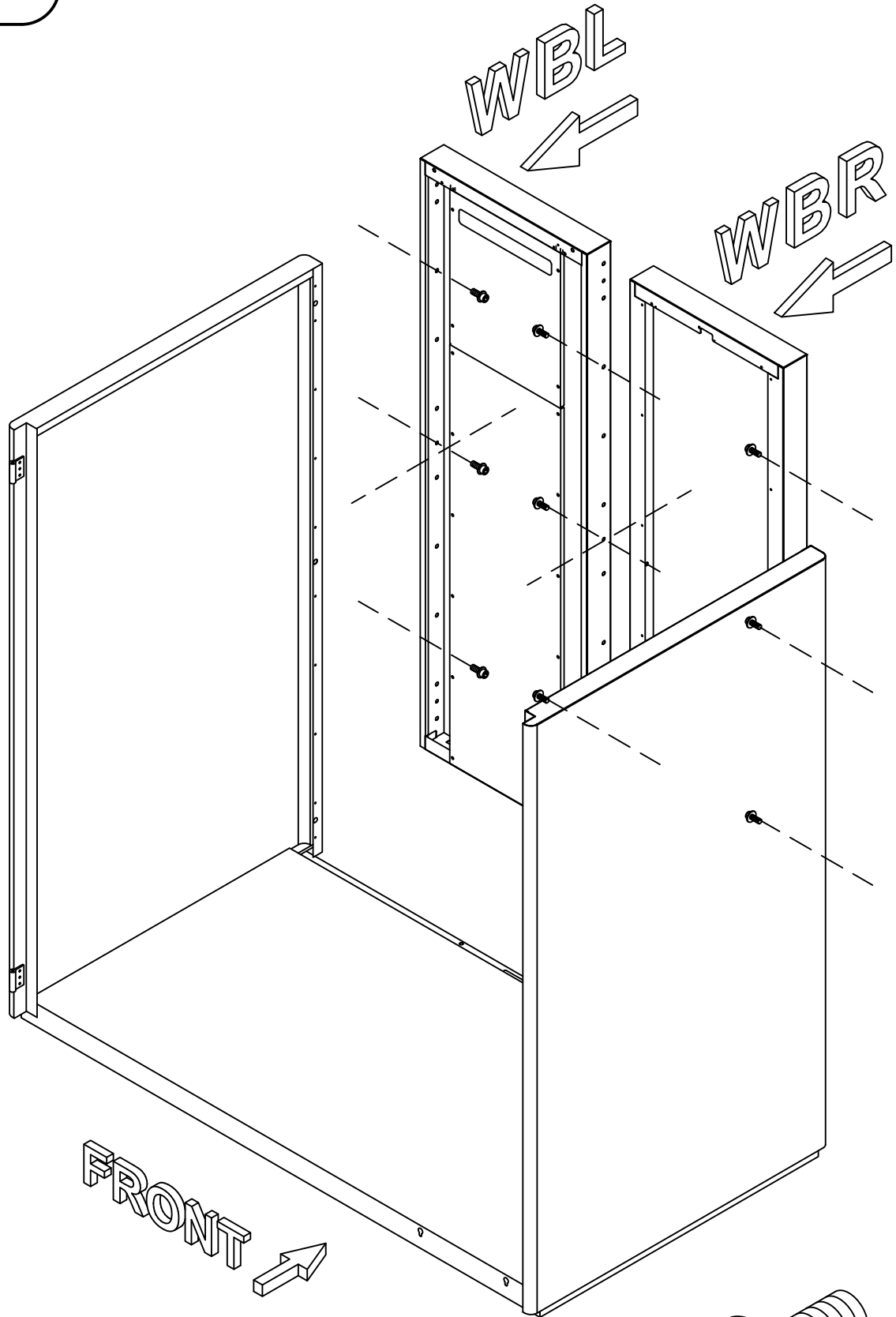


DETAIL : (C)



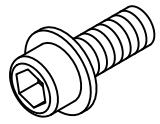
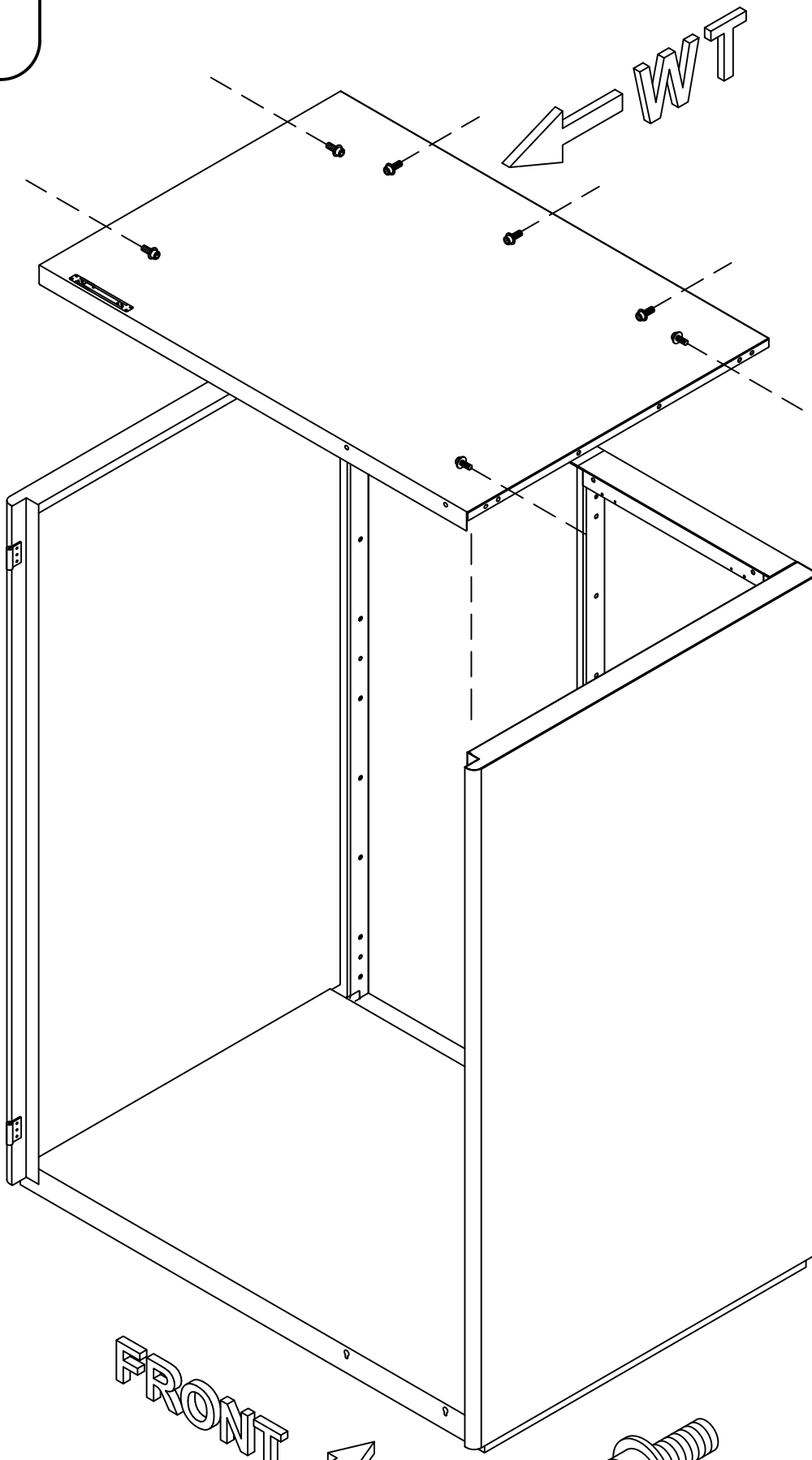
Cap screw with flat washer  
(m8 x 20zp)

4

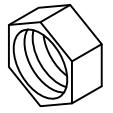


Cap screw with flat washer  
(m8 x 20zp)

5



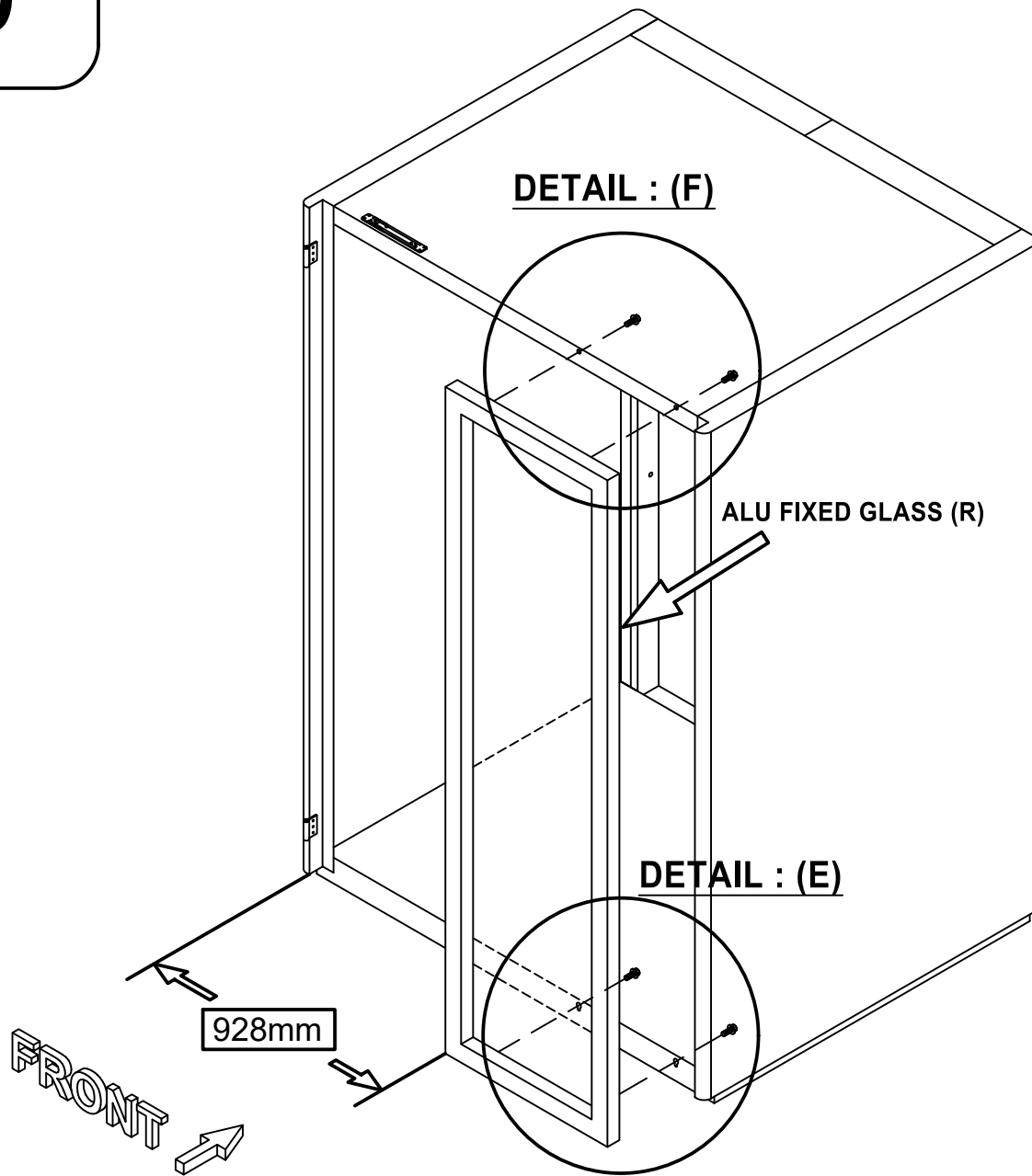
Cap screw  
with flat washer  
(m8 x 20zp)



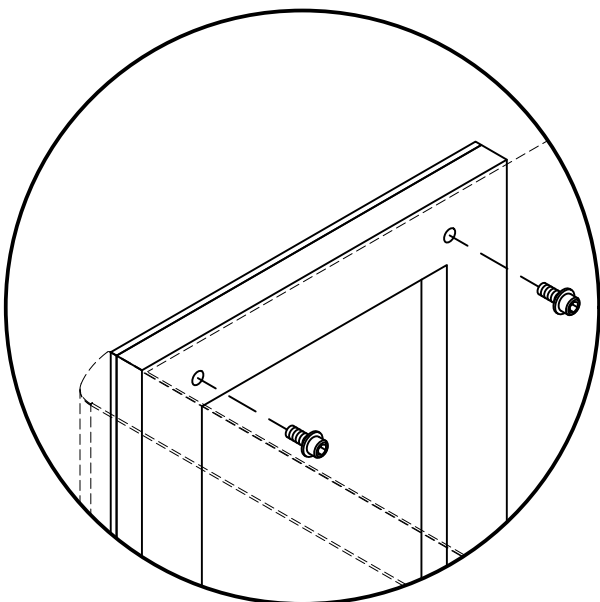
Hex NUT  
(m8)



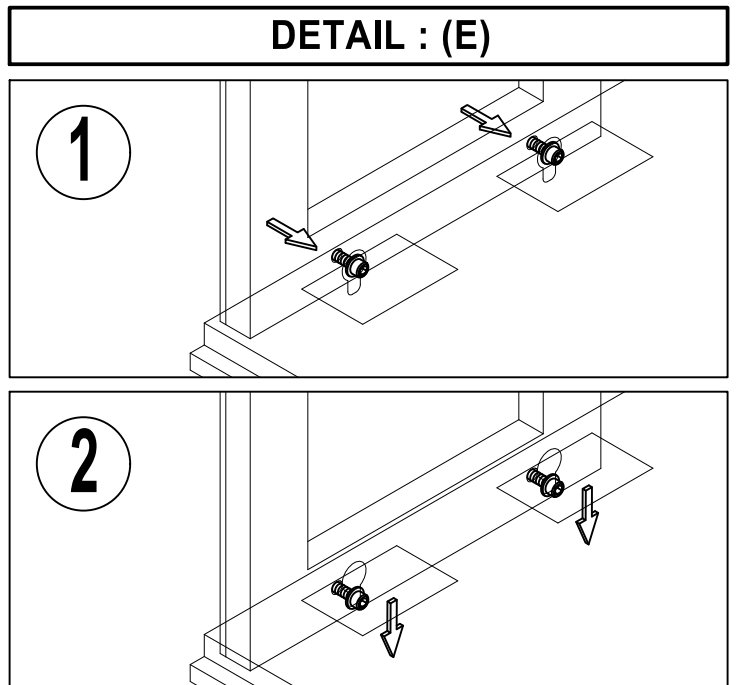
6



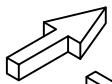
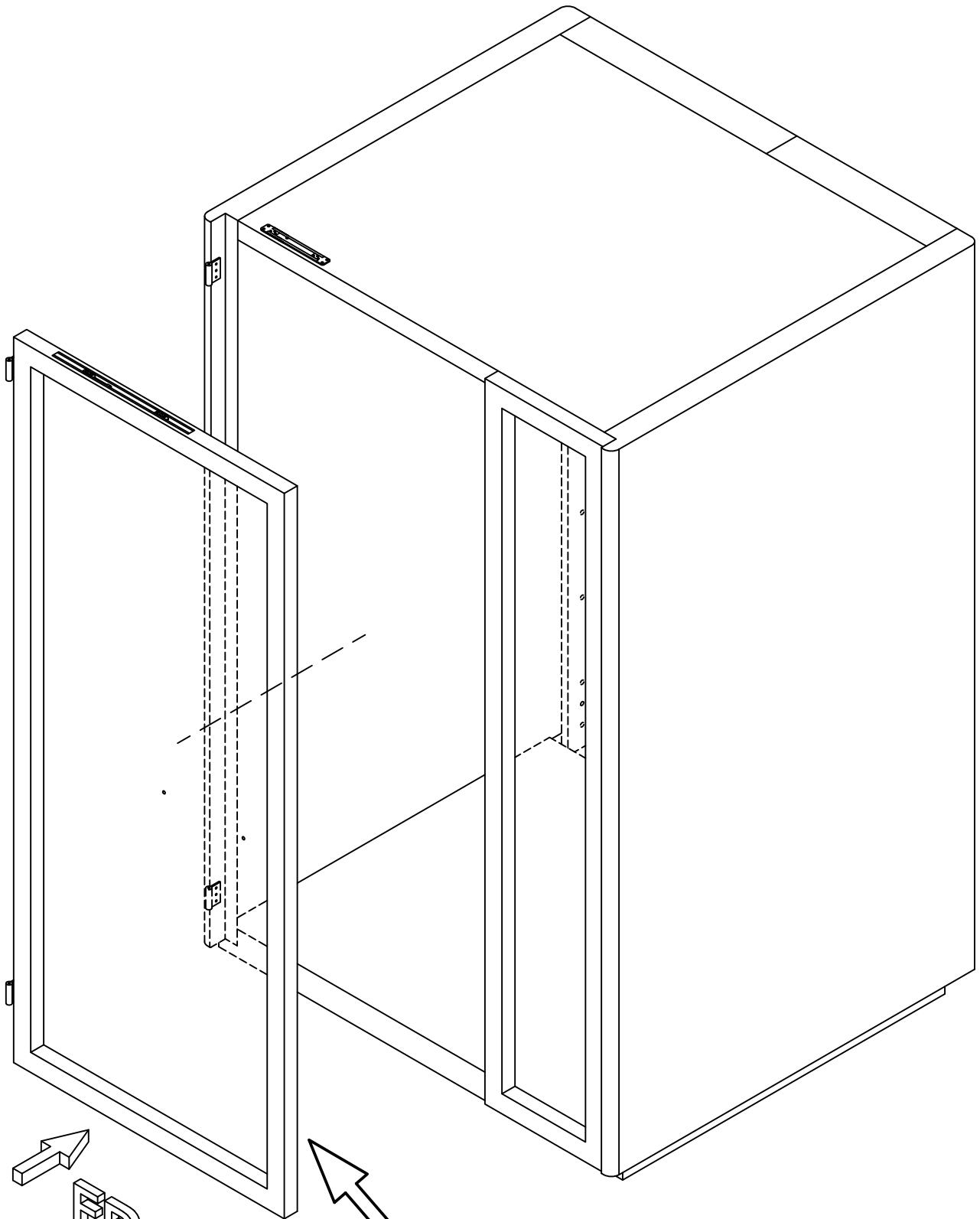
DETAIL : (F)



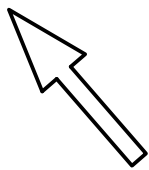
DETAIL : (E)



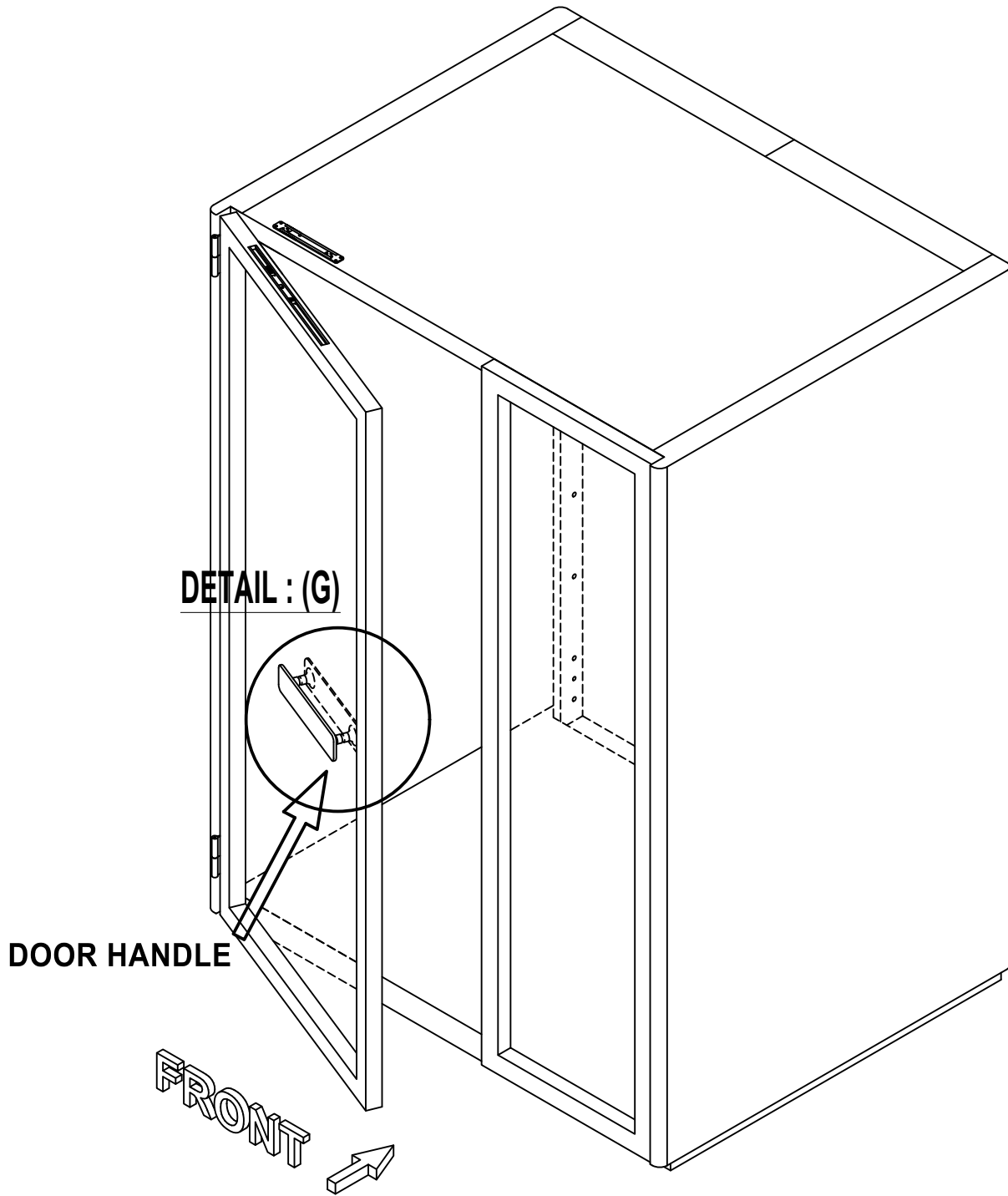
7



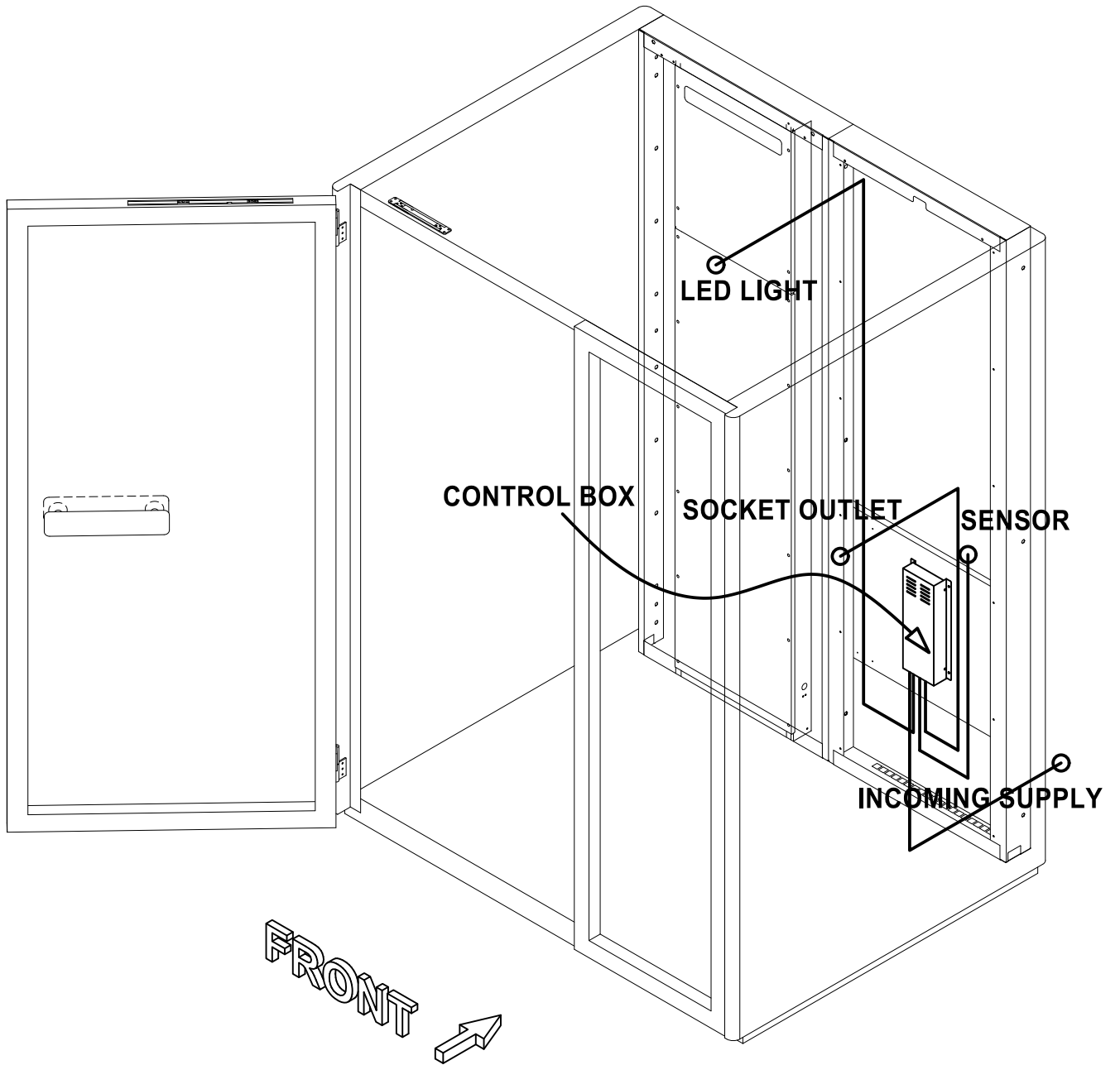
FRONT

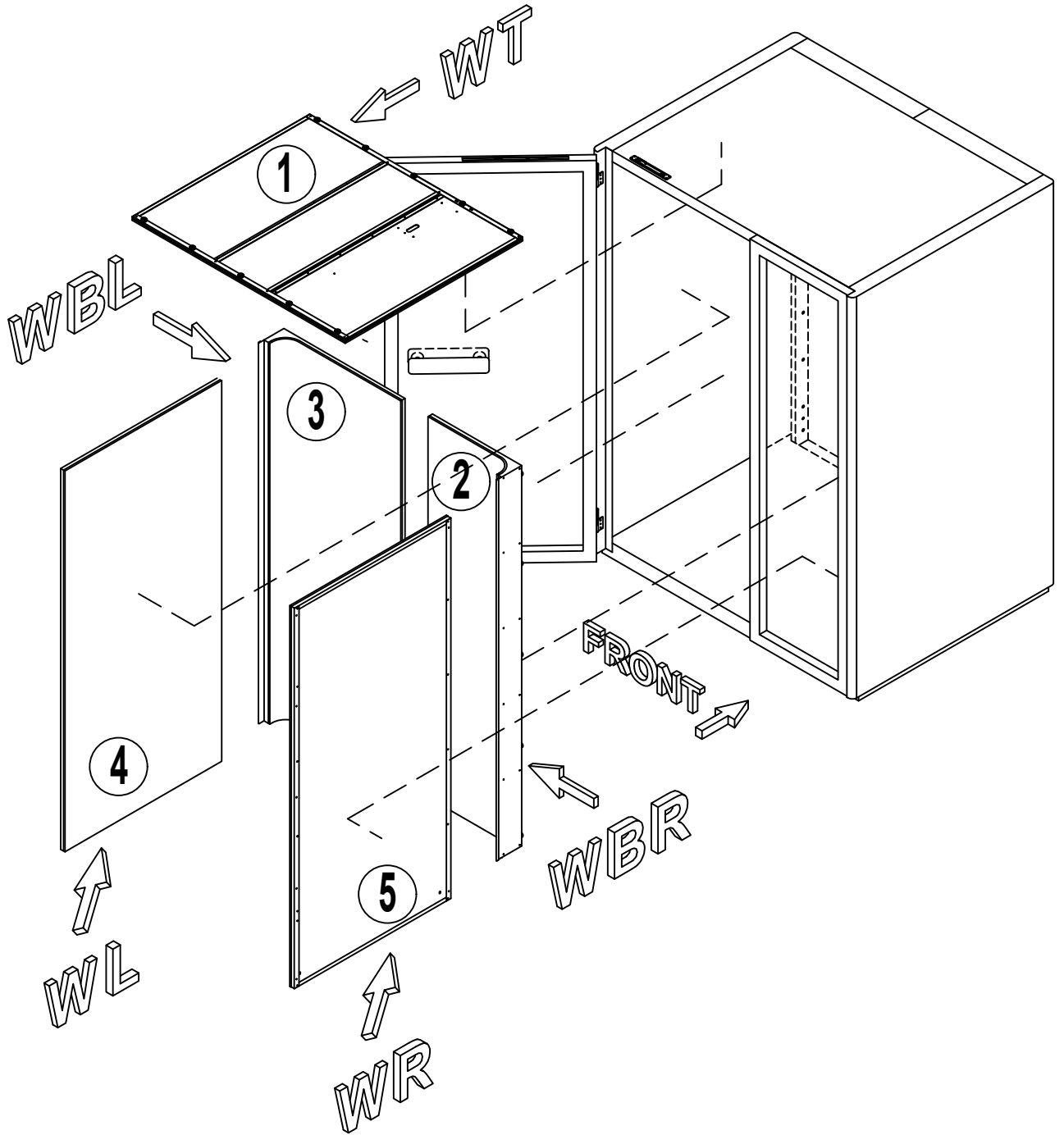


GLASS SWING DOOR

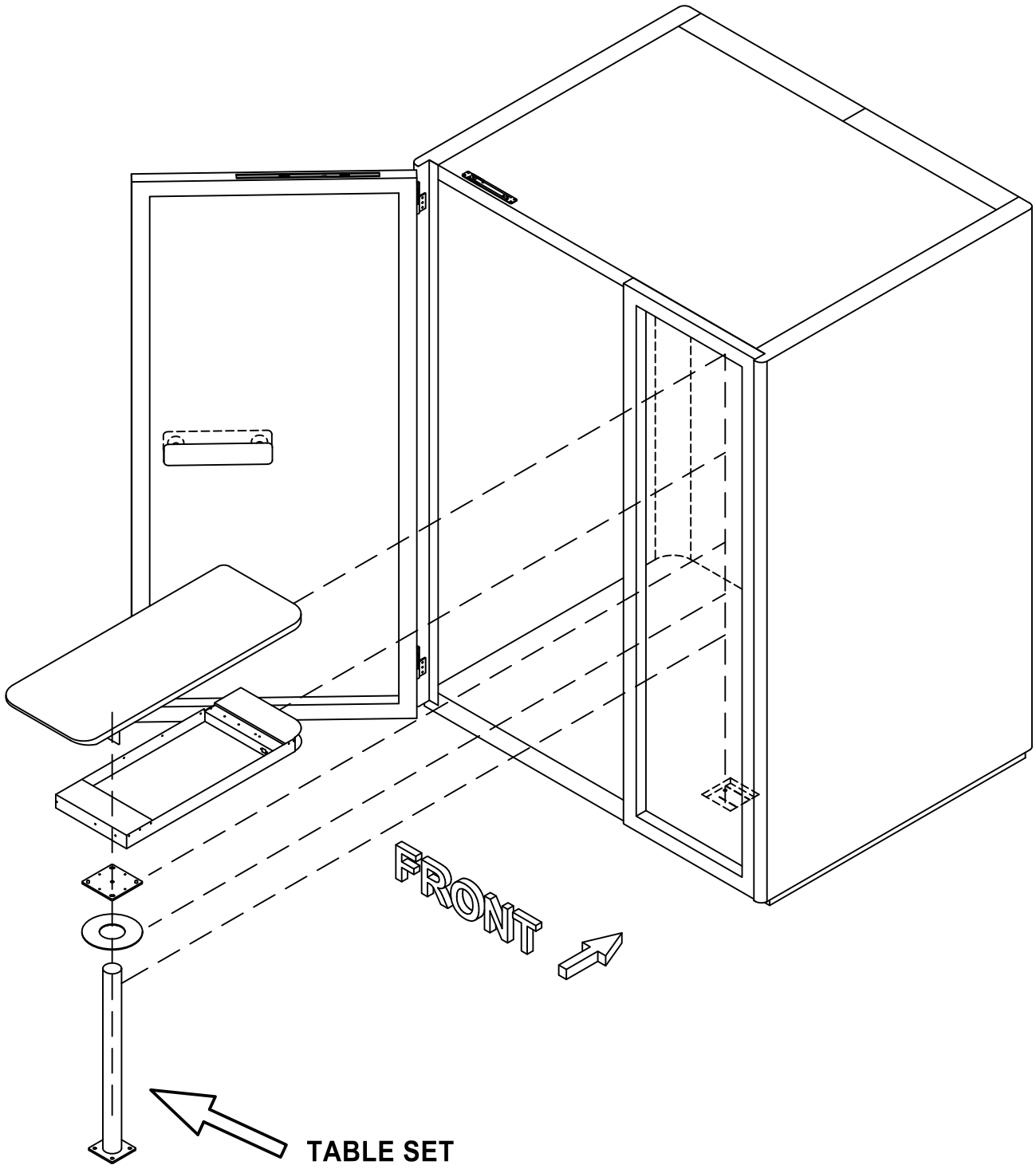


**DETAIL :G** — Please refer to the provided door handle box.

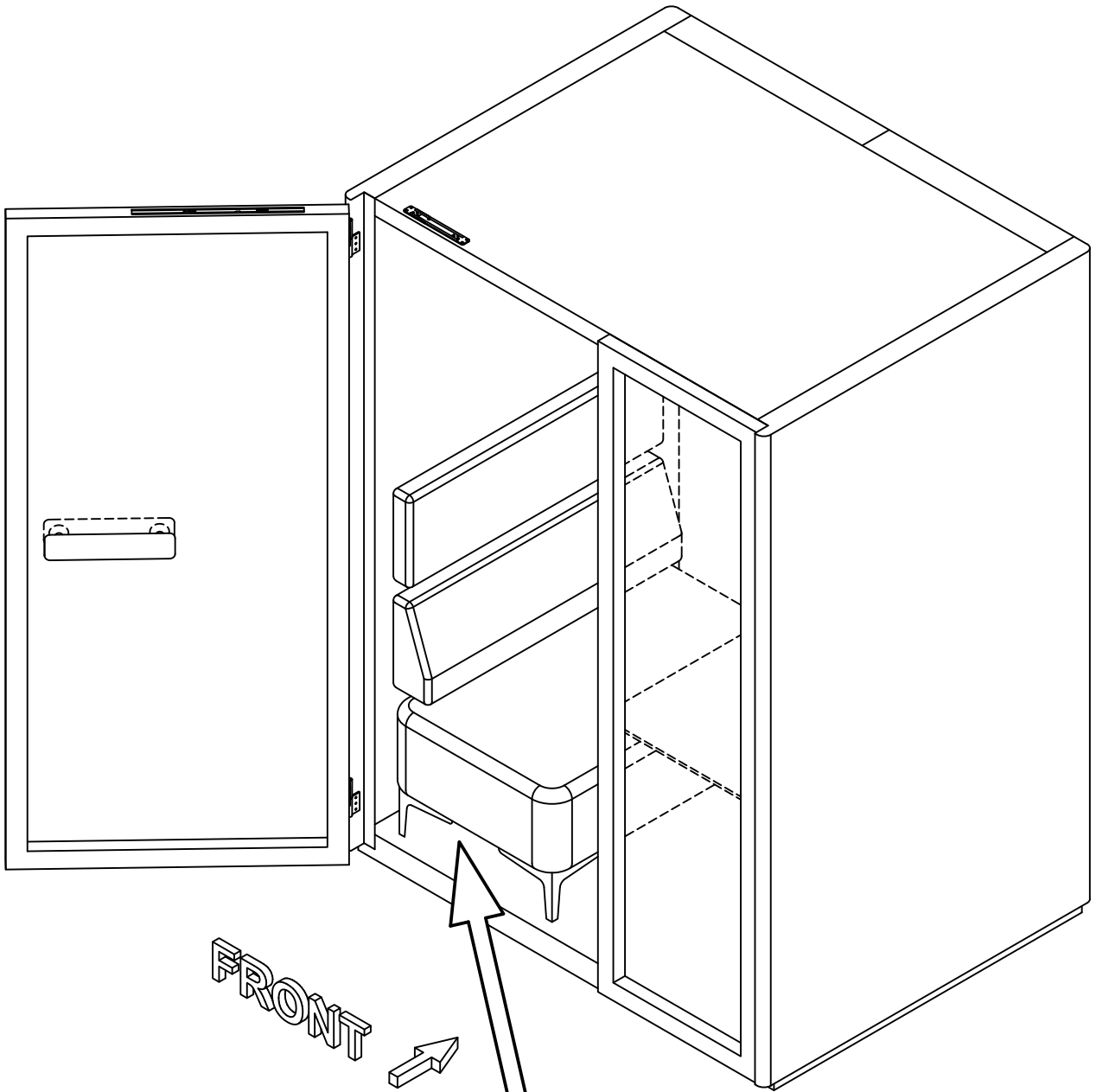




11



12

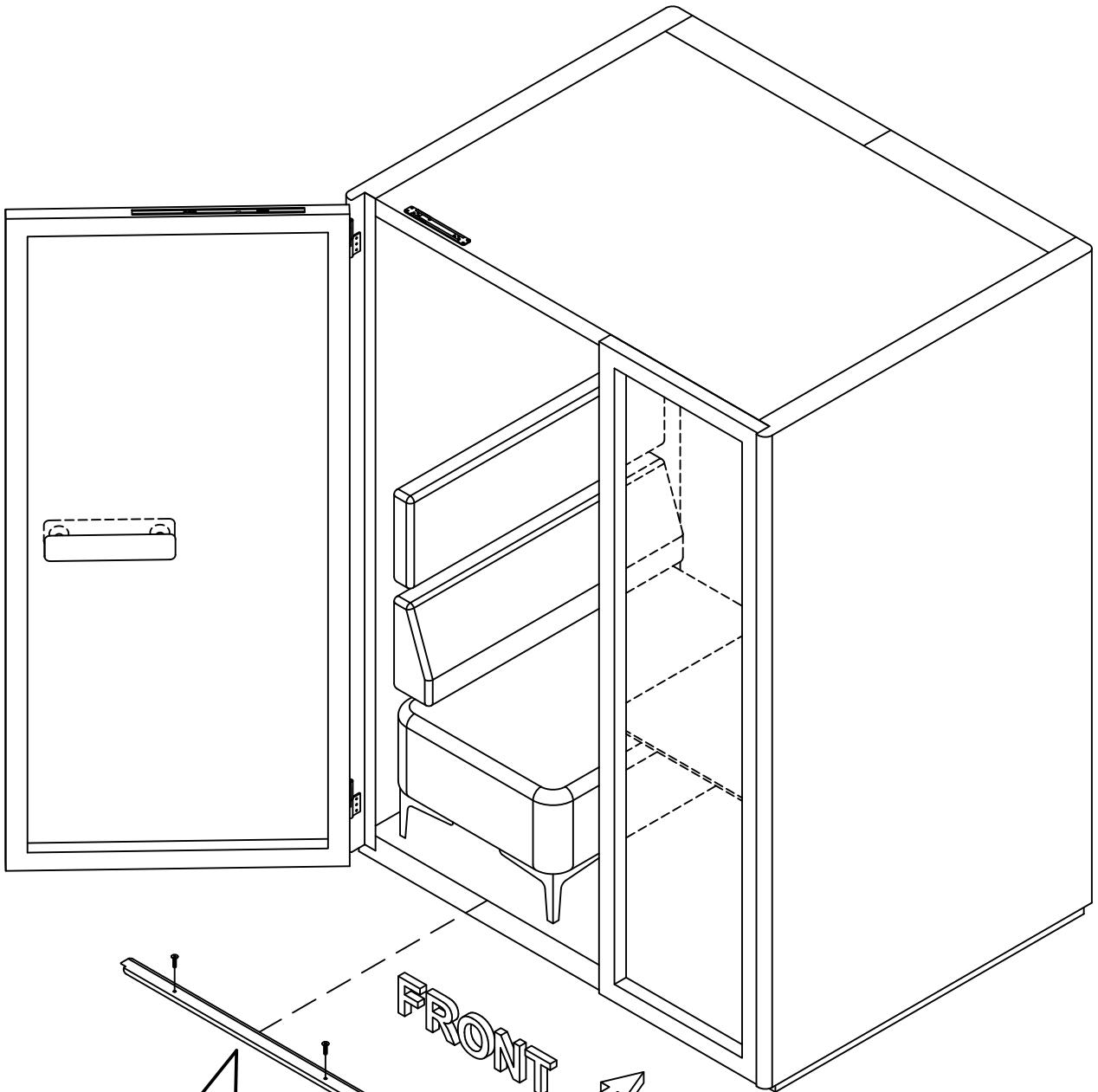


FRONT



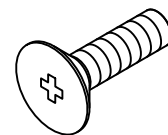
SOFA

13



**SIDE STEP**

**FRONT**

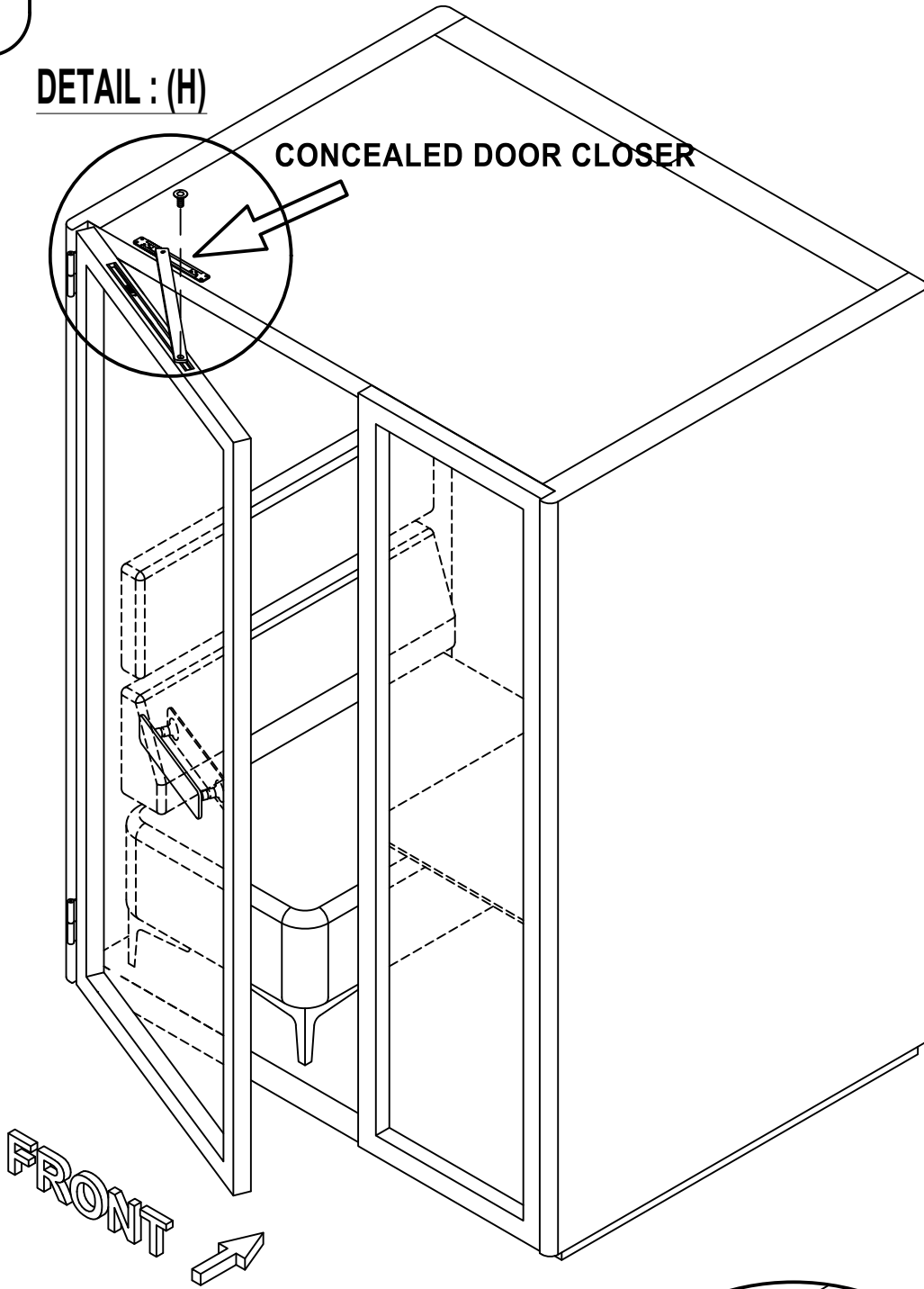


**S/S A2 CSK HD MC SCREW  
(m5 x 12)**



DETAIL : (H)

CONCEALED DOOR CLOSER



DETAIL : (H)

