

INAPOD

Office Pod Series

SERIES 2

ASSEMBLY DIAGRAM



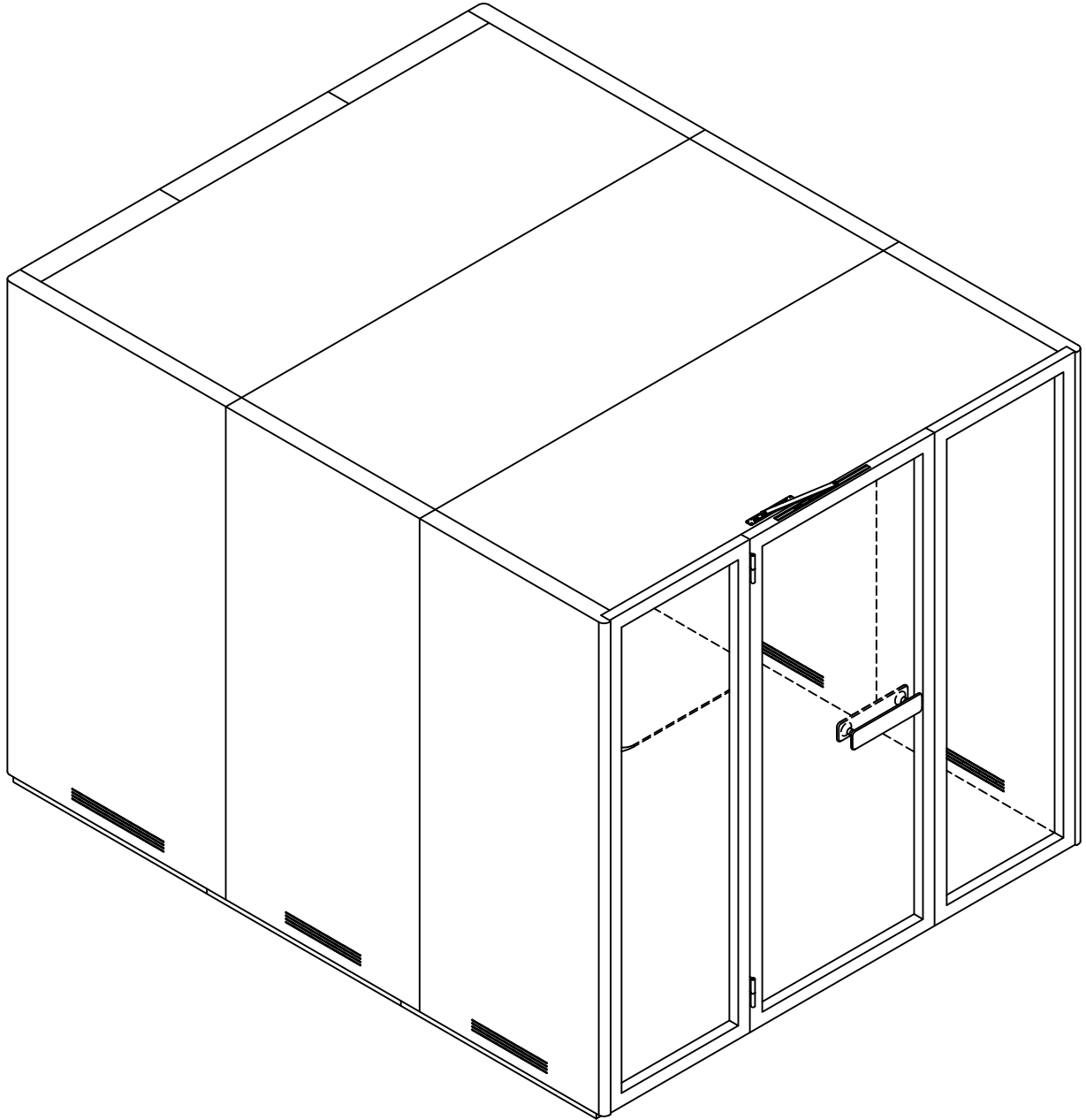
SERIES 2—M-POD

1-8 PERSON POD



INSTALLATION MANUAL

M POD



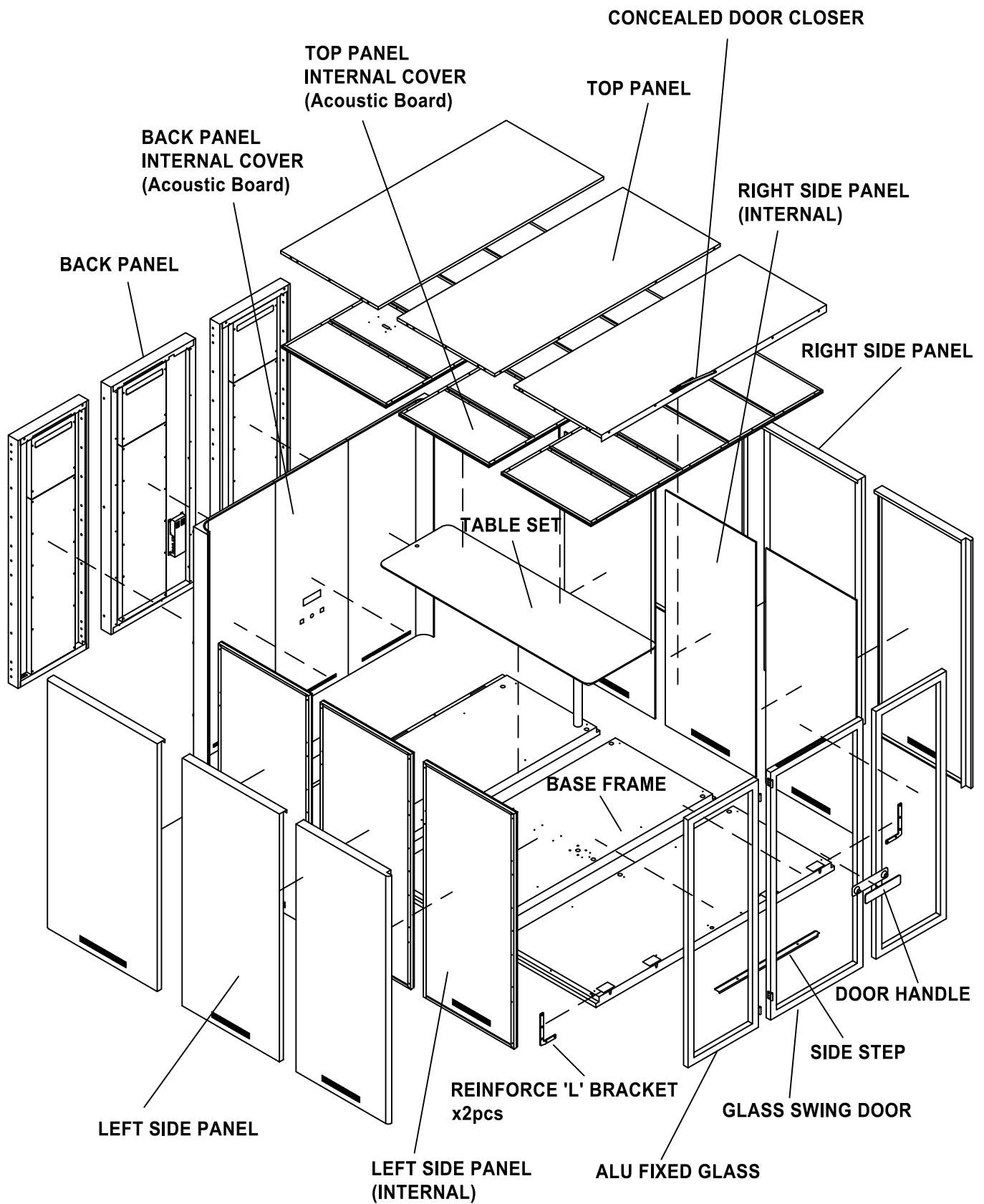
ATTENTION

Please read installation manual carefully before assemble.

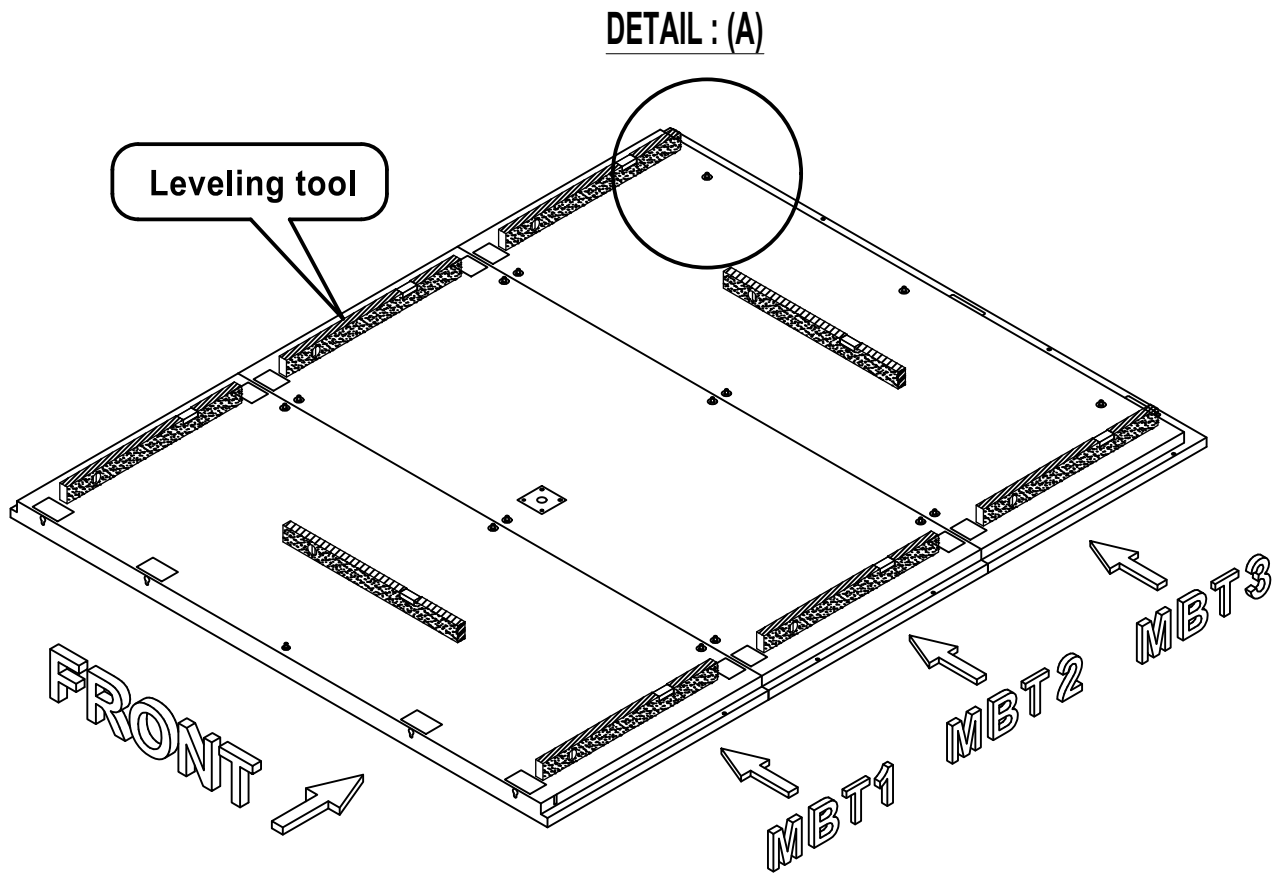
First remove the accesory box. Carton number (1)

Follow the carton number when unboxing.

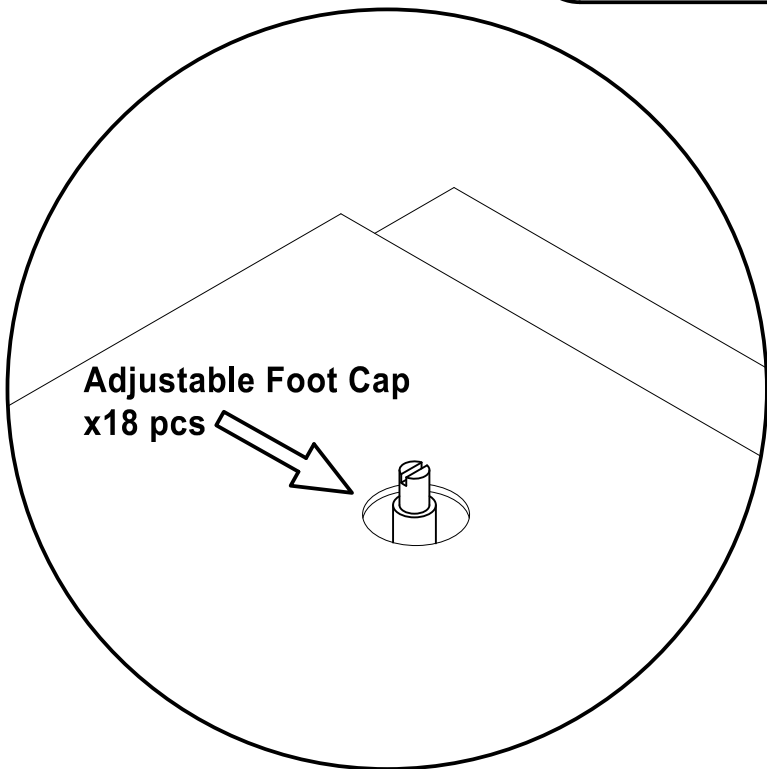
Complete assemble each according to the carton number and proceed to the next.



1

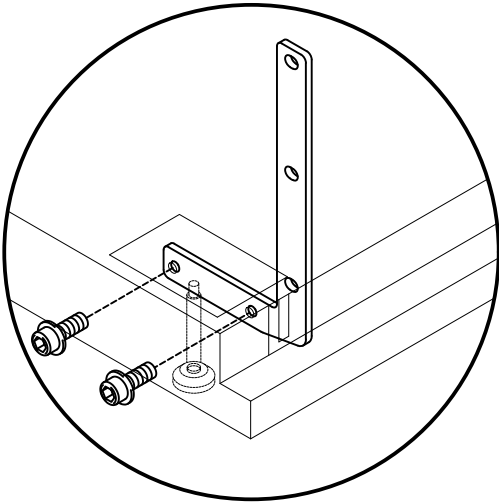
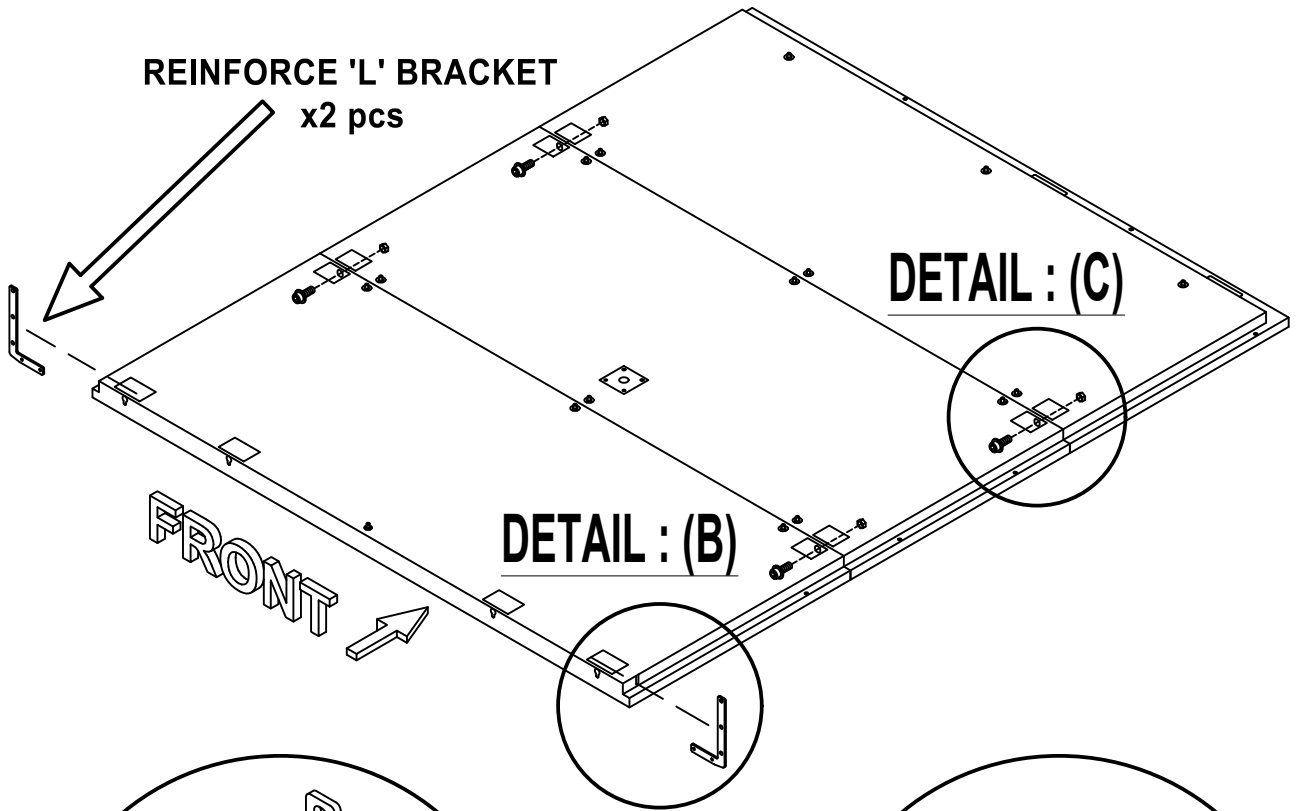


- Step 1 □ Push to final position before setting up the booth
- Step 2 □ Adjustable foot cap for leveling
- Step 3 □ Level the base before installation

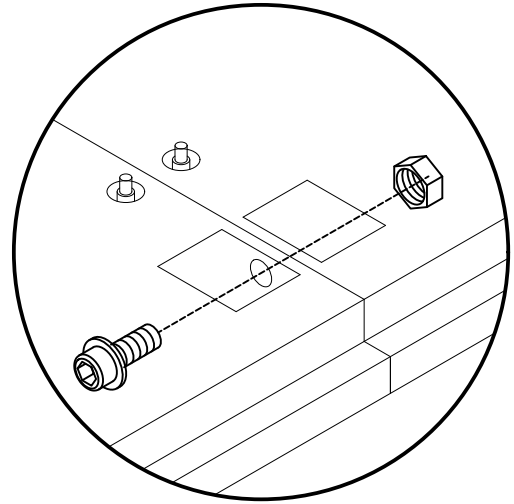


DETAIL : (A)

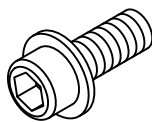
2



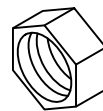
DETAIL : (B)



DETAIL : (C)

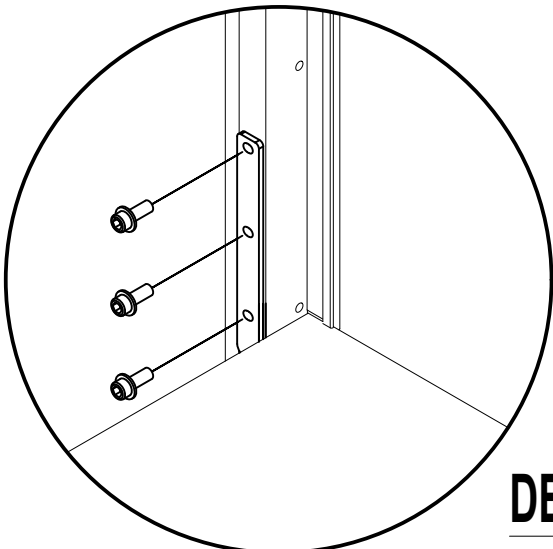
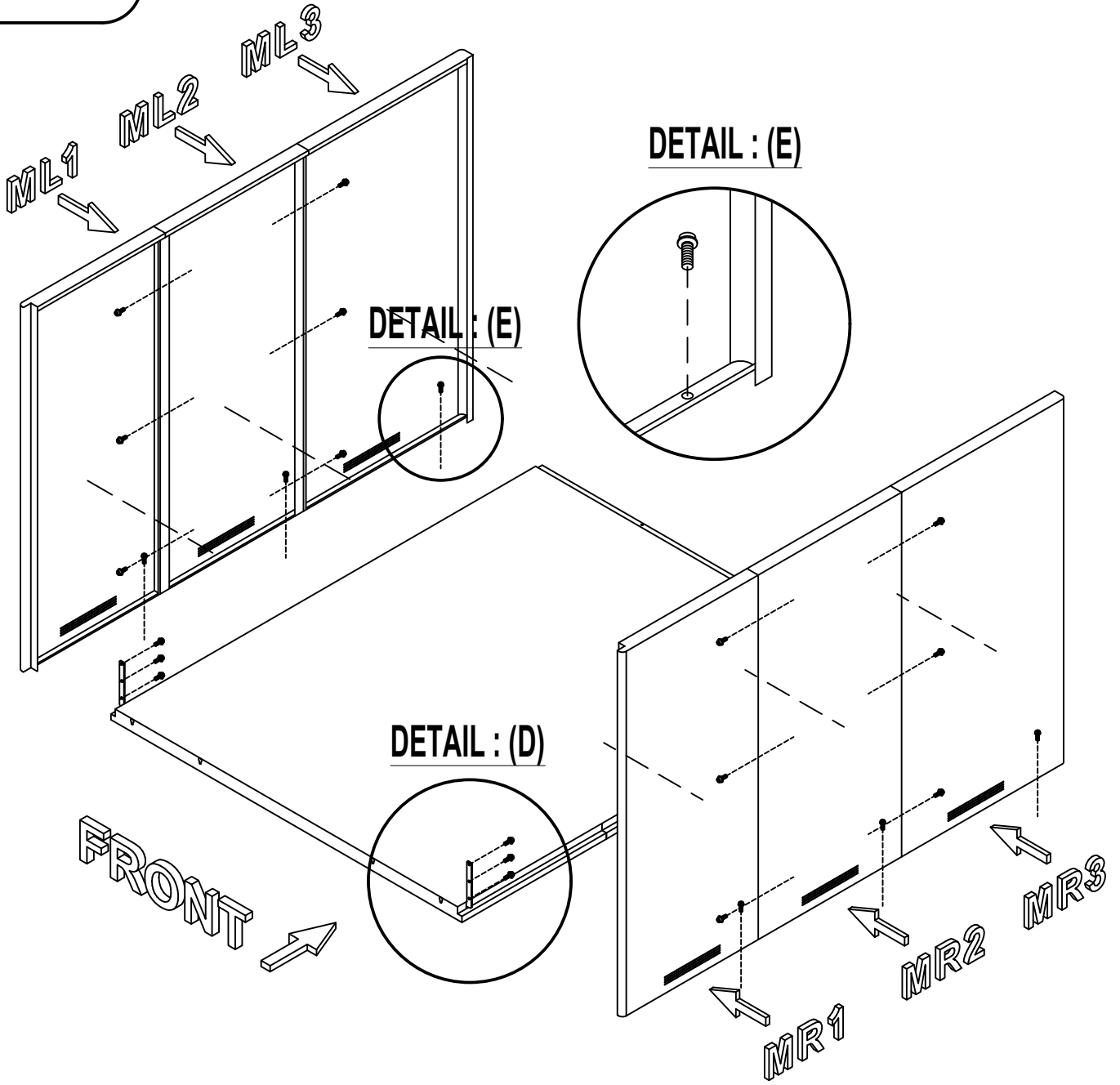


Cap screw
with flat washer
(m8 x 20zp)

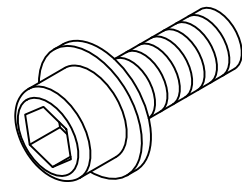


Hex NUT
(m8)

3

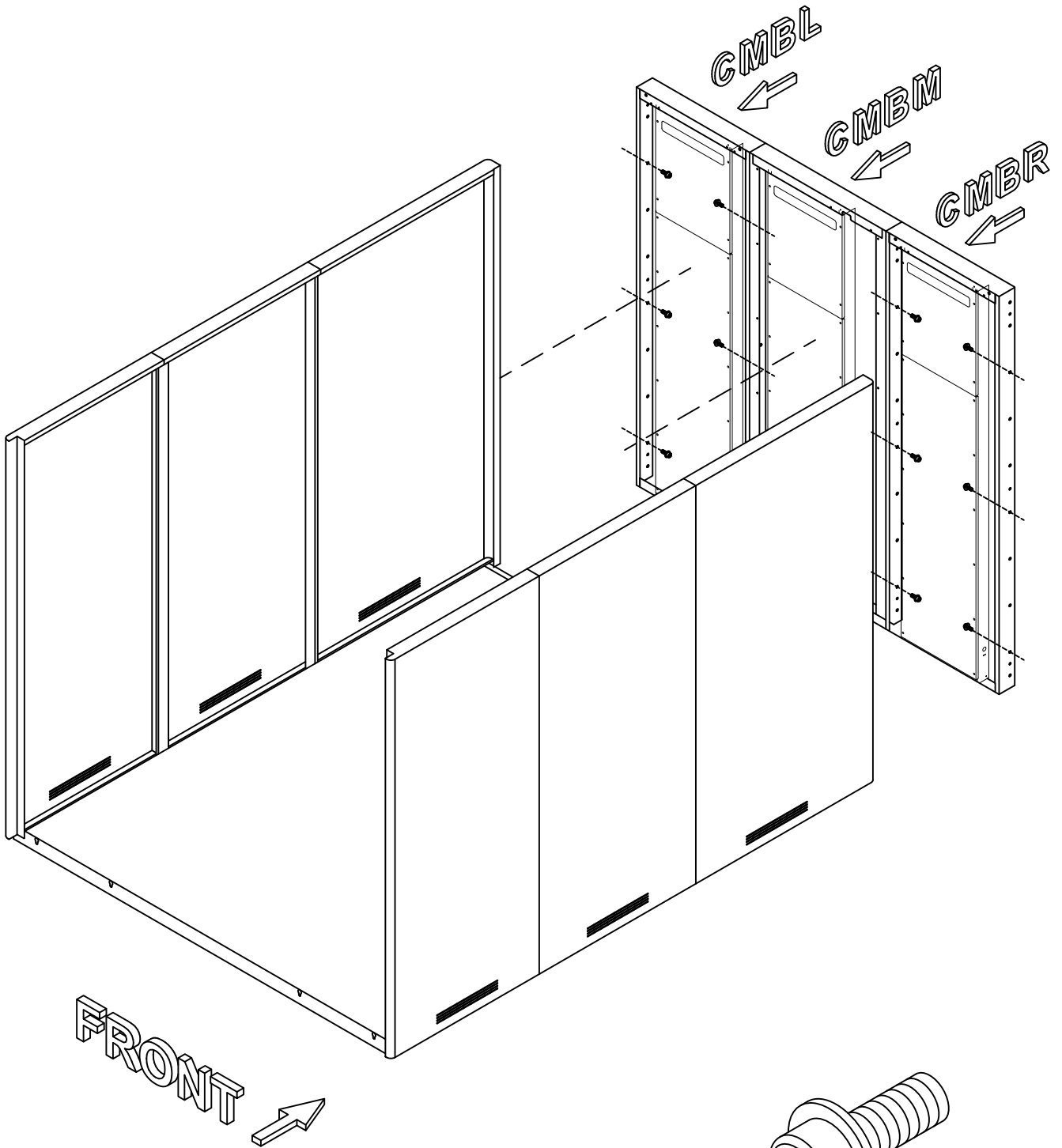


DETAIL : (D)



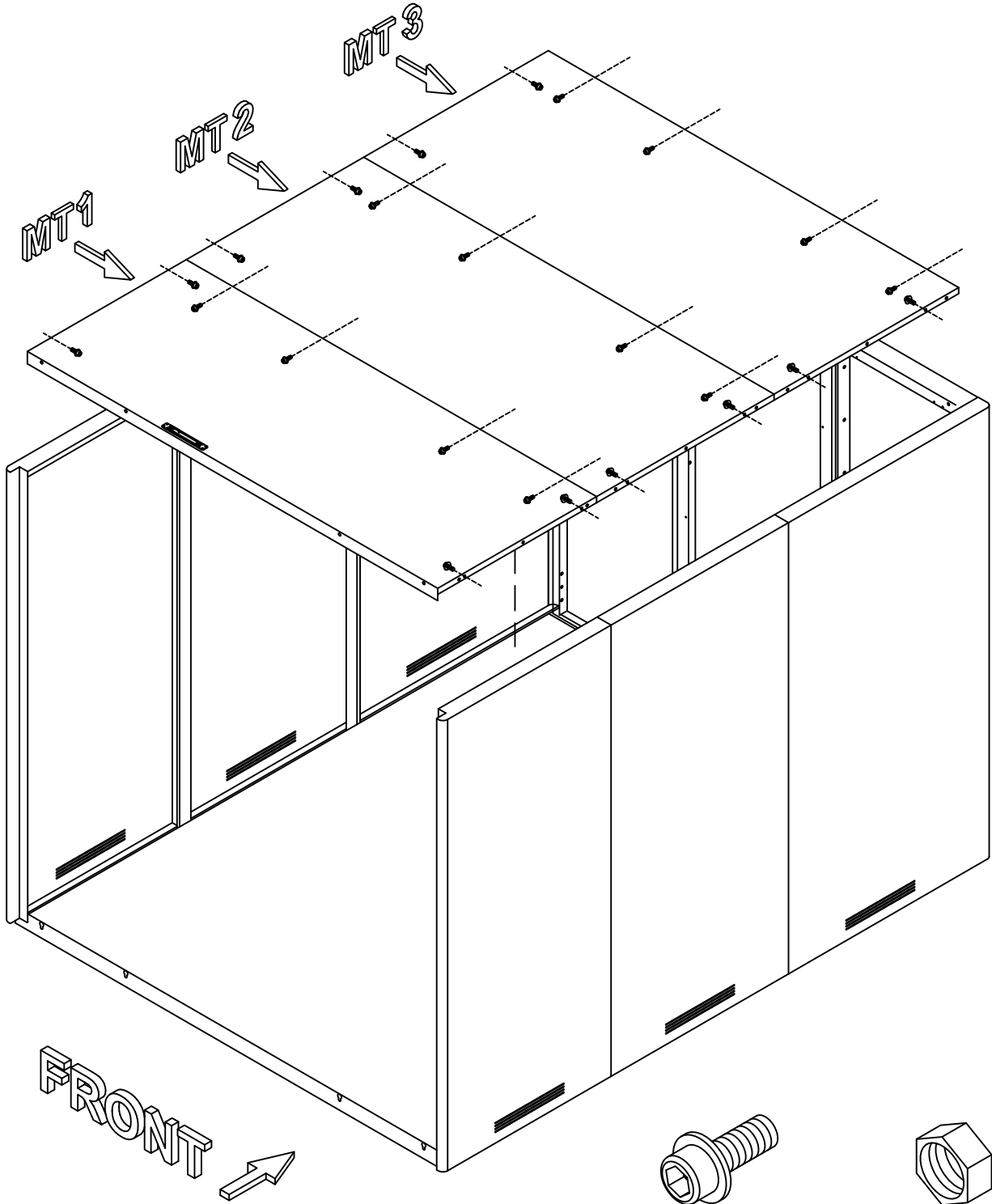
**Cap screw with flat washer
(m8 x 20zp)**

4



Cap screw with flat washer
(m8 x 20zp)

5



Cap screw
with flat washer
(m8 x 20zp)

Hex NUT
(m8)

6

ALU FIXED GLASS (L)

DETAIL : (G)

ALU FIXED GLASS (R)

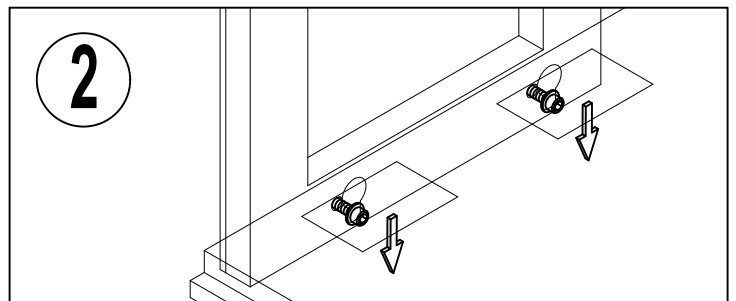
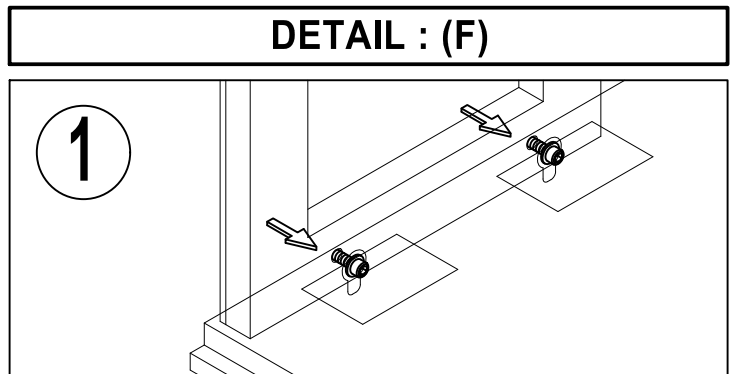
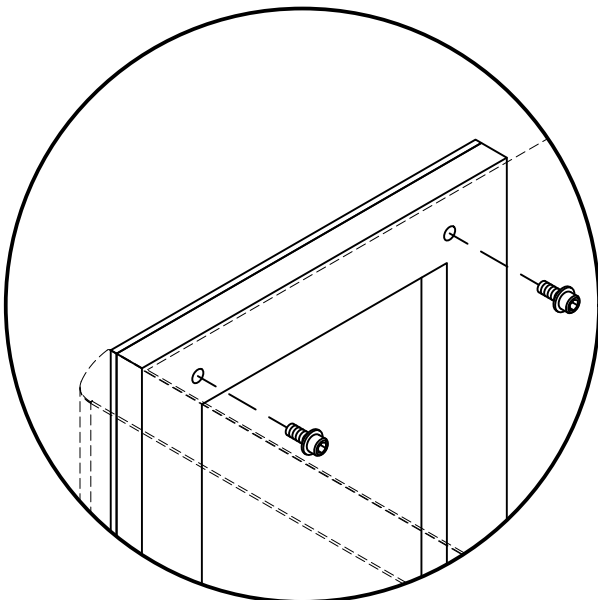
DETAIL : (F)

928mm

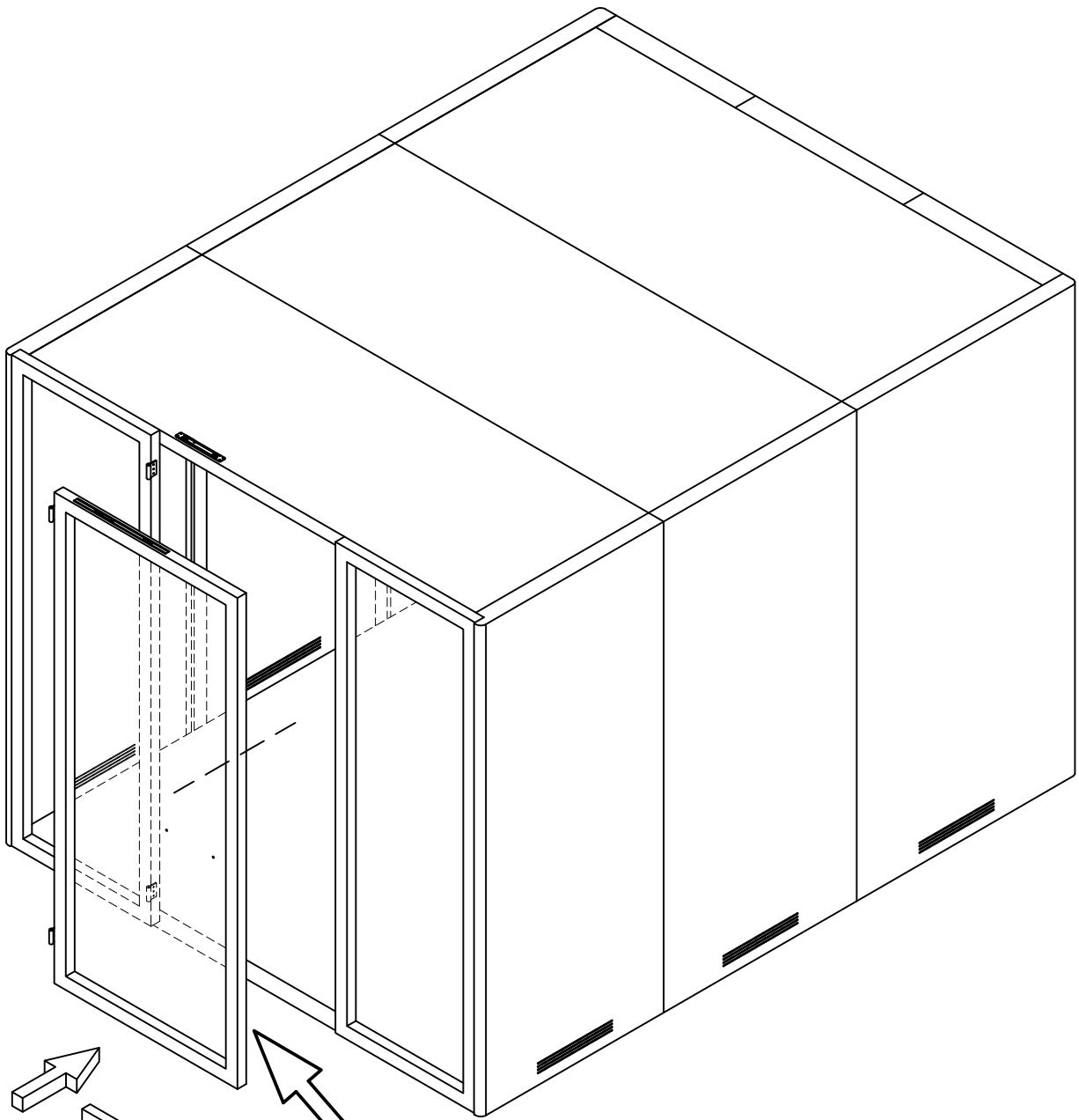
FRONT

DETAIL : (G)

DETAIL : (F)

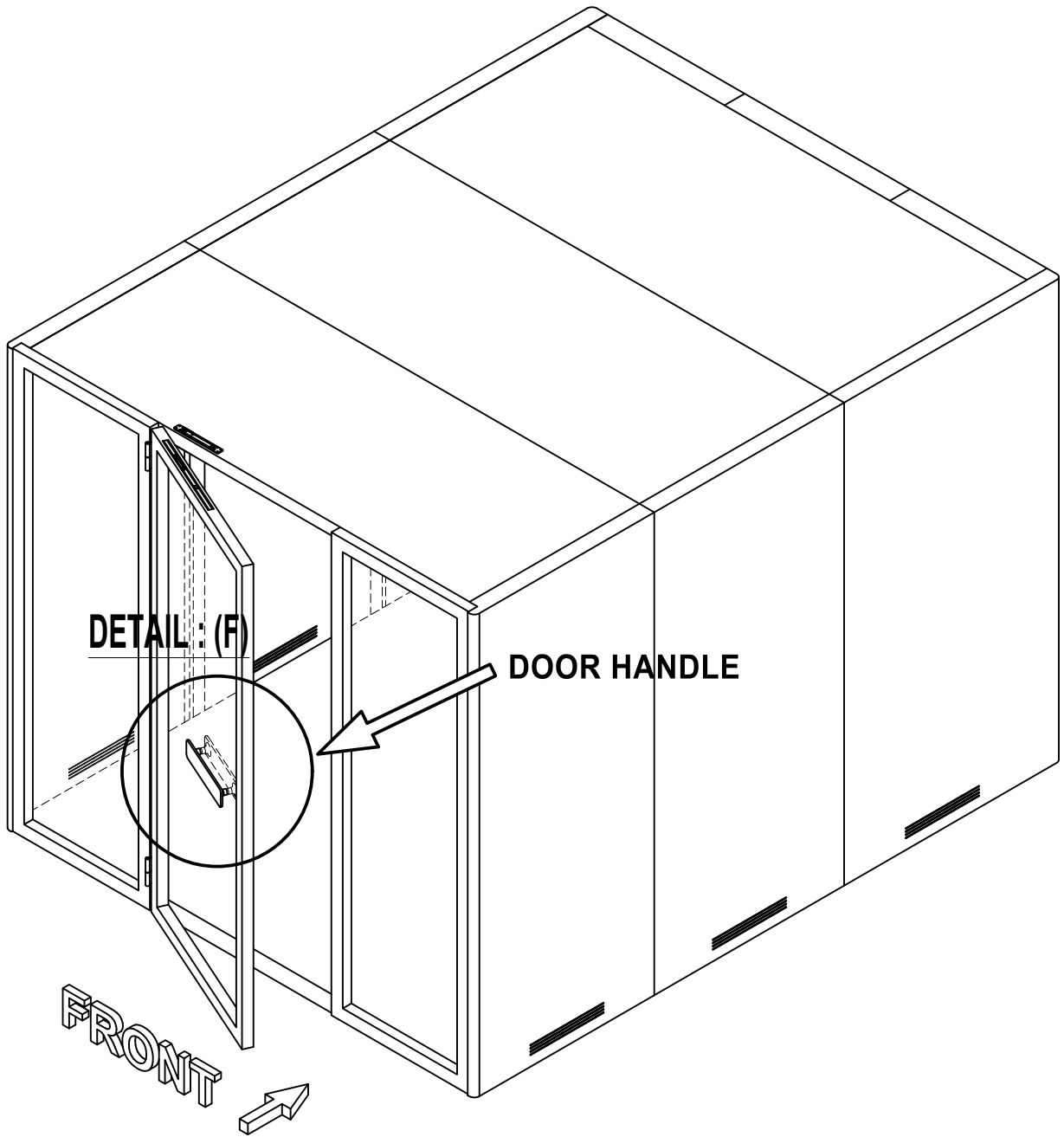


7

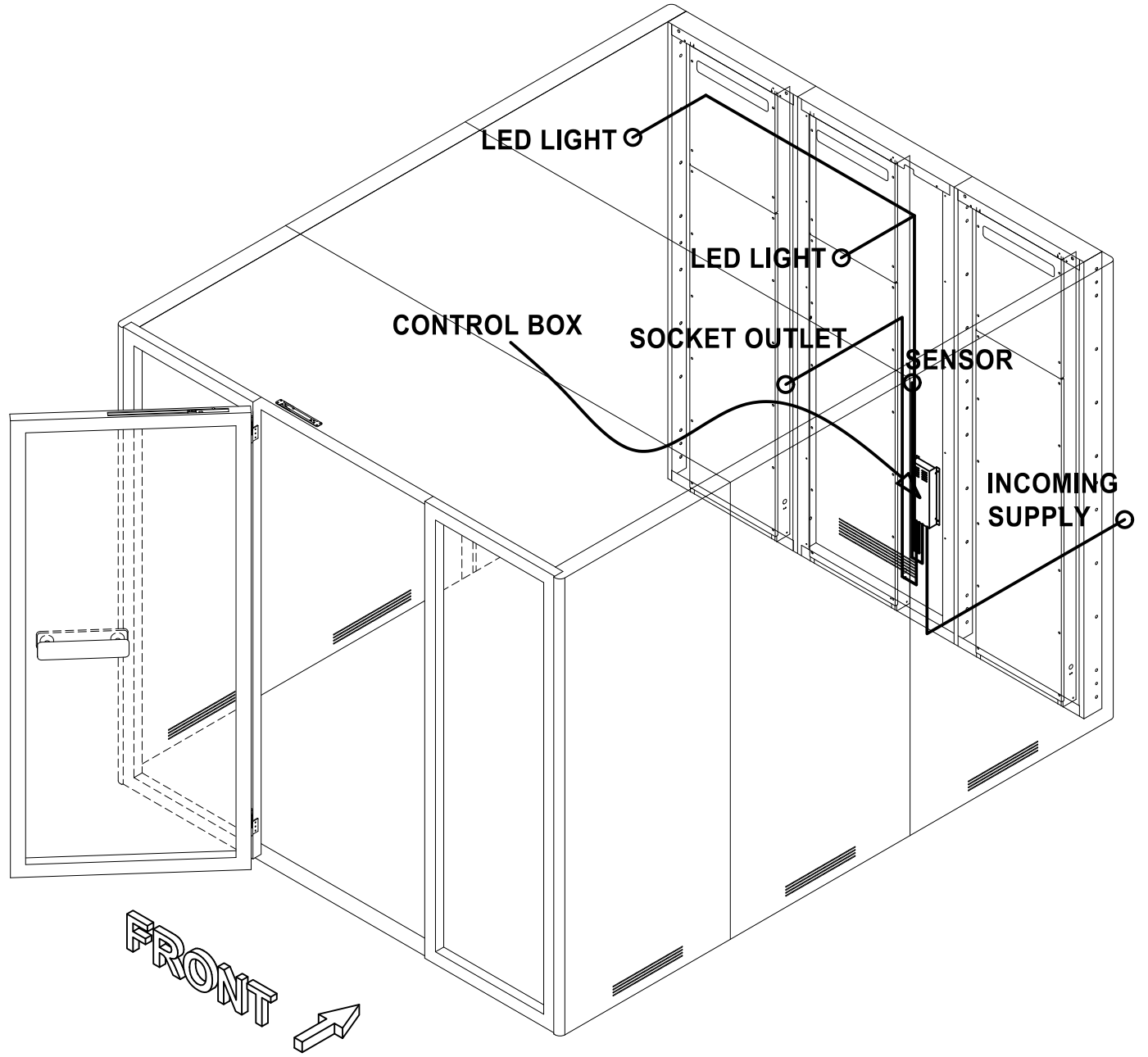


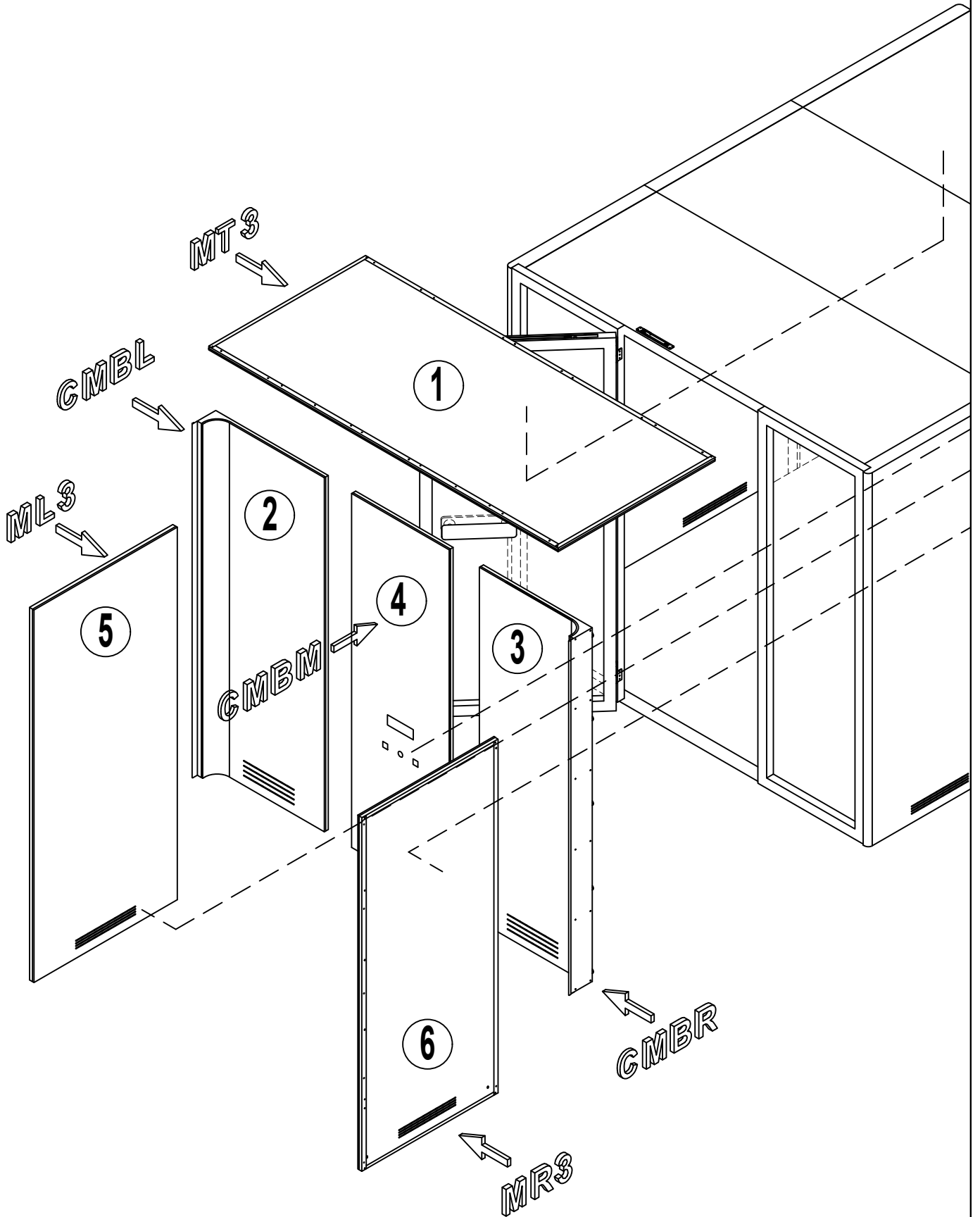
↑
FRONT

↖
GLASS SWING DOOR

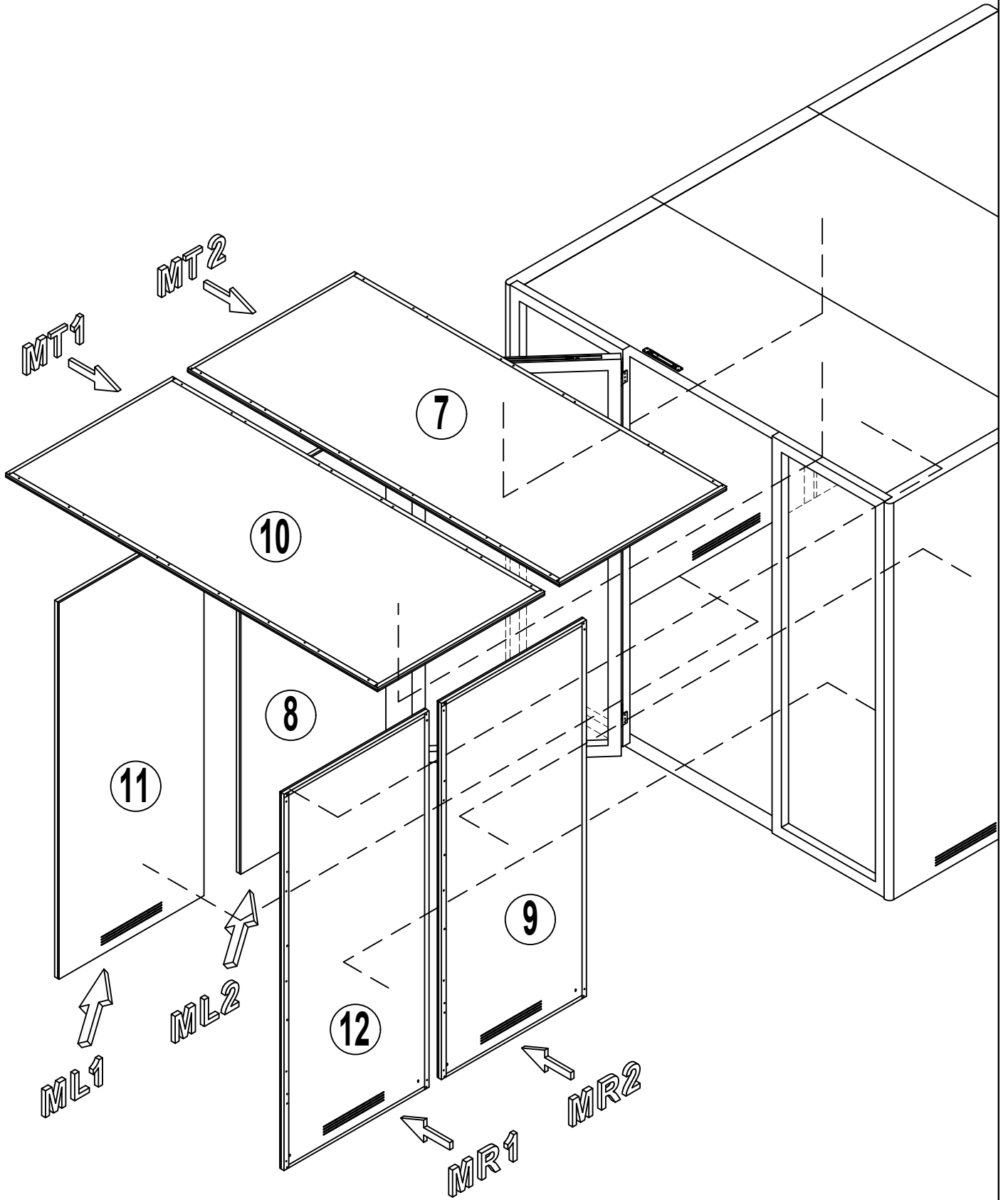


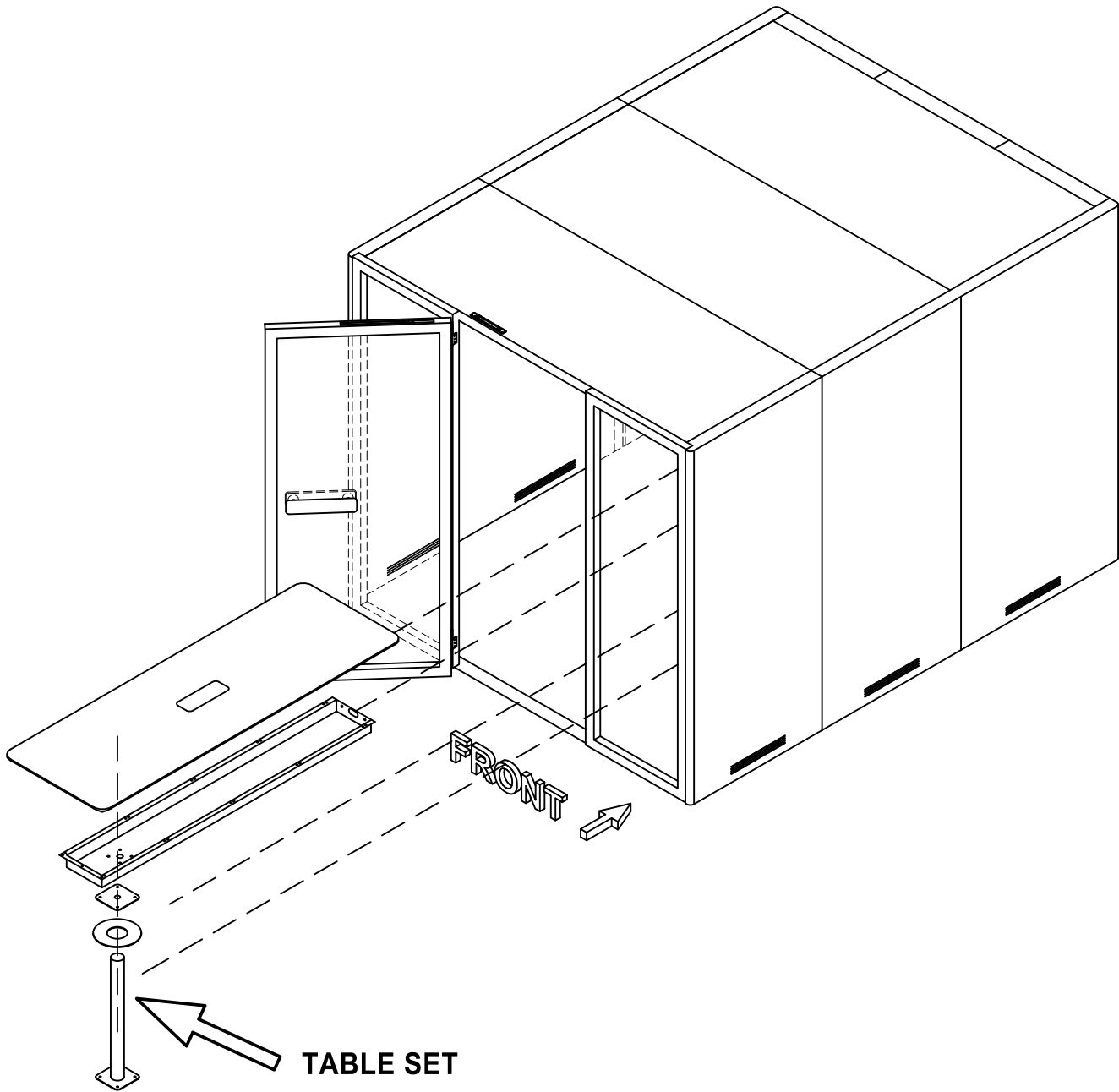
DETAIL :F □ Please refer to the provided door handle box.



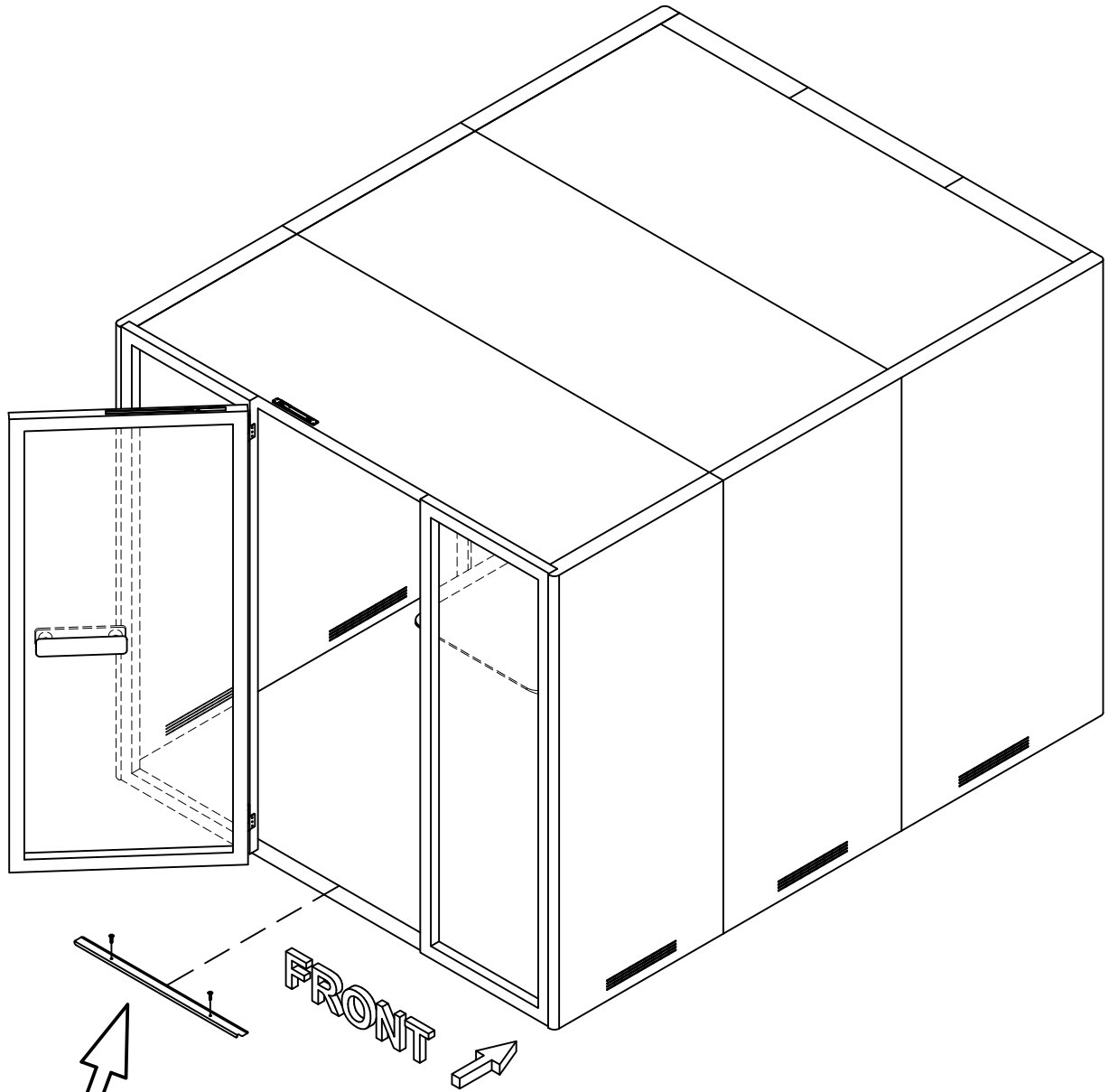


11

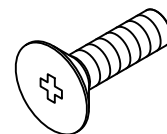




13



SIDE STEP



S/S A2 CSK HD MC SCREW
(m5 x 12)

