

# INAPOD

Office Pod Series

**SERIES 2**

**ASSEMBLY DIAGRAM**

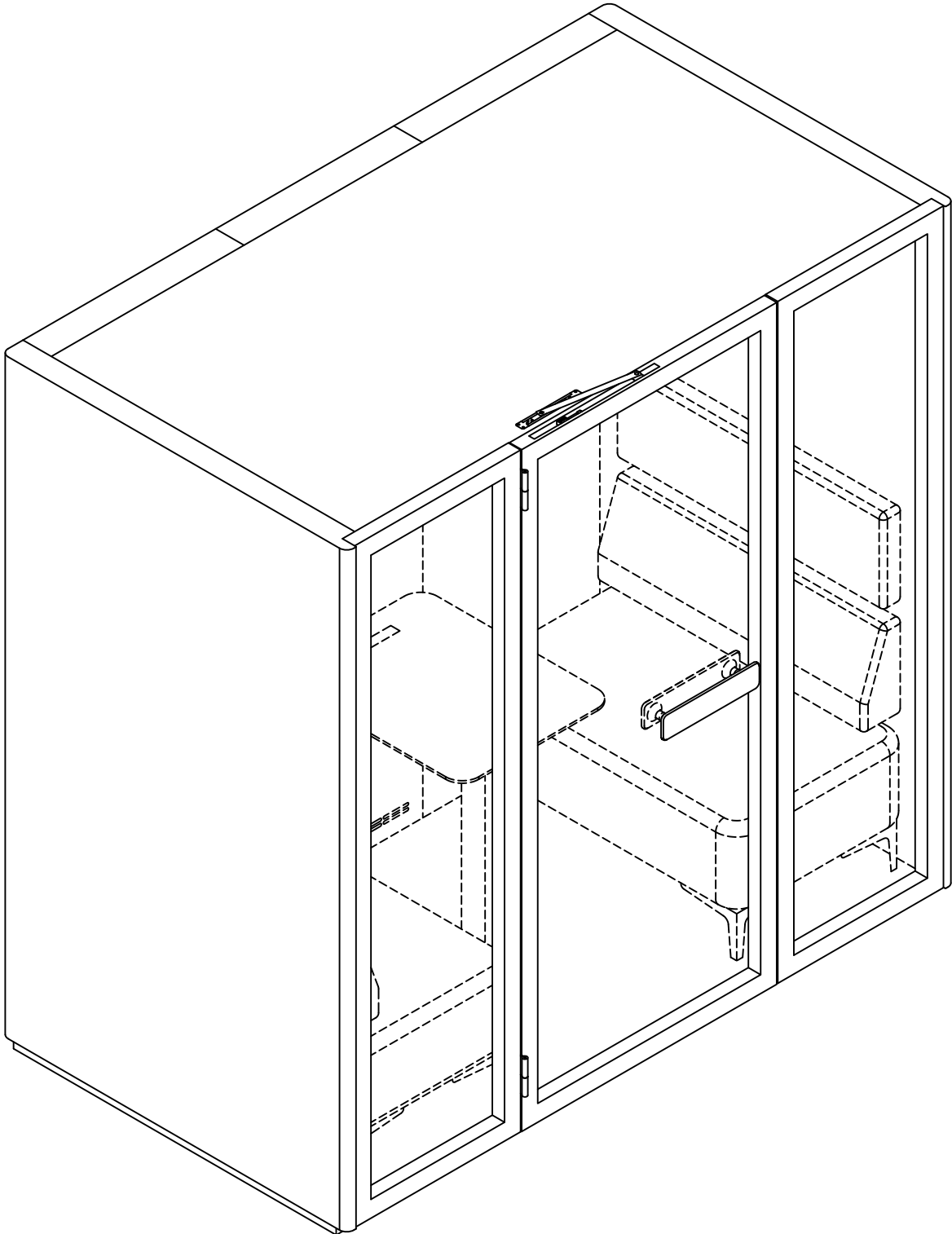


**SERIES 2—D-POD**

**1-4 PERSON POD**

# INSTALLATION MANUAL

## D POD



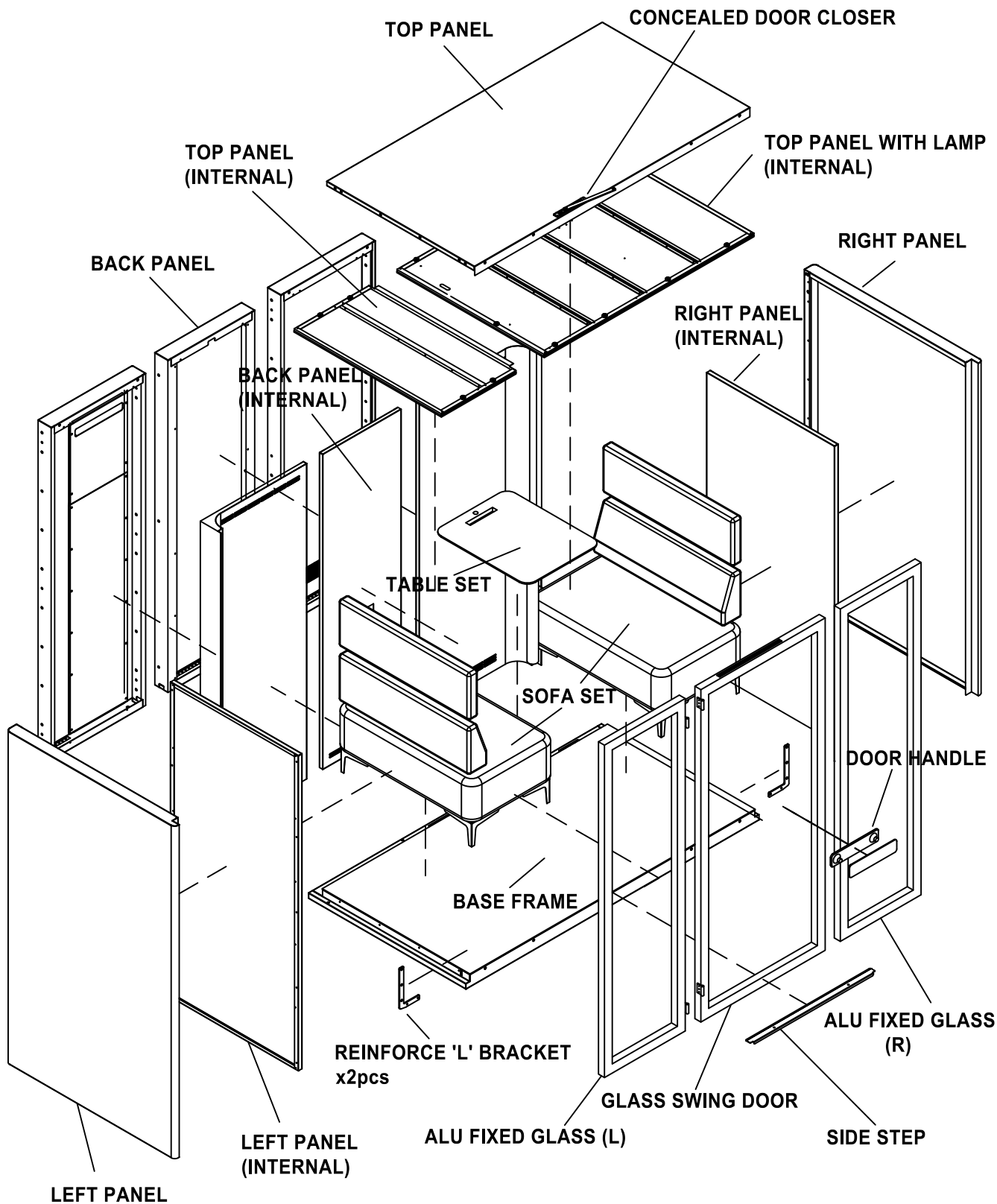
## ATTENTION

Please read installation manual carefully before assemble.

First remove the accesory box. Carton number (1)

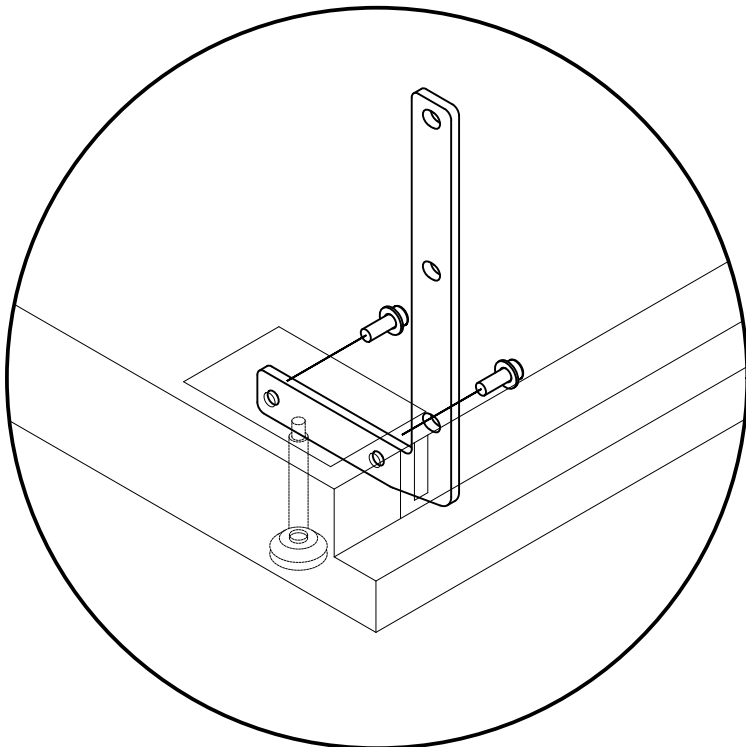
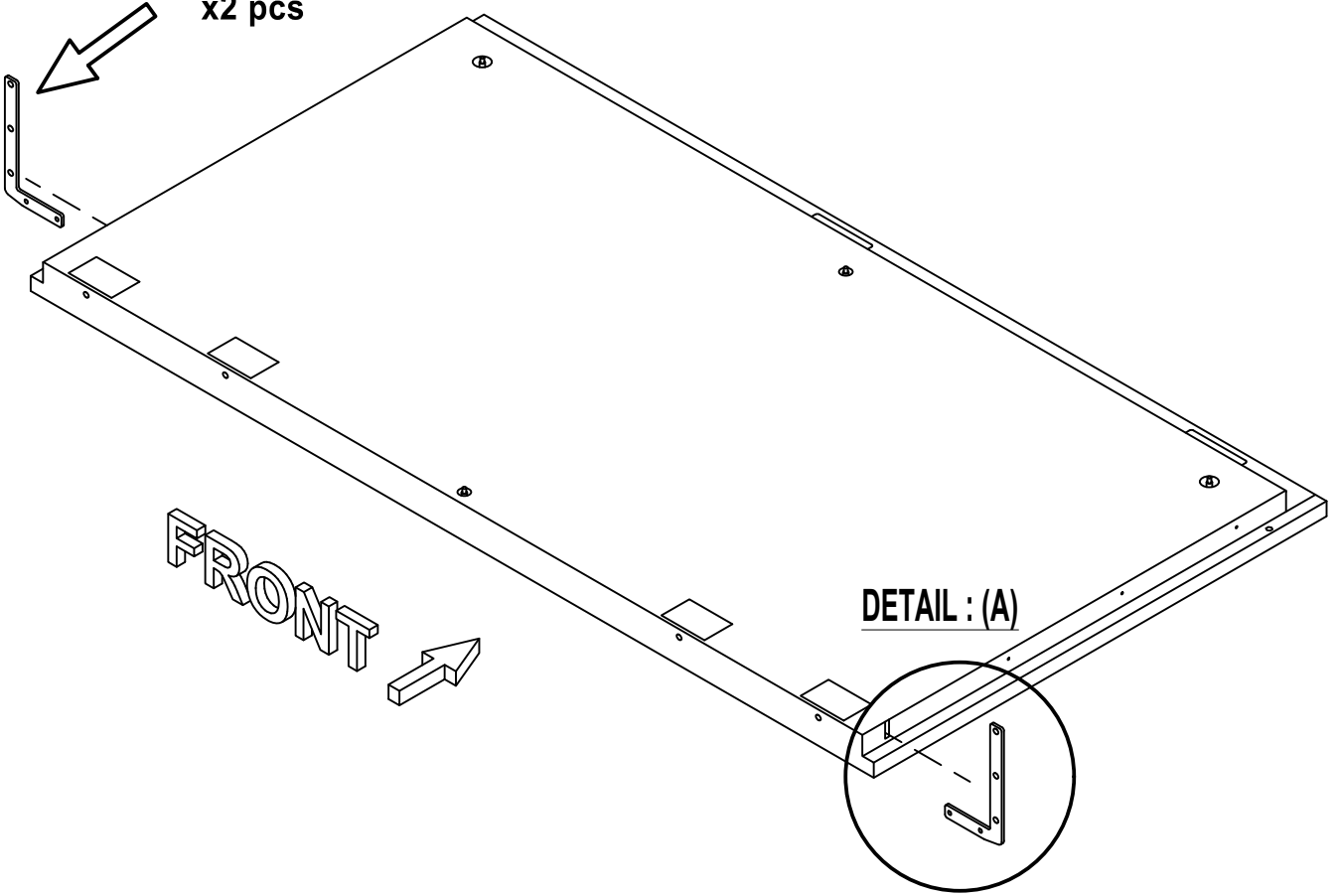
Follow the carton number when unboxing.

Complete assemble each according to the carton number and proceed to the next.

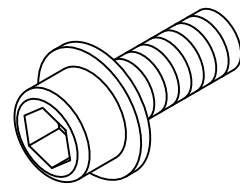


1

REINFORCE 'L' BRACKET  
x2 pcs

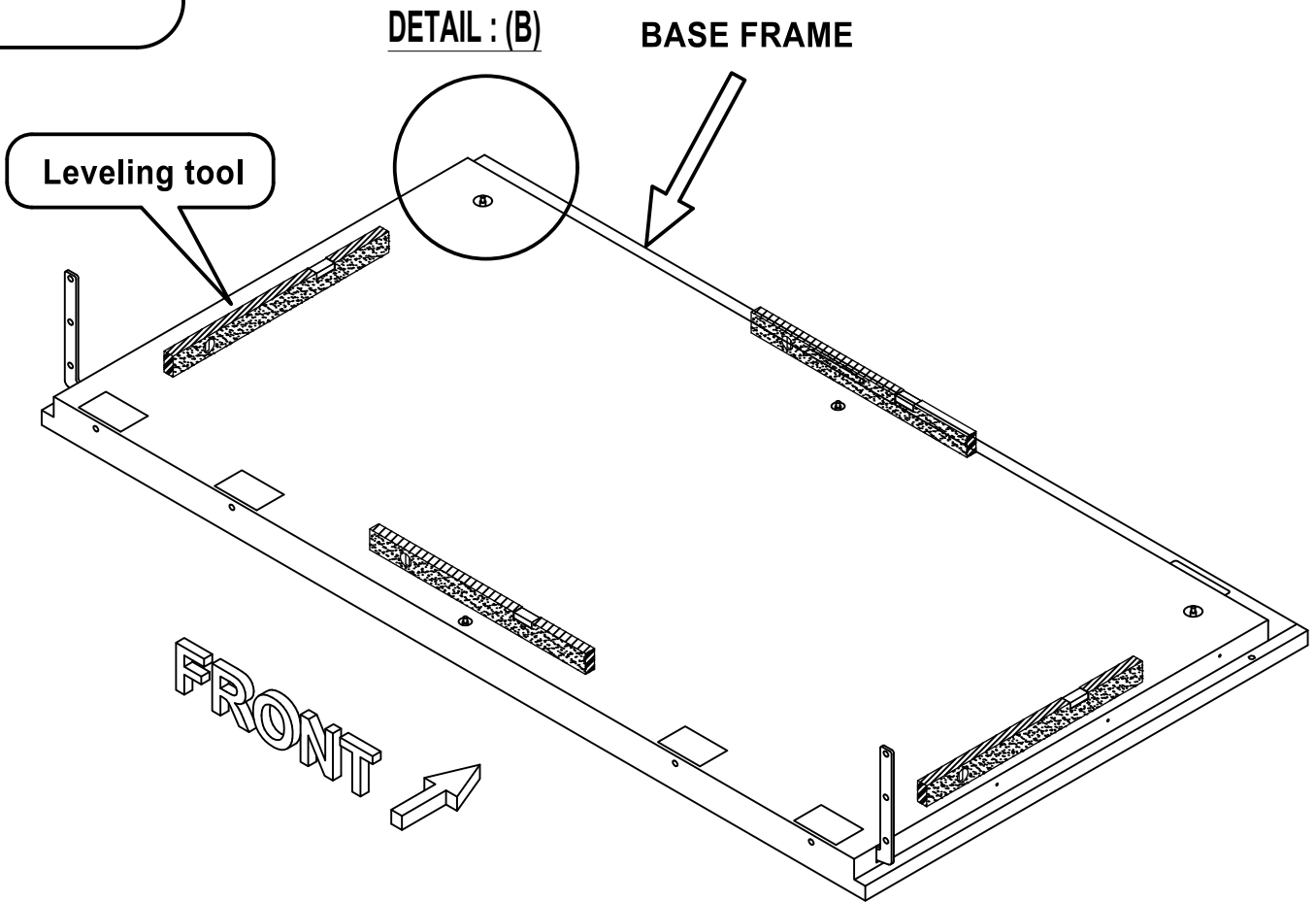


DETAIL : (A)

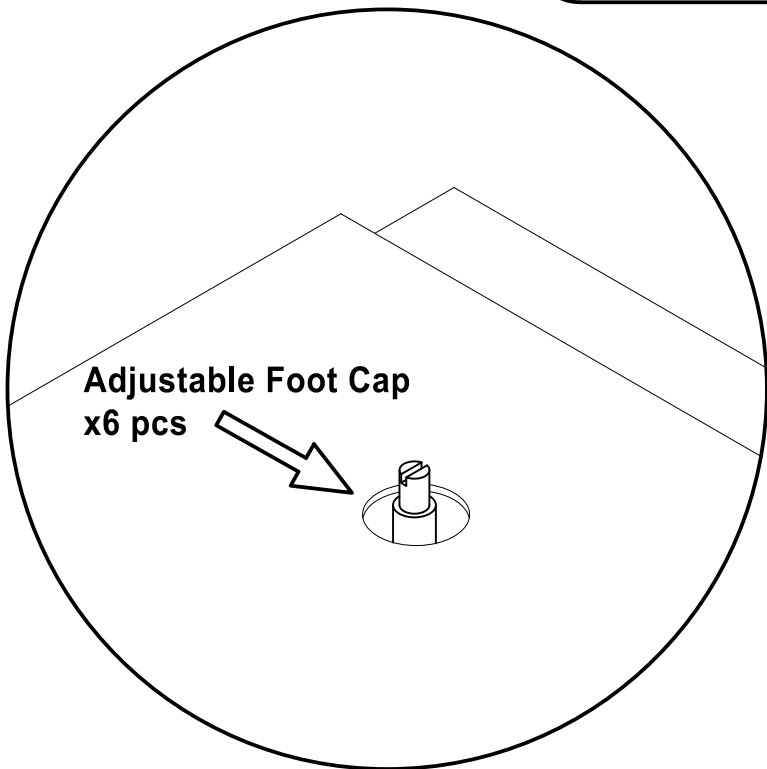


Cap screw with flat washer  
(m8 x 20zp)

2



- Step 1 □ Push to final position before setting up the booth
- Step 2 □ Adjustable foot cap for leveling
- Step 3 □ Level the base before installation



DETAIL : (B)

3

LEFT PANEL

DETAIL : (D)

RIGHT PANEL

DETAIL : (D)

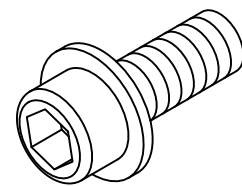
DETAIL : (C)

FRONT

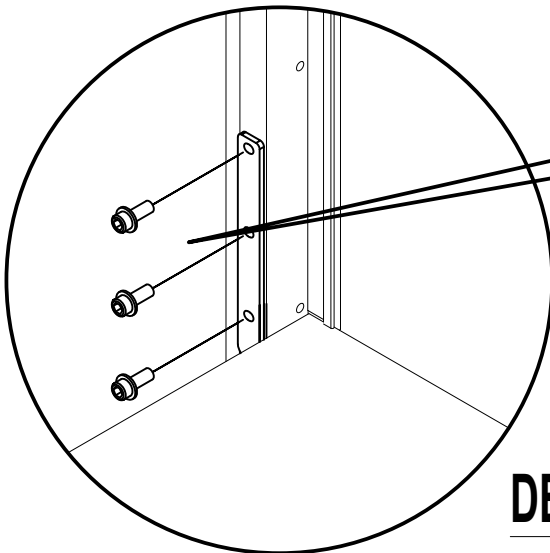
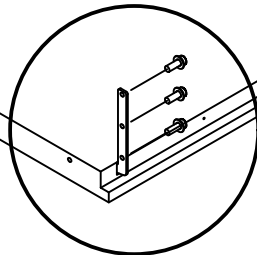
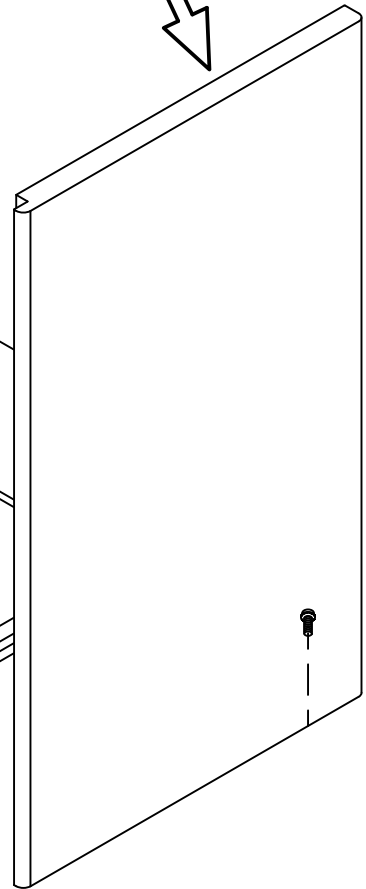
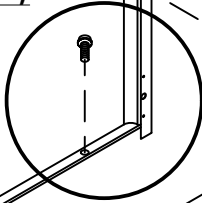
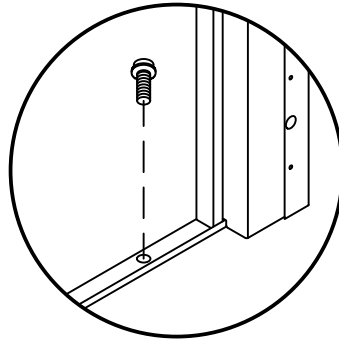
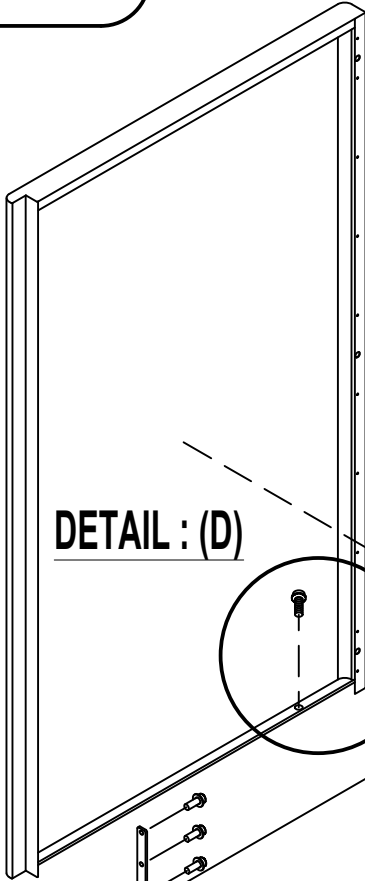


Do not tighten

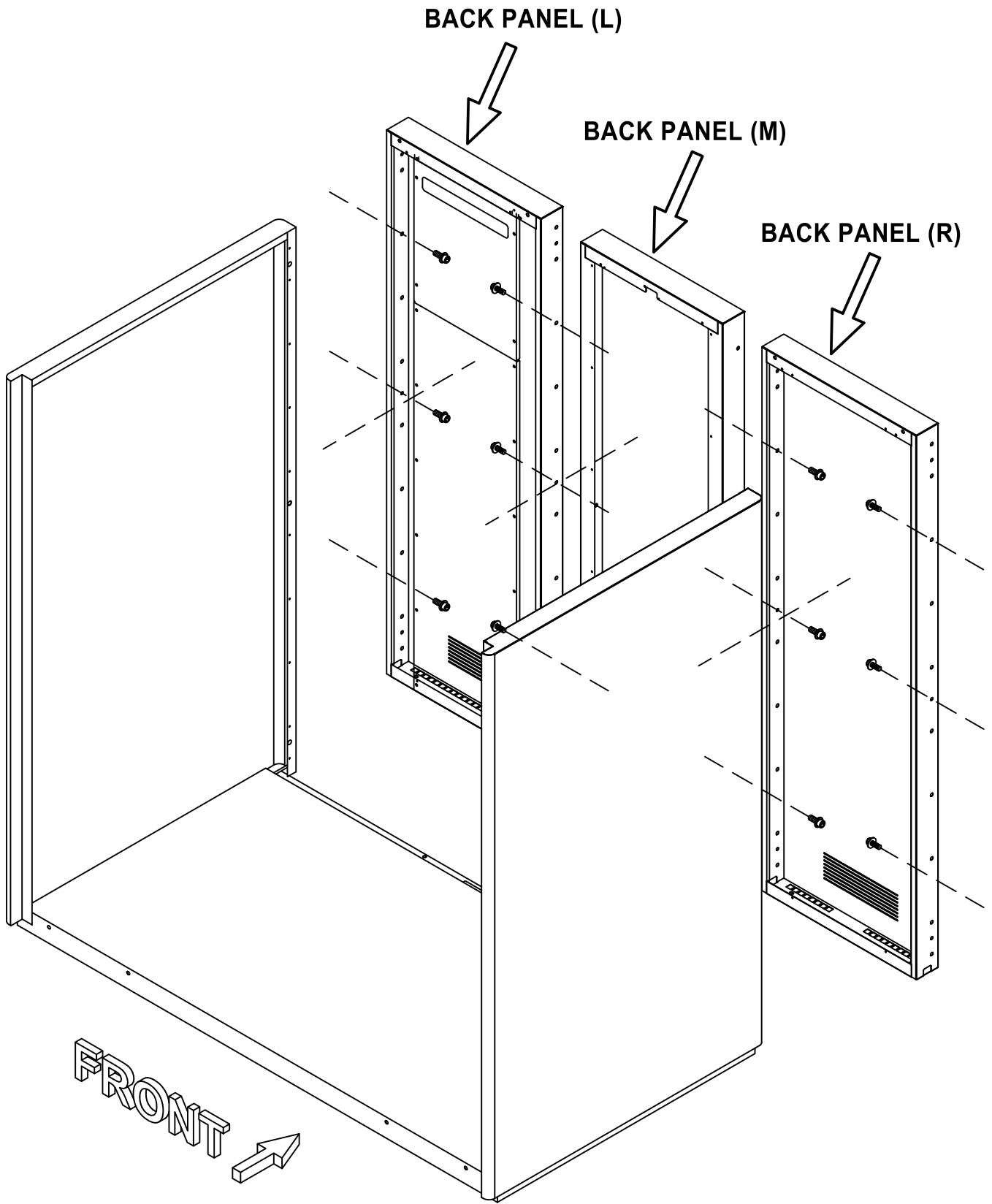
DETAIL : (C)



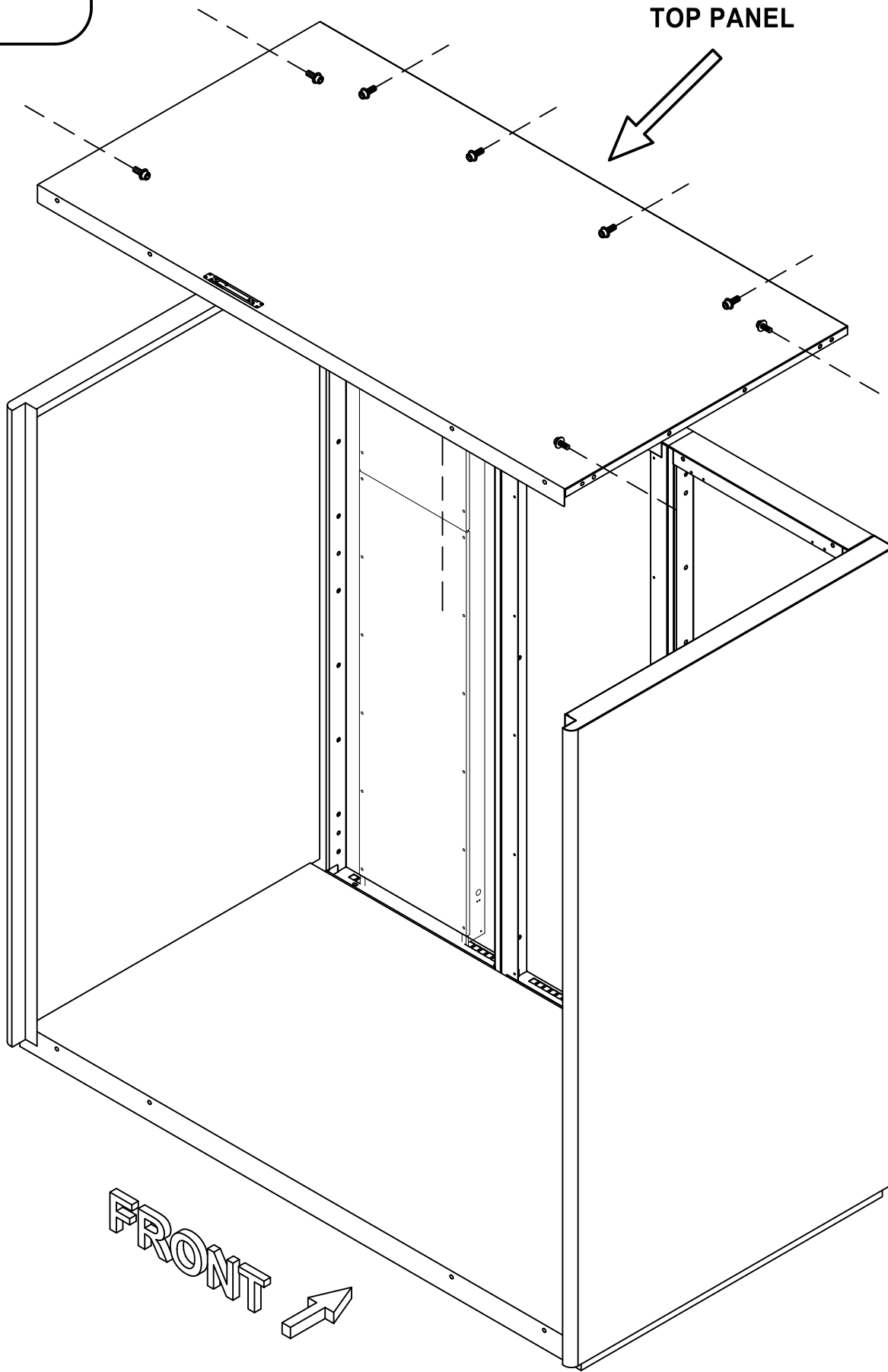
Cap screw with flat washer  
(m8 x 20zp)



4

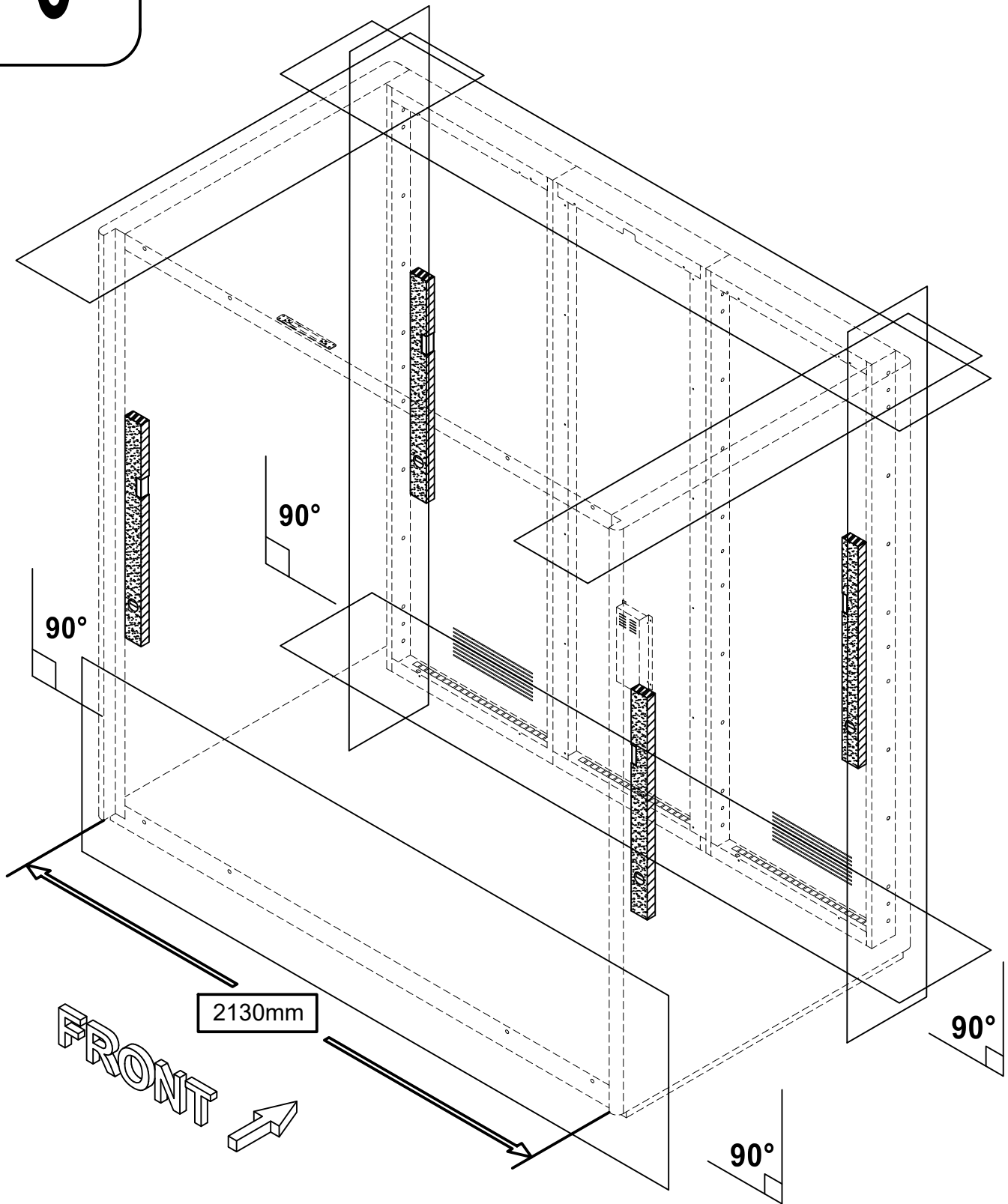


5





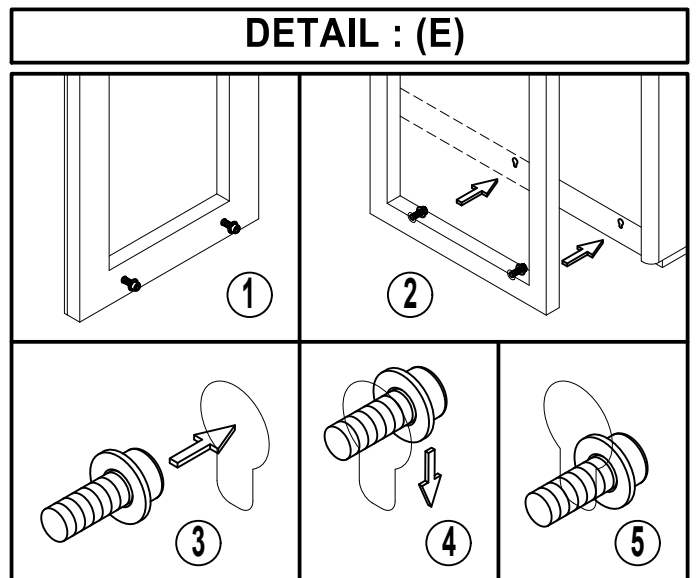
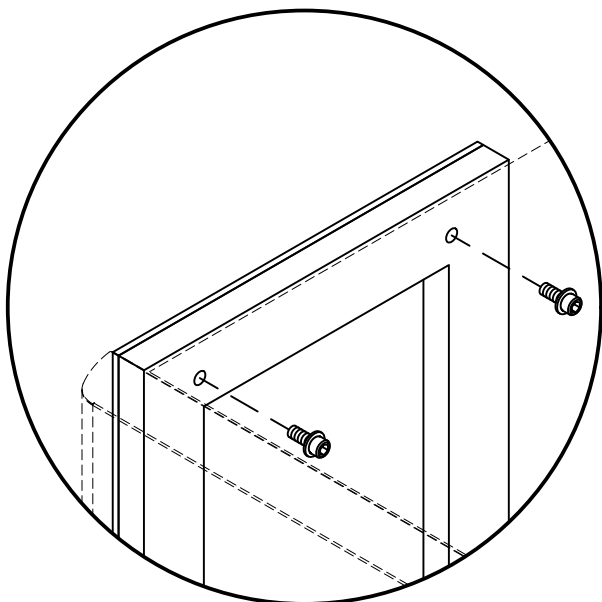
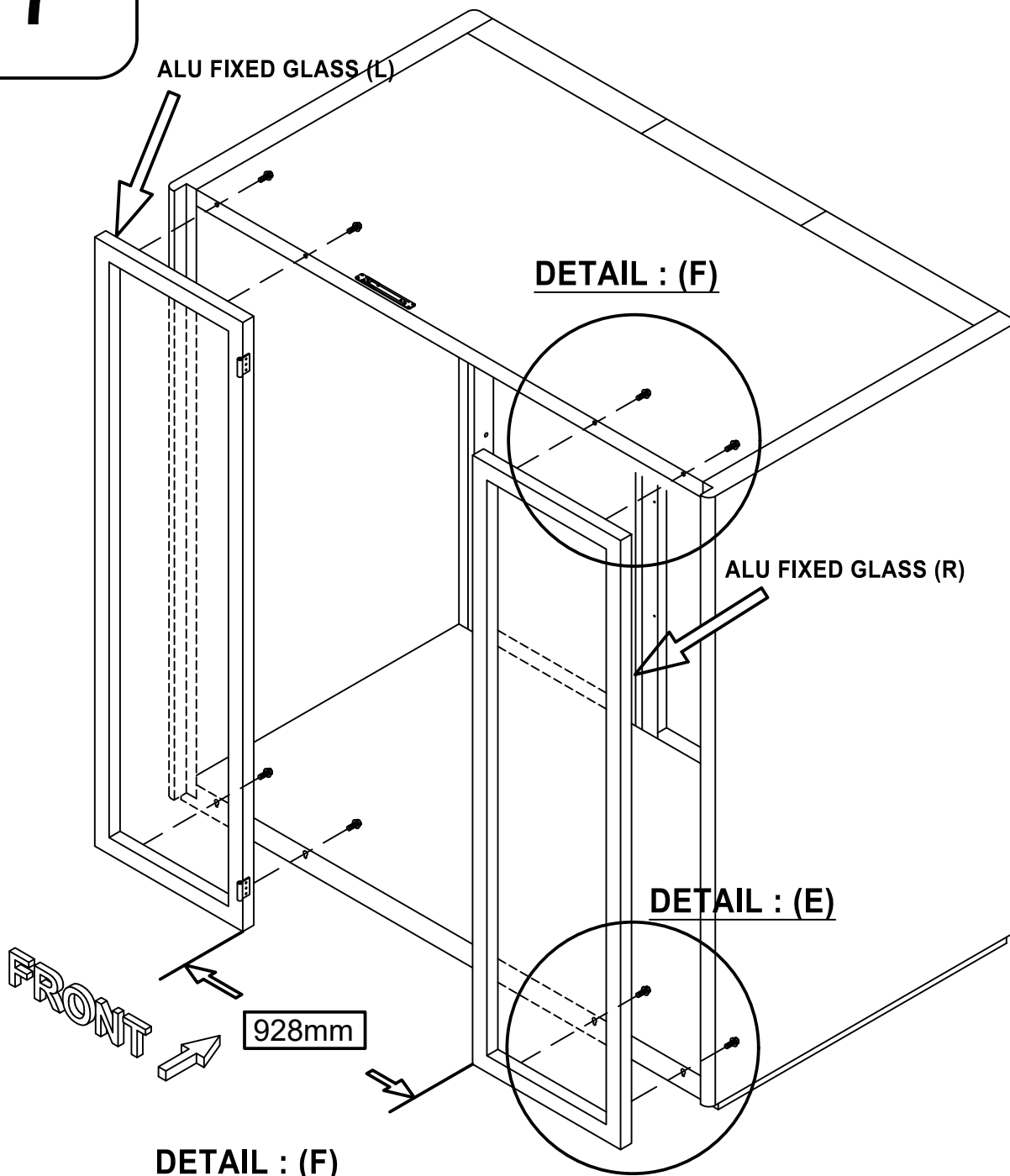
6



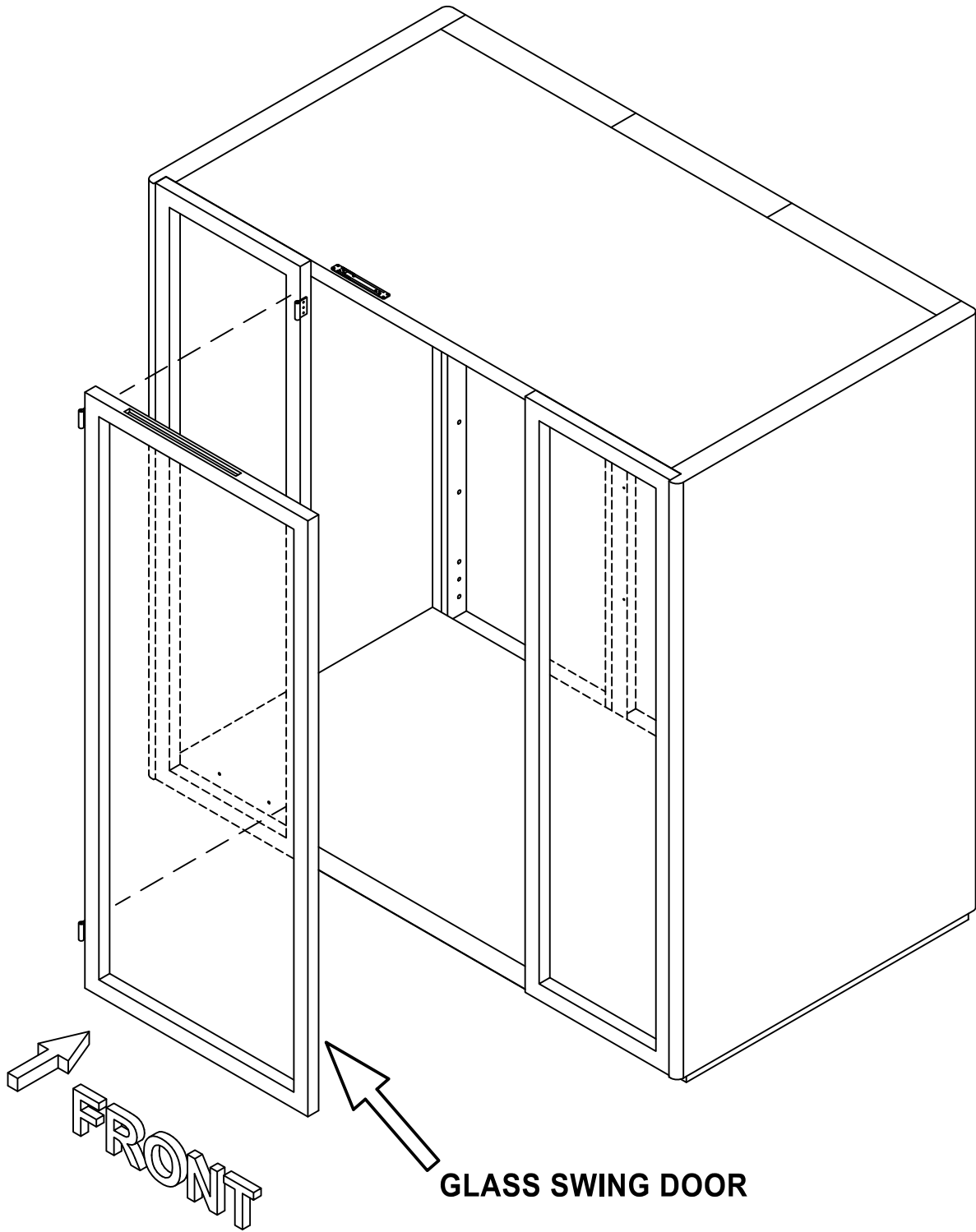
**STEP 1** □ Check Leveling

**STEP 2** □ Tighten all screw to ensure steady structure

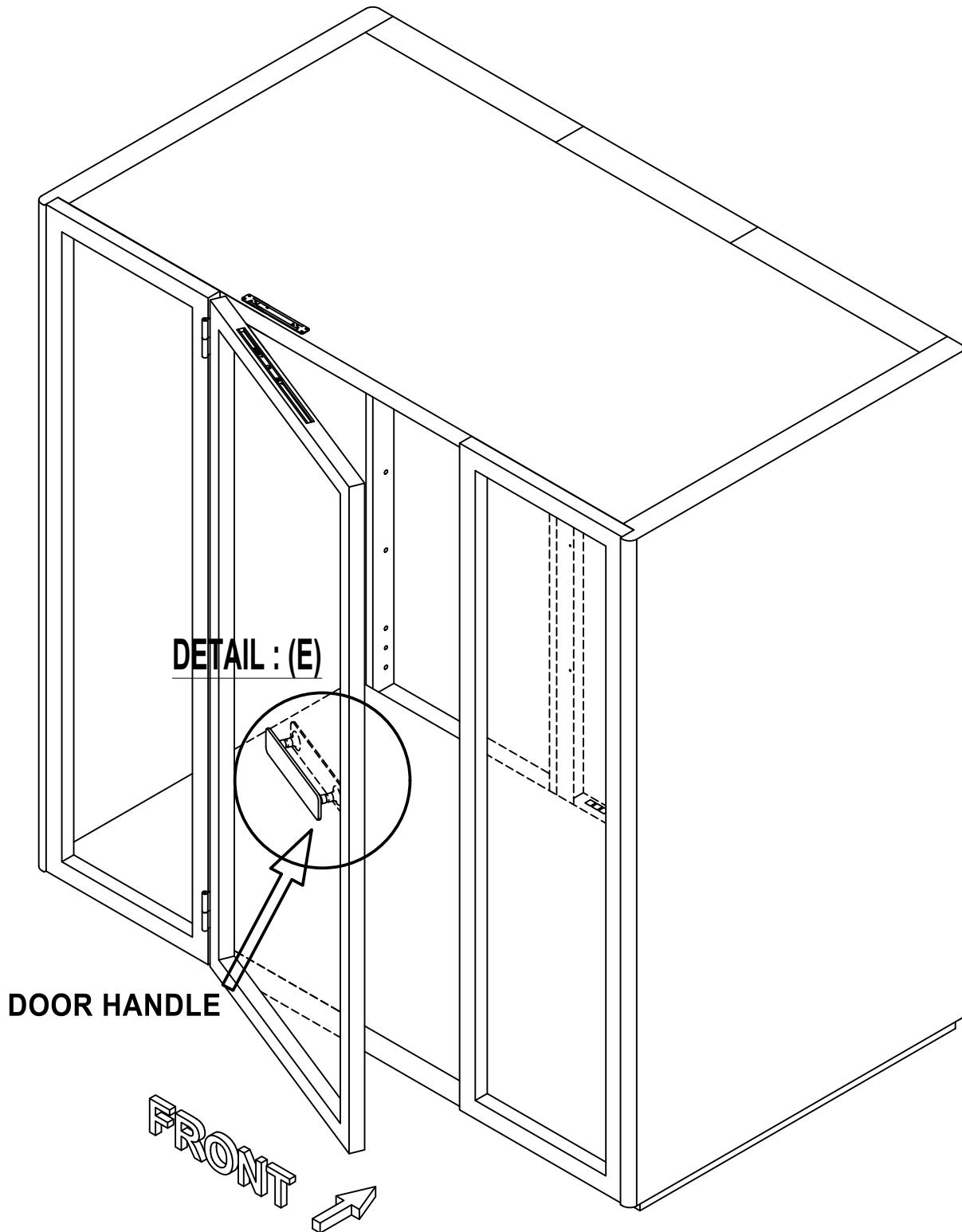
7



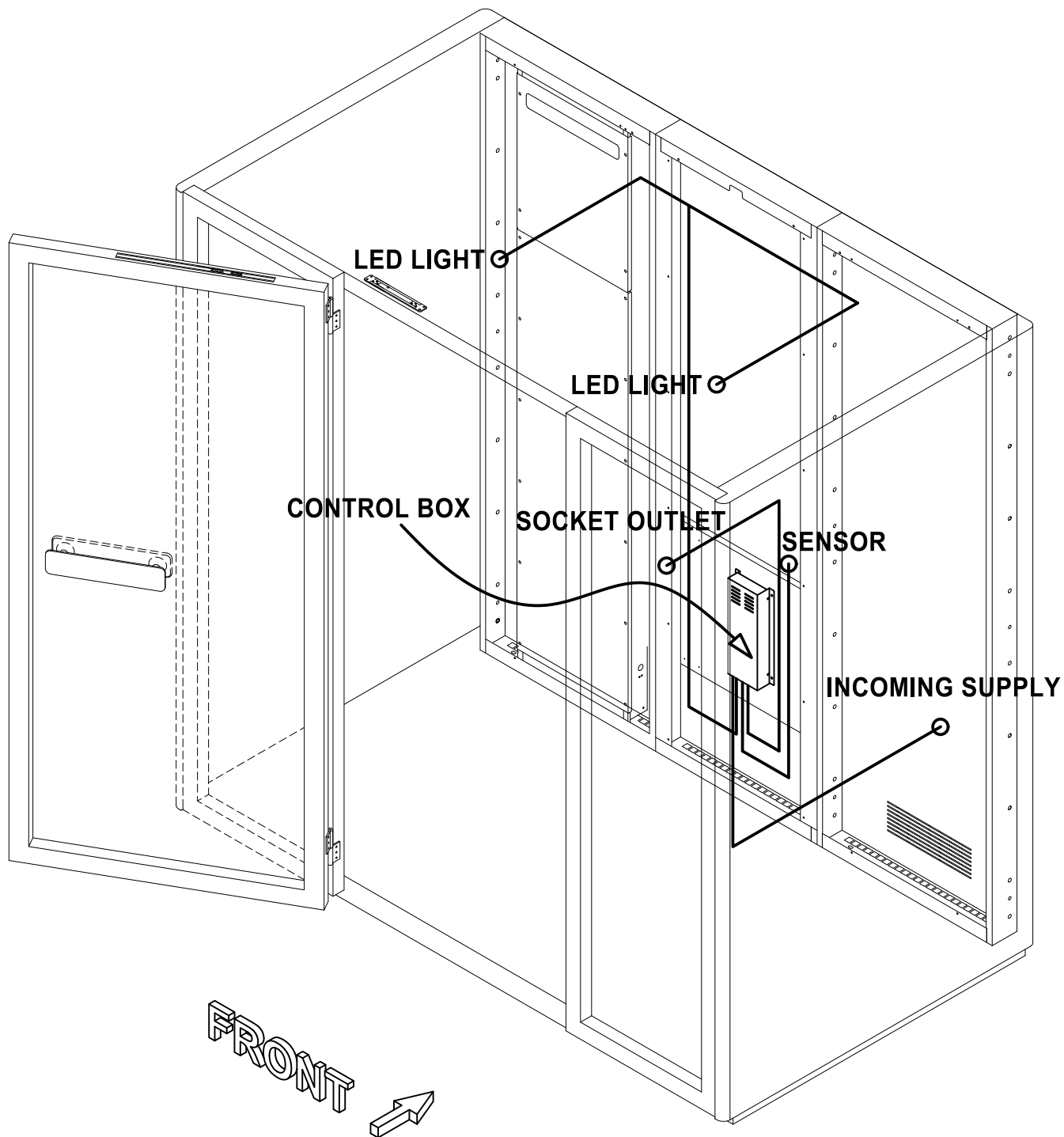
8

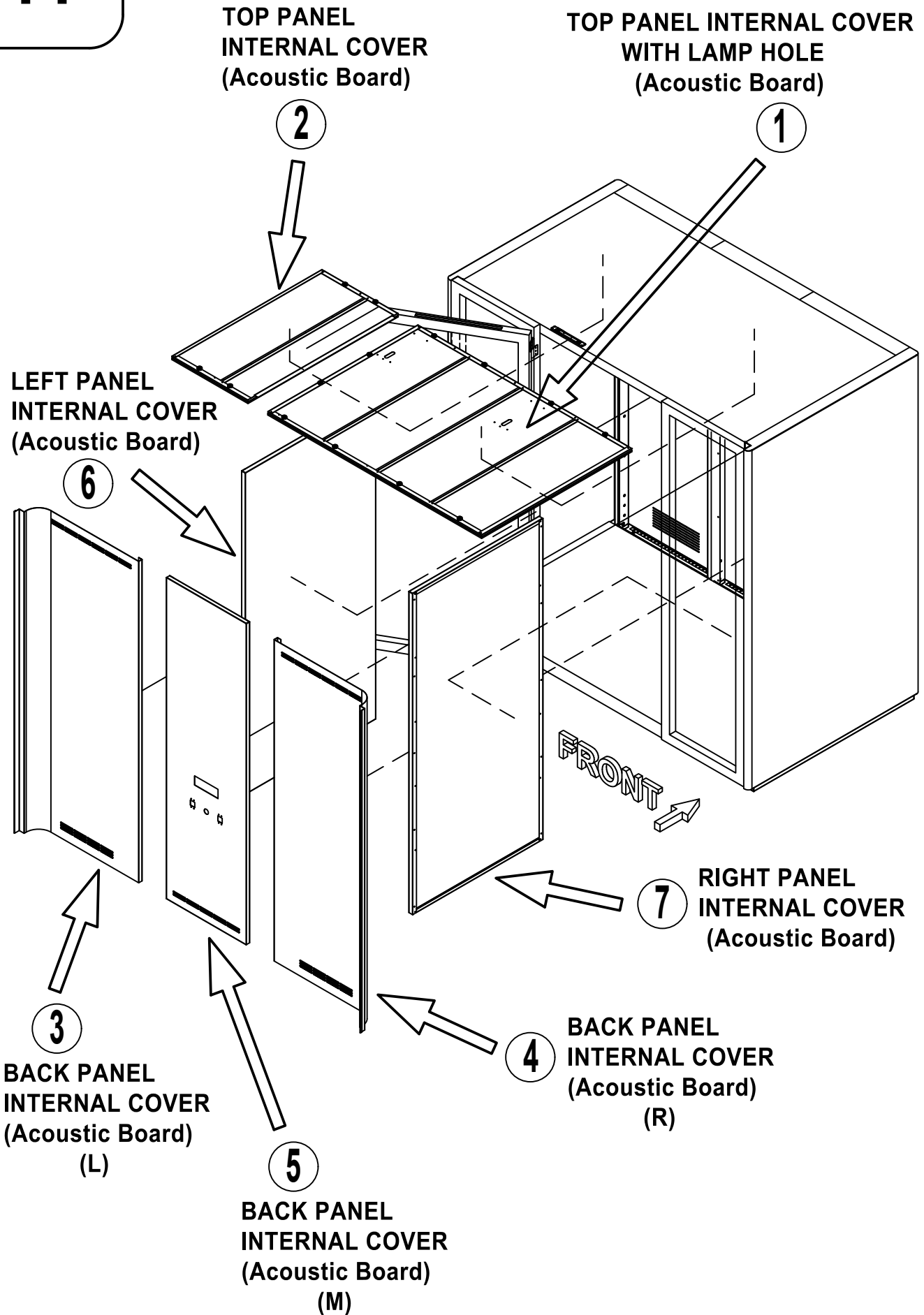


9

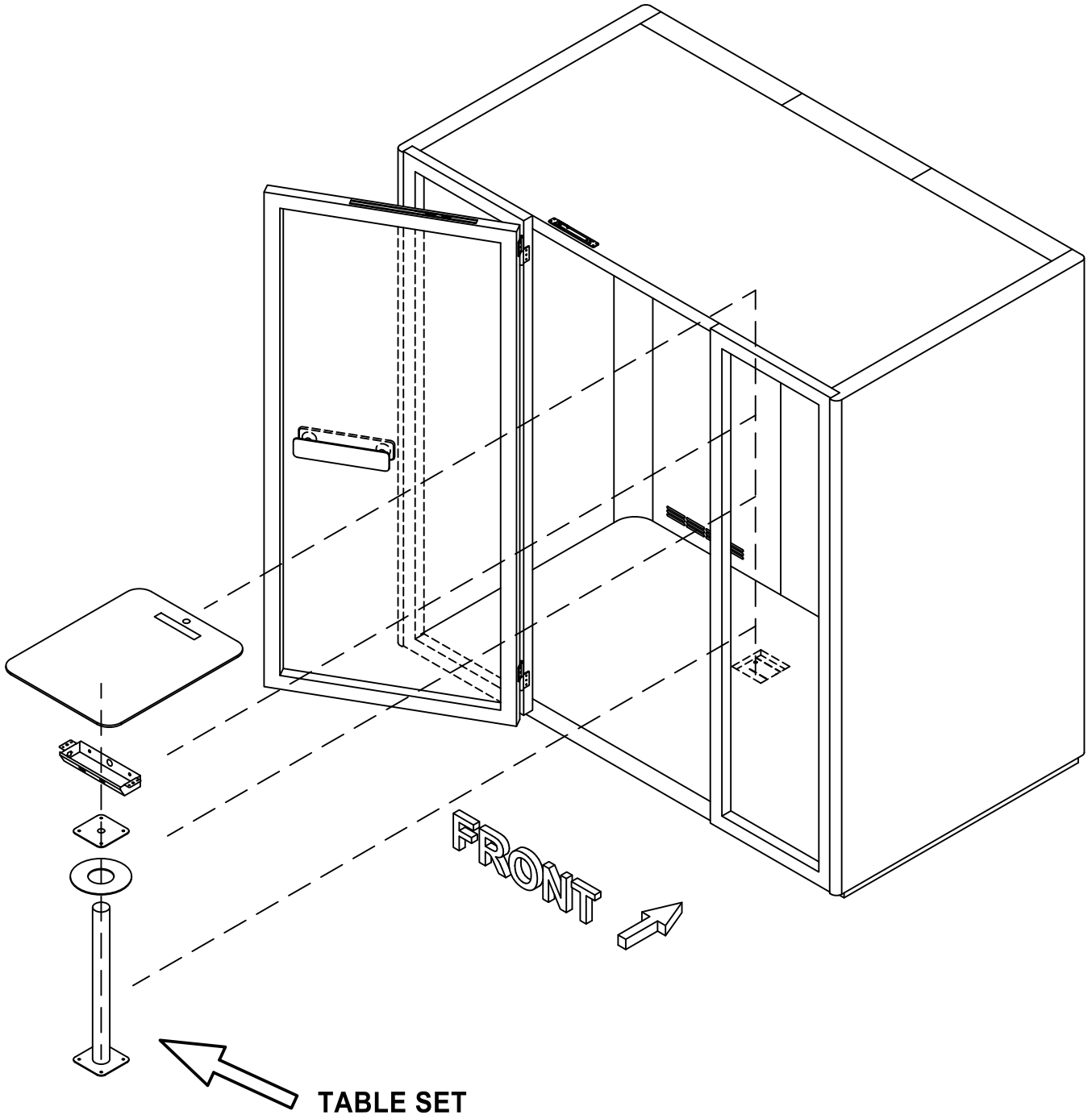


DETAIL :E □ Please refer to the provided door handle box.

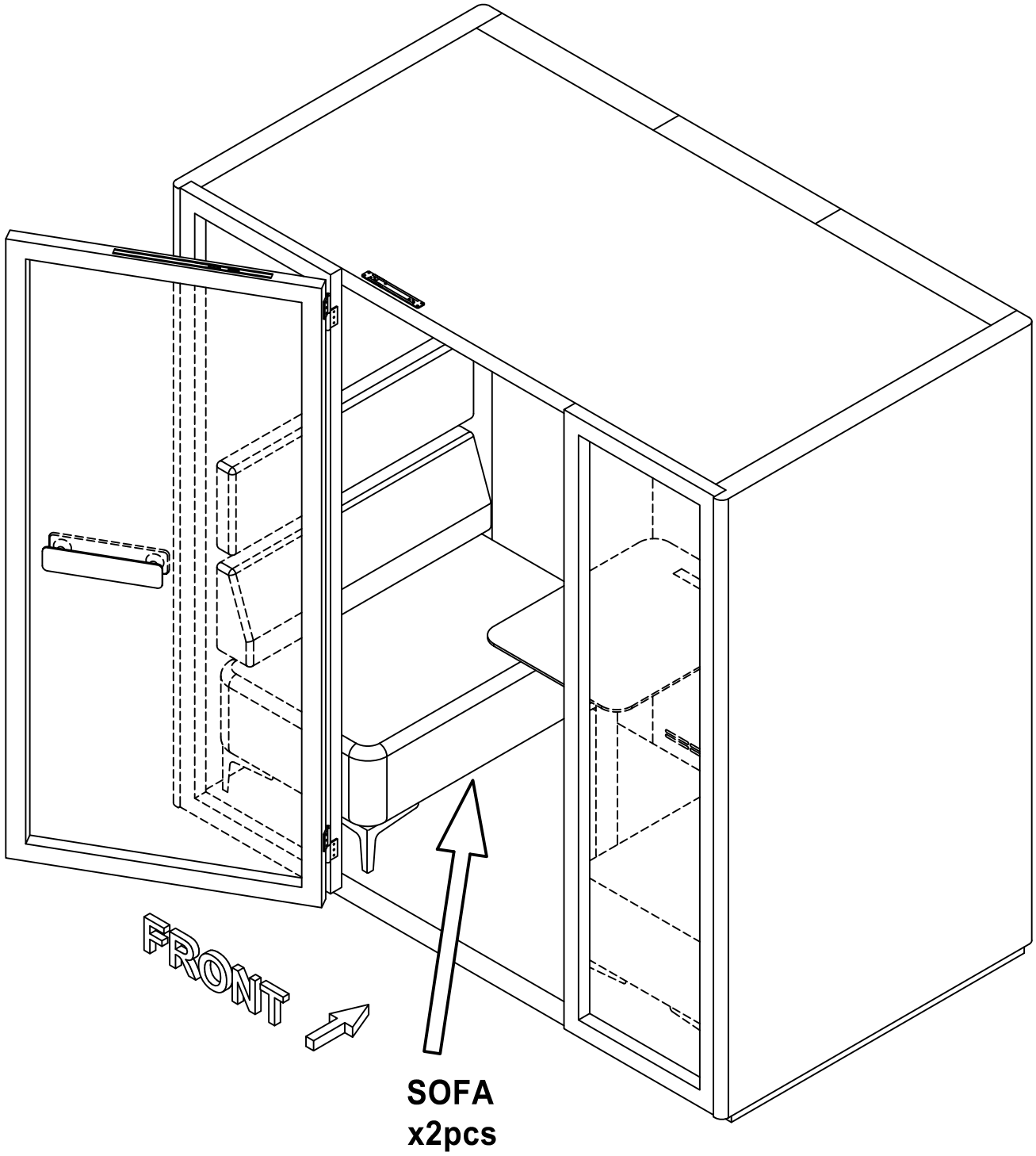




12

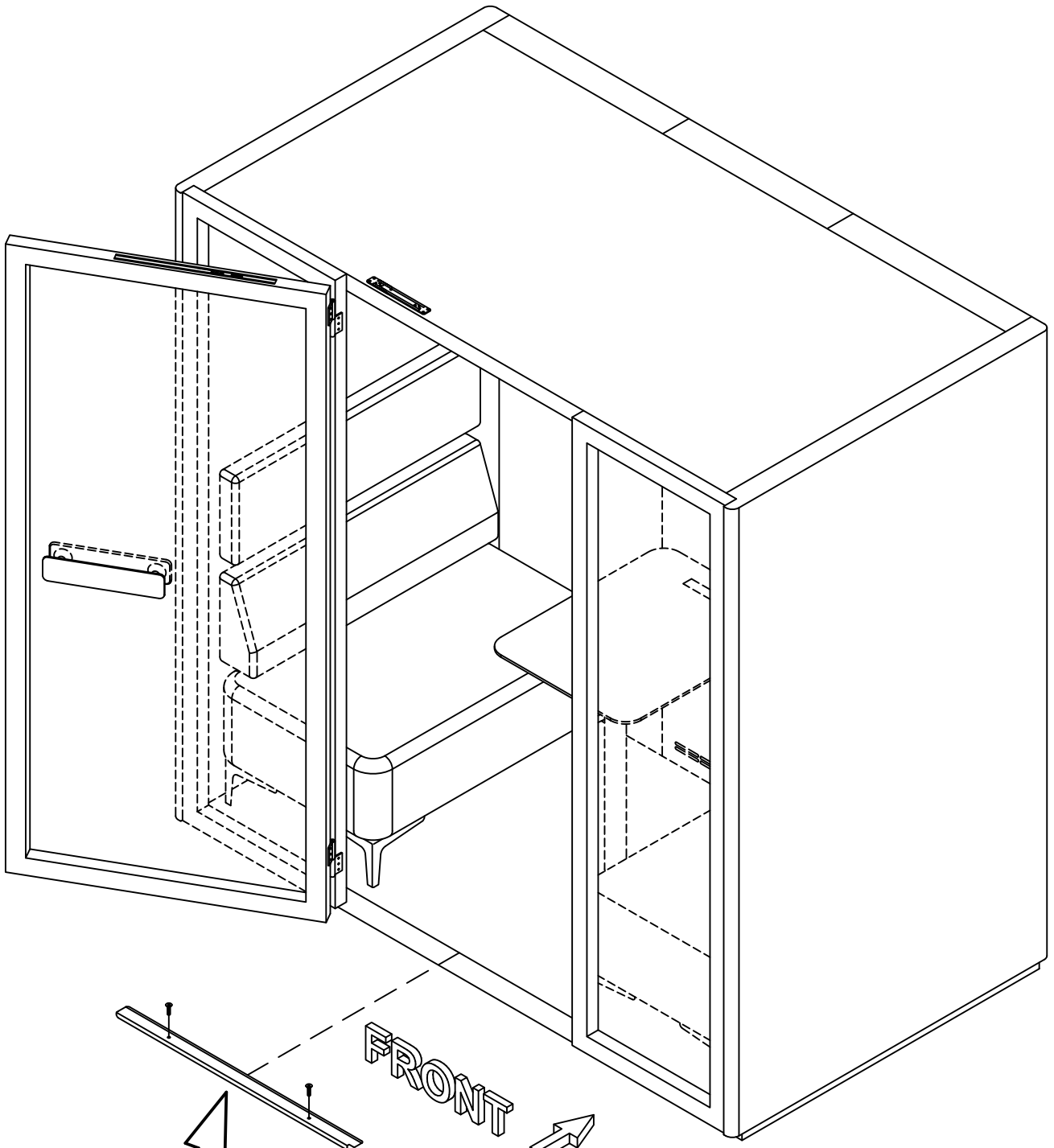


13

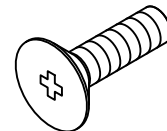




14



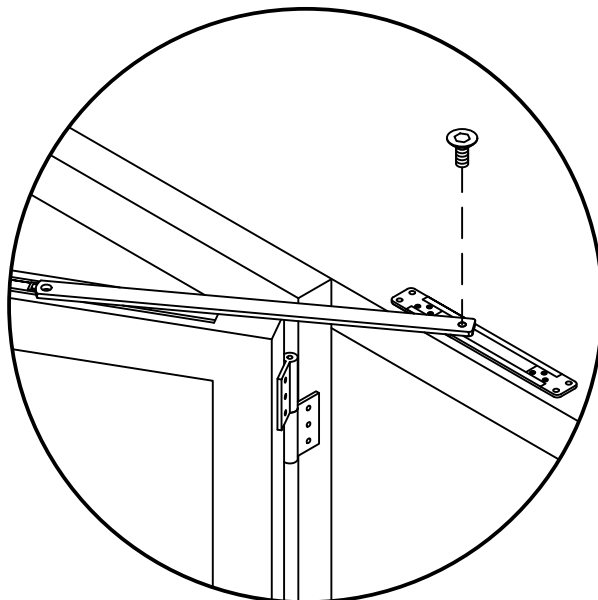
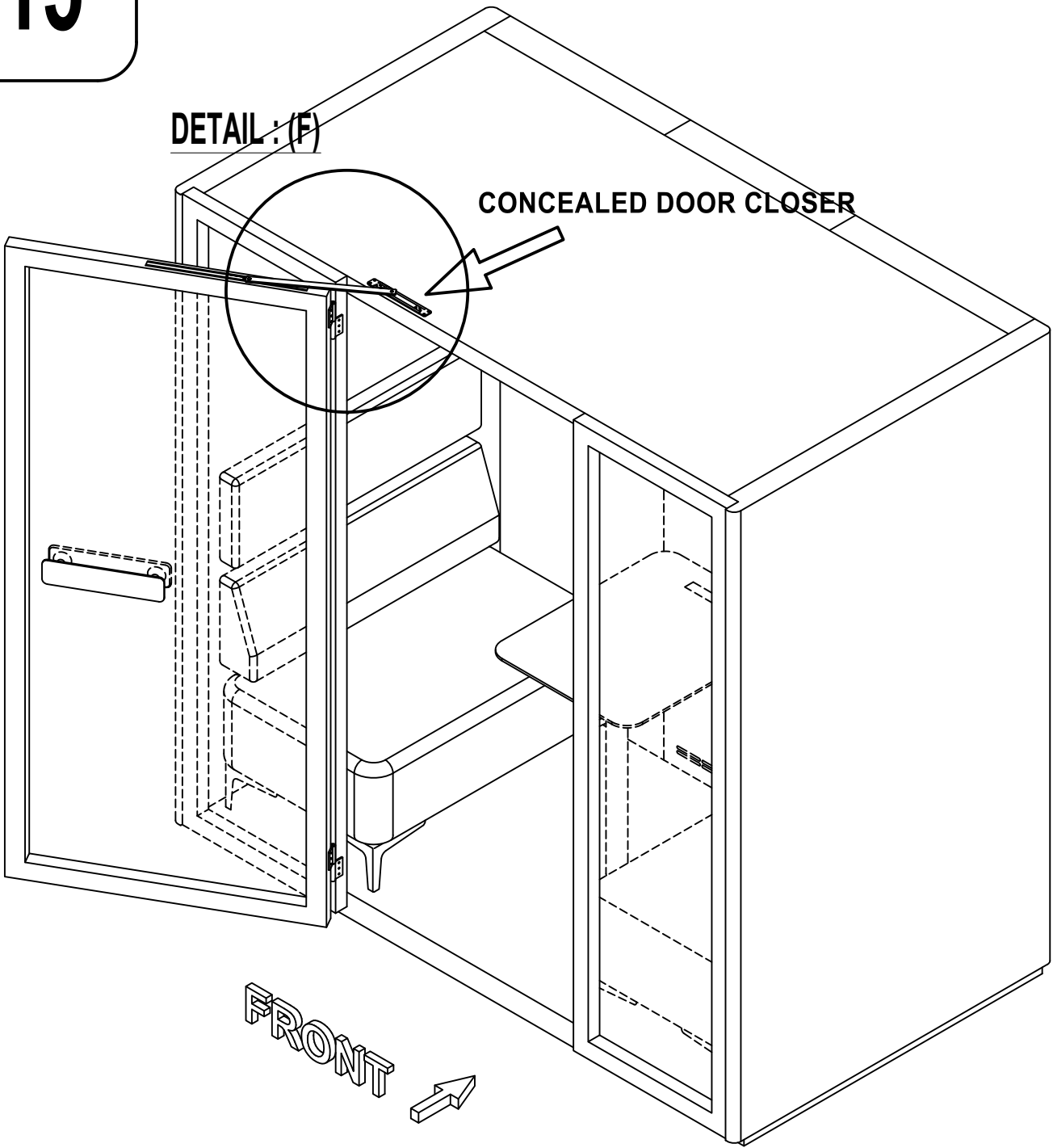
**SIDE STEP**



**S/S A2 CSK HD MC SCREW  
(m5 x 12)**

DETAIL : (F)

**CONCEALED DOOR CLOSER**



DETAIL : (F)