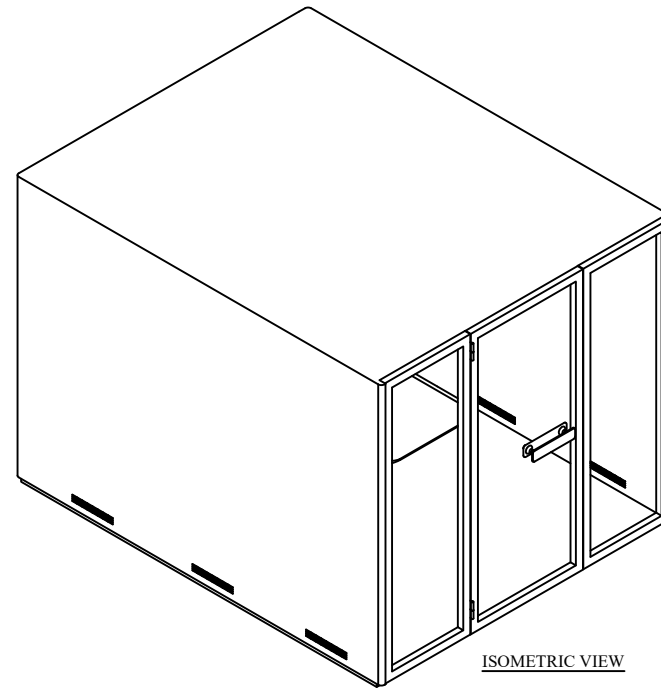
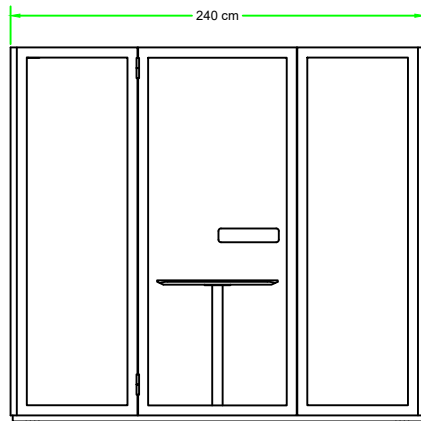


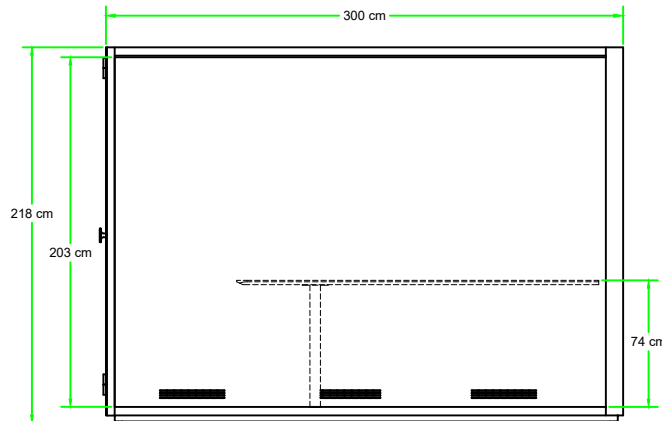
TOP VIEW



ISOMETRIC VIEW



FRONT VIEW



SIDE VIEW

INAPOD

DRAWING NAME : SERIES 2 - M POD	UNITS : MILIMETERS (mm)	:	:
DRAWING MODEL : M POD	REVISION : 1		
DESCRIPTION :			