

INAPOD

Office Pod Series

ASSEMBLY DIAGRAM

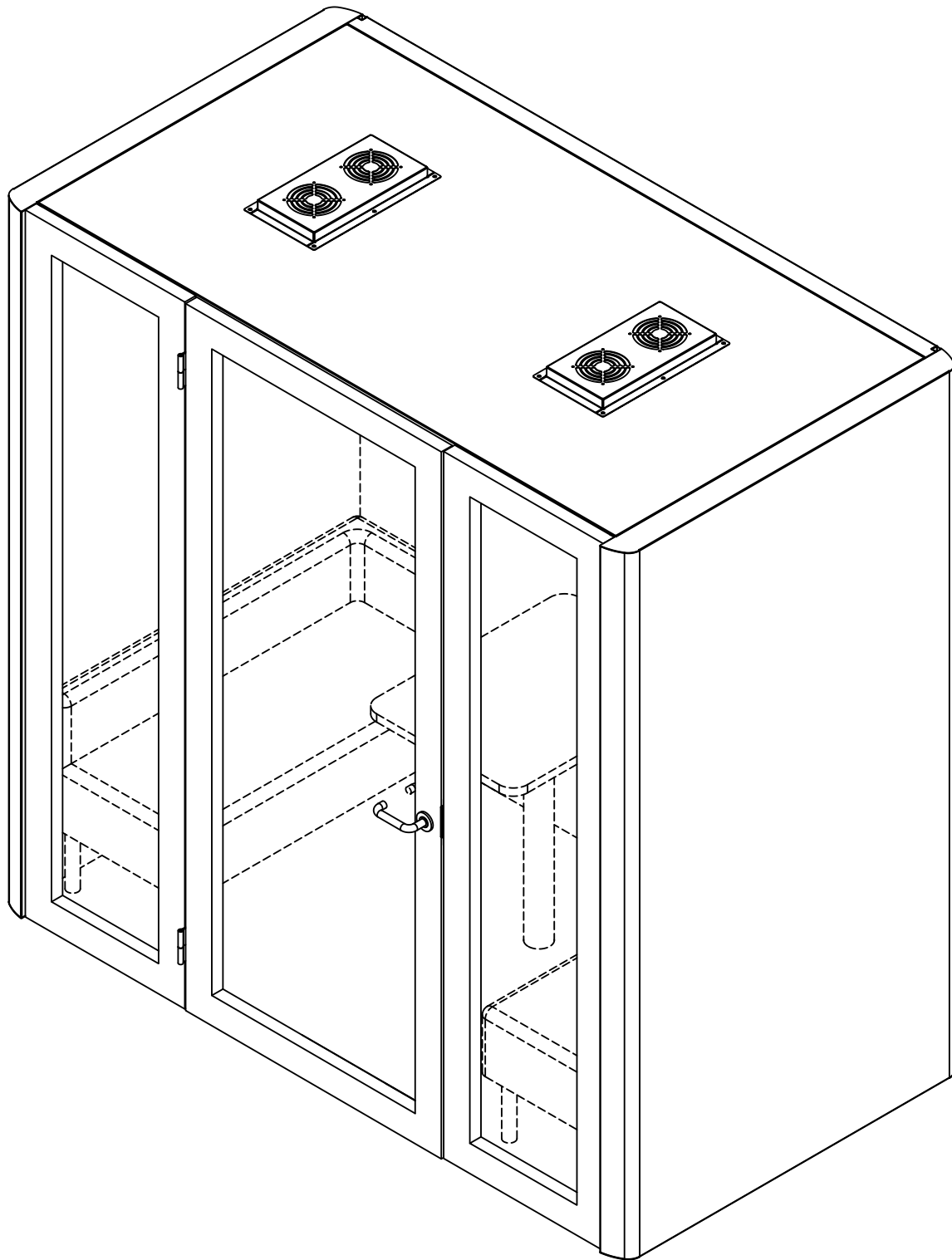


D-POD

MEETING POD
1-4 PEOPLE

INSTALLATION MANUAL

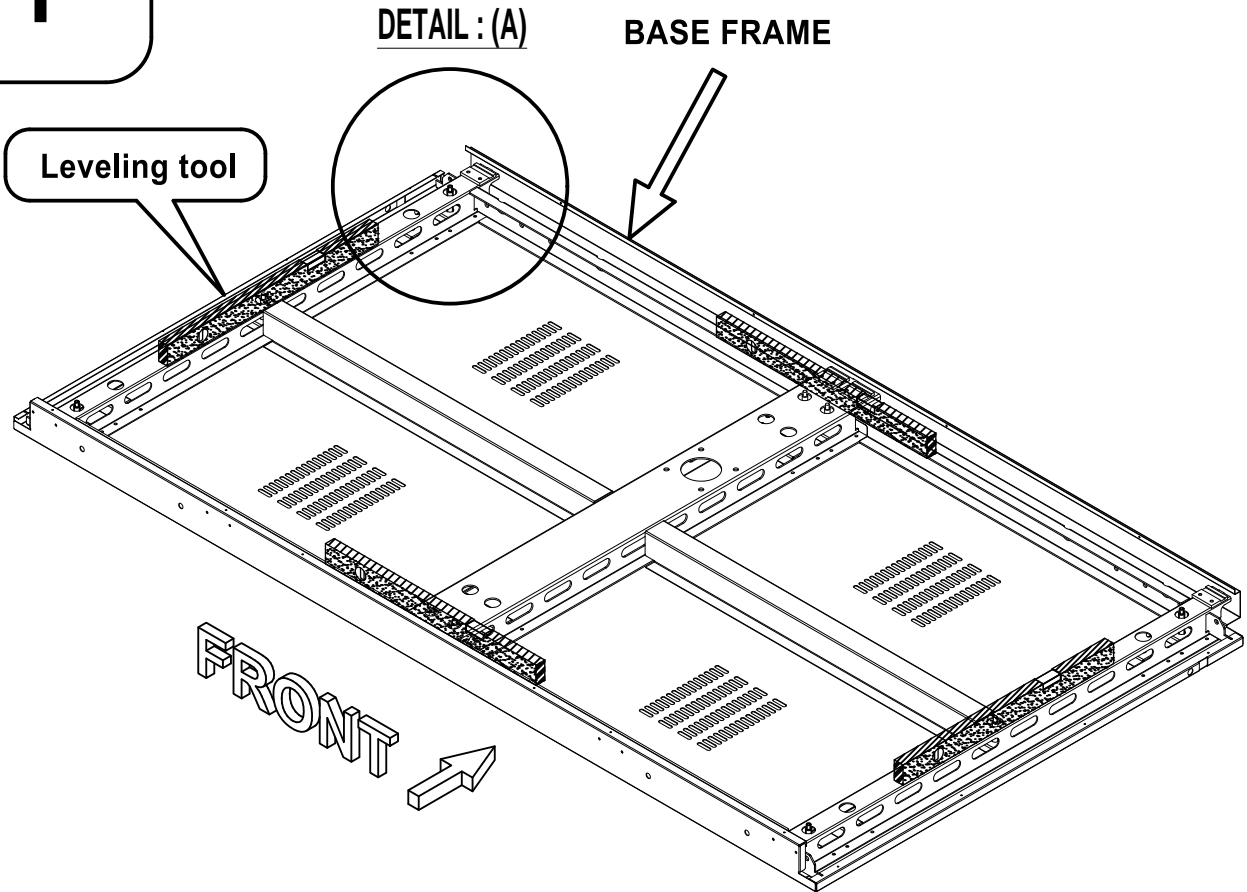
PHONE BOOTH SERIES
D POD



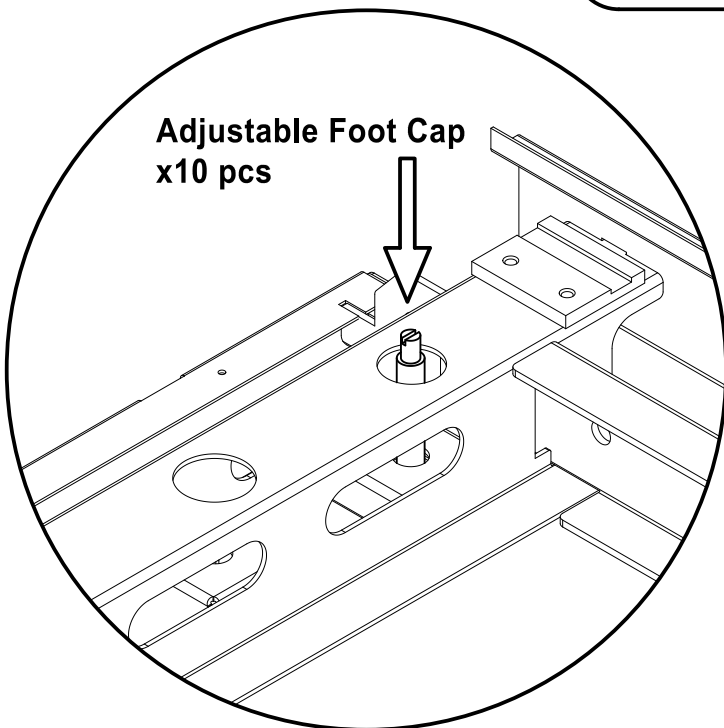
ATTENTION

Please read this instruction carefully and check all the parts before assembly.
Please be careful during the assembly to prevent hurting or damage of product.

1



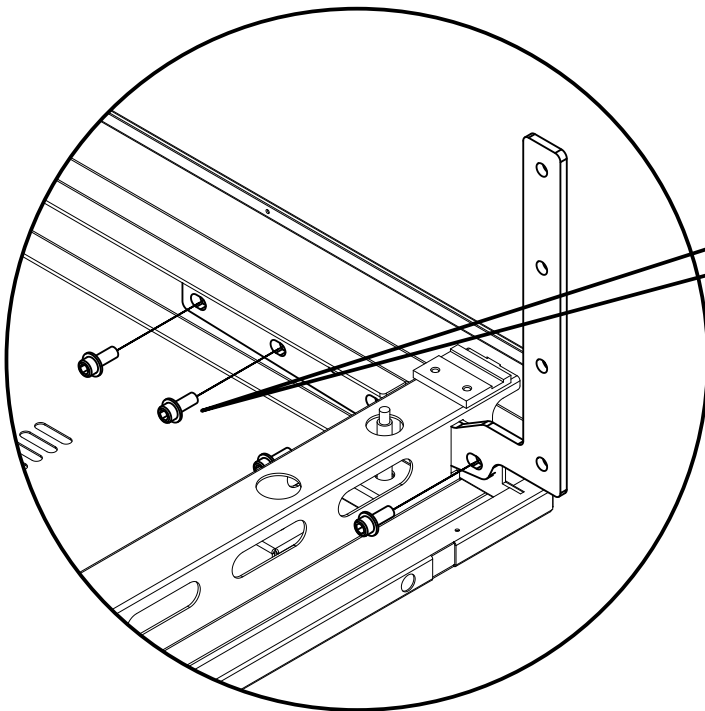
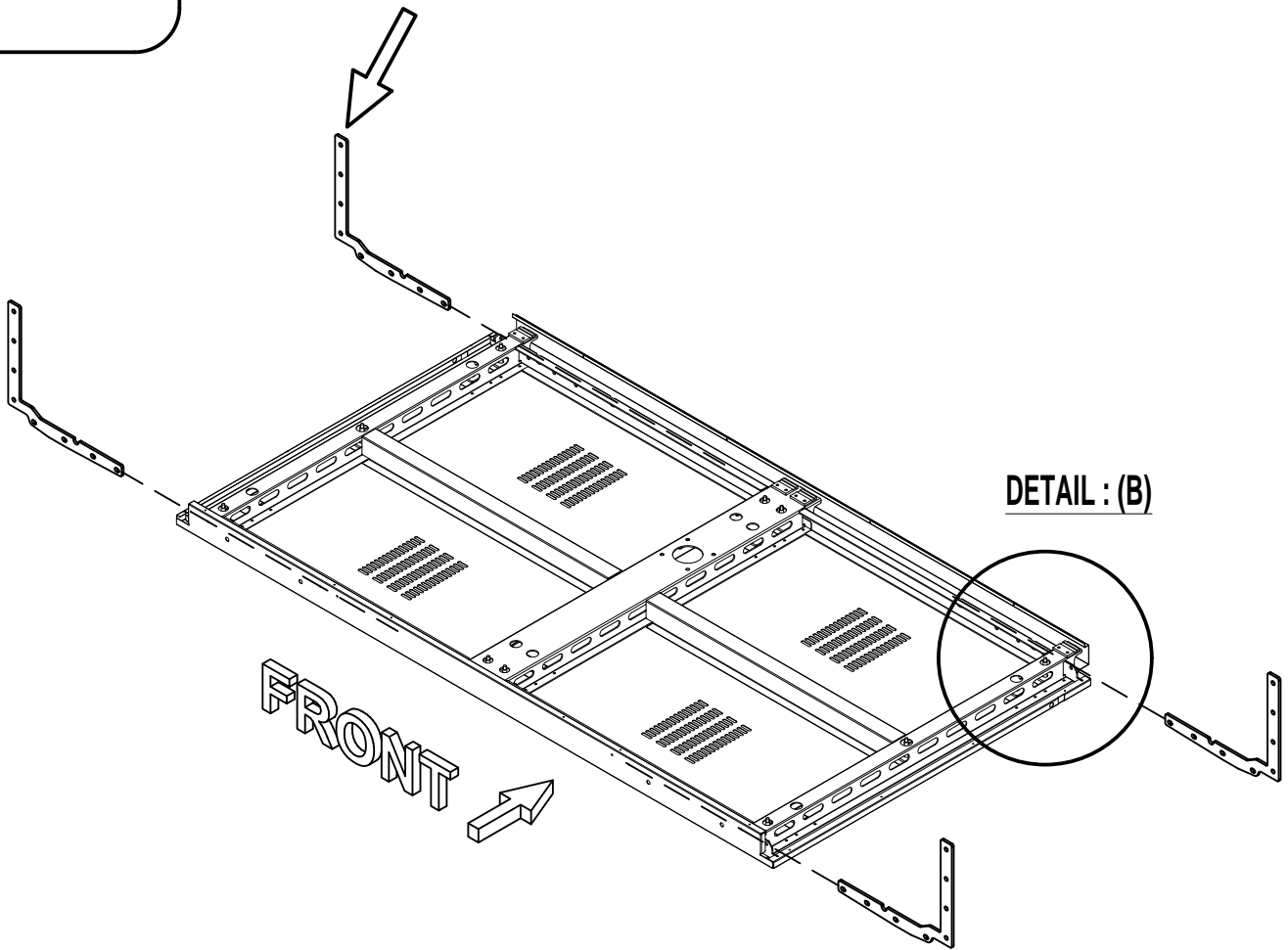
- Step 1 □ Push to final position before setting up the booth
- Step 2 □ Adjustable foot cap for leveling
- Step 3 □ Level the base before installation



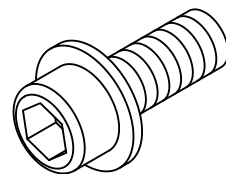
DETAIL : (A)

2

REINFORCE 'L' BRACKET



 Do not tighten

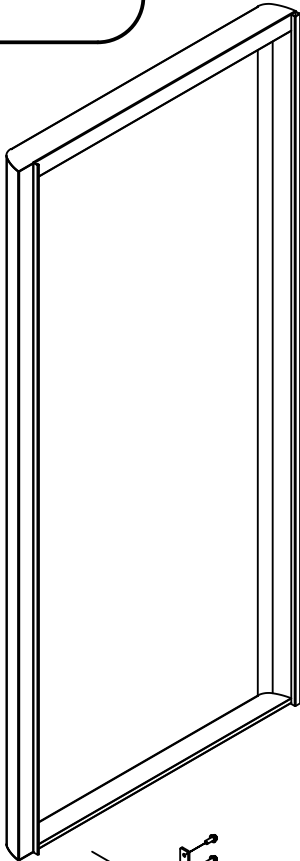
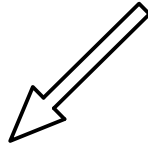


Cap screw with flat washer
(m8 x 20zp)

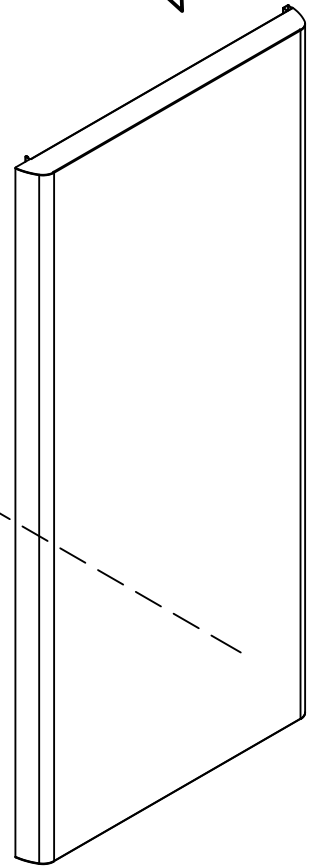
DETAIL : (B)

3

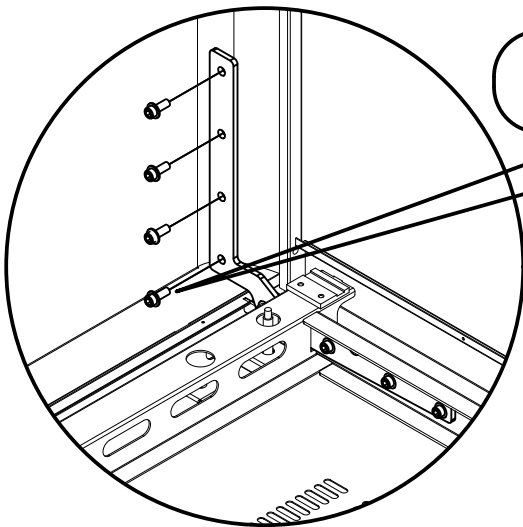
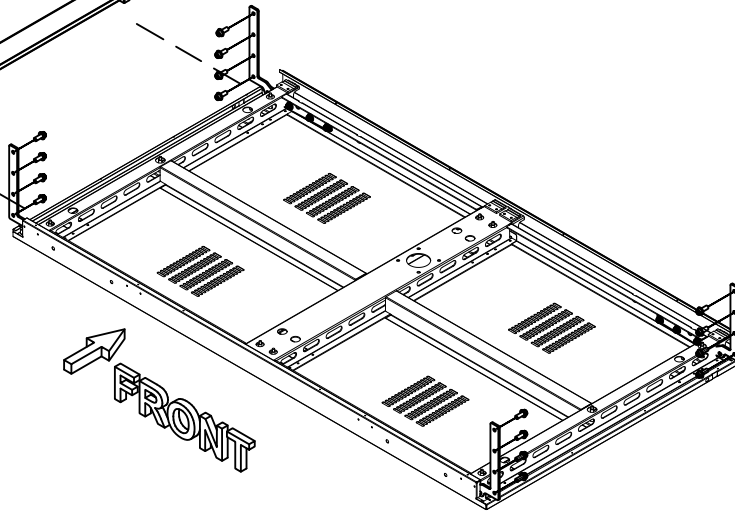
LEFT PANEL



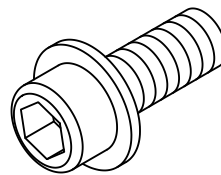
RIGHT PANEL



FRONT



 **Do not tighten**

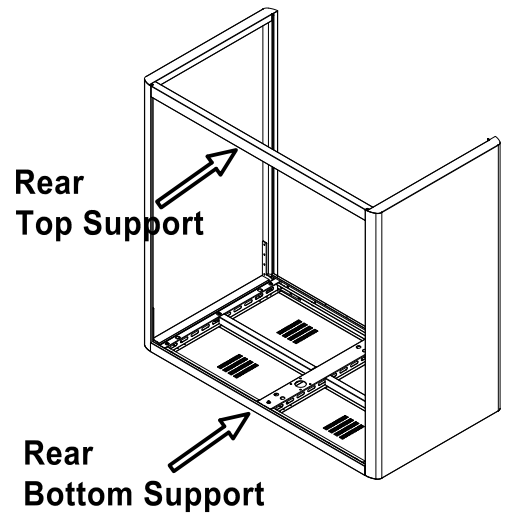


DETAIL : (C)

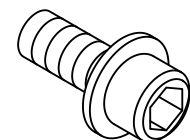
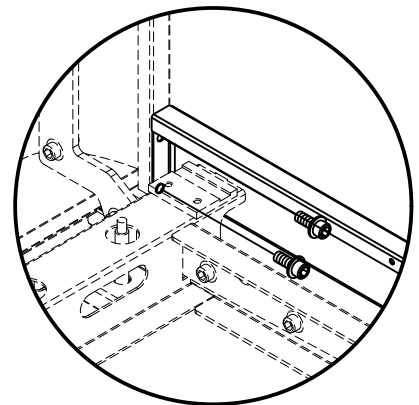
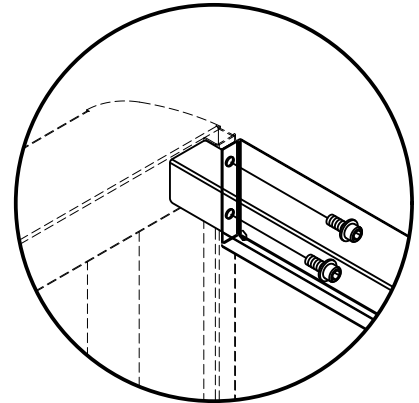
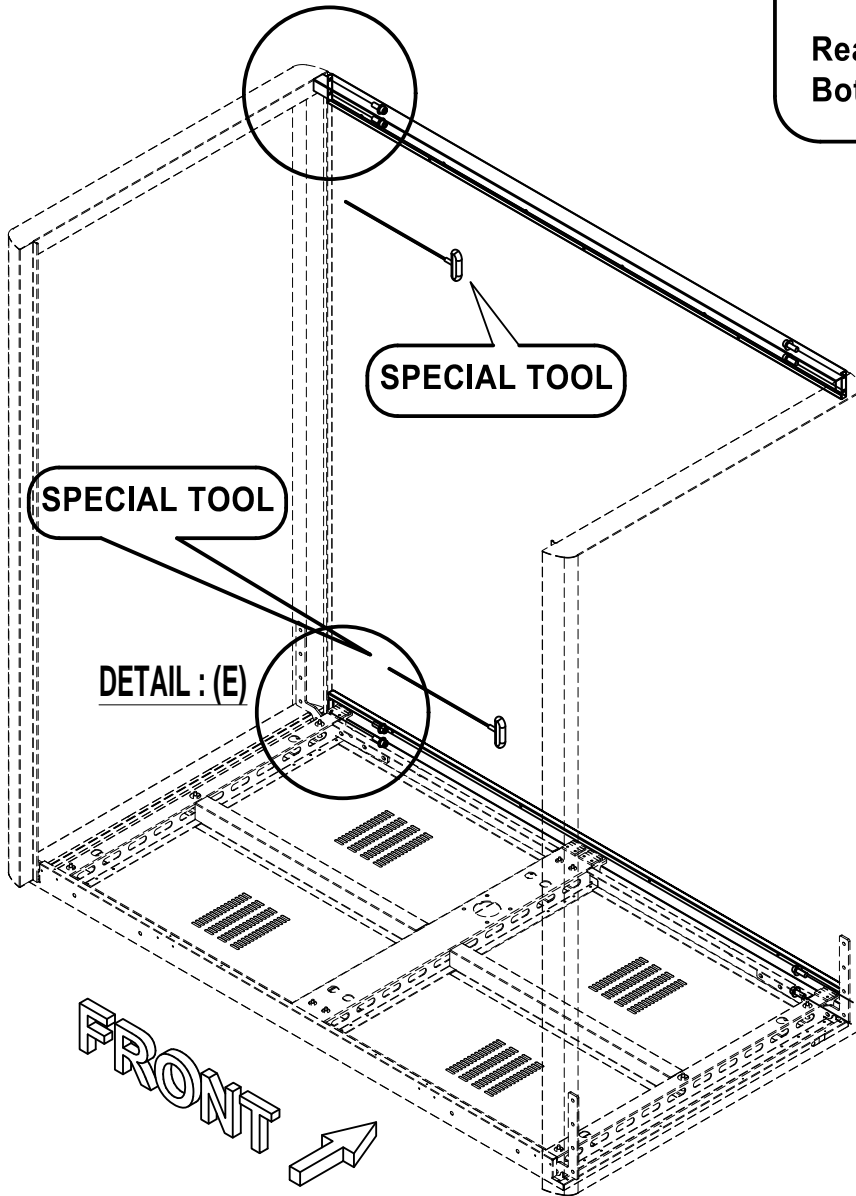
**Cap screw with flat washer
(m8 x 20zp)**

4

REAR VIEW

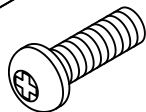
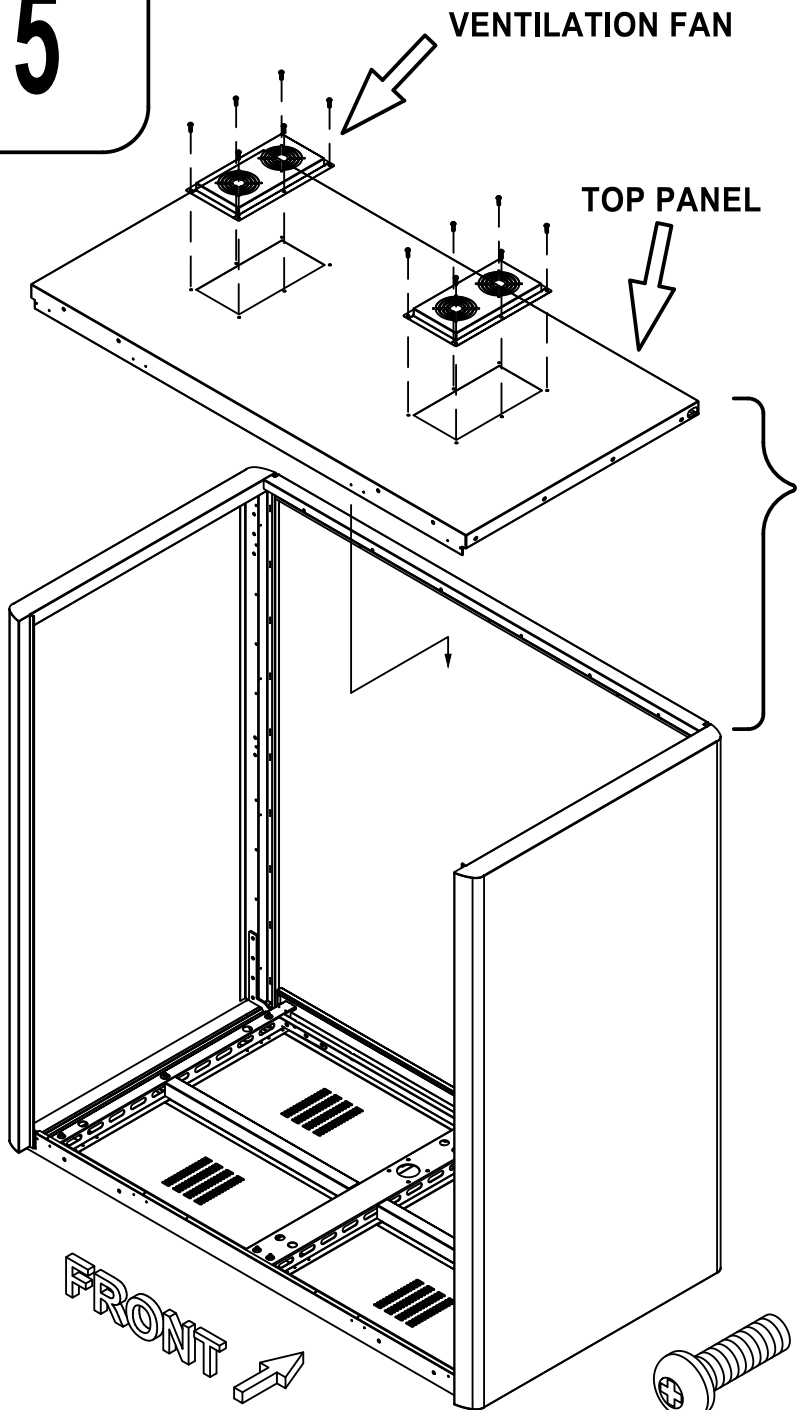


DETAIL : (D)

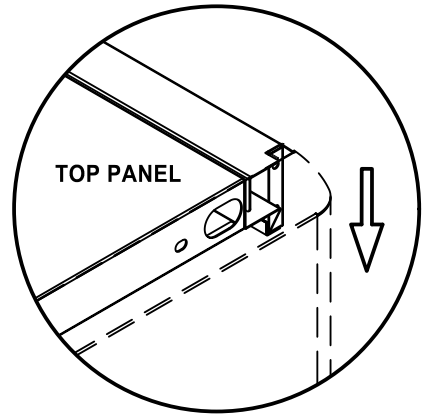
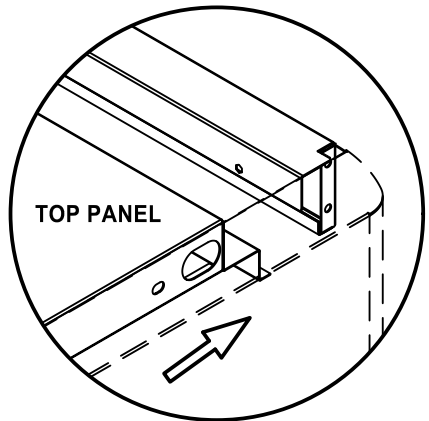
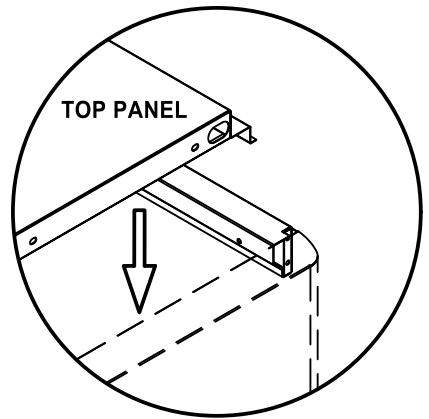


Cap screw with flat washer
(m5 x 16zp)

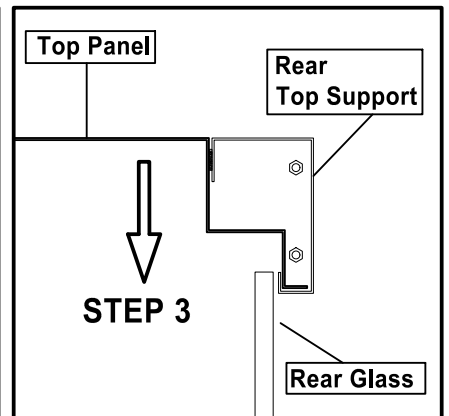
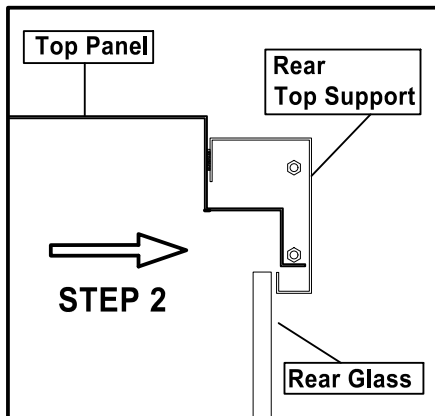
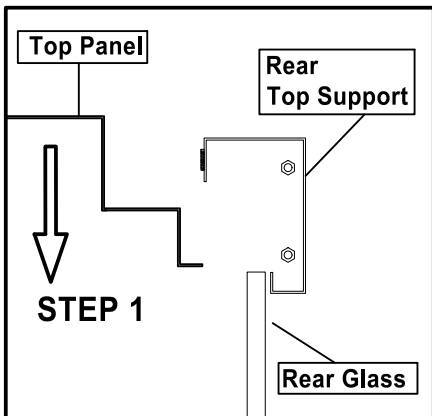
5



Pan head screw
(m4 x 12)

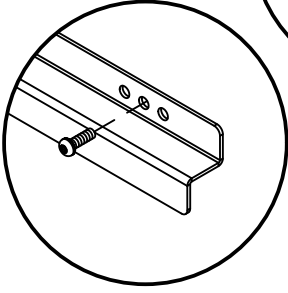
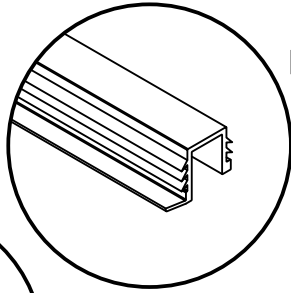


DETAILS



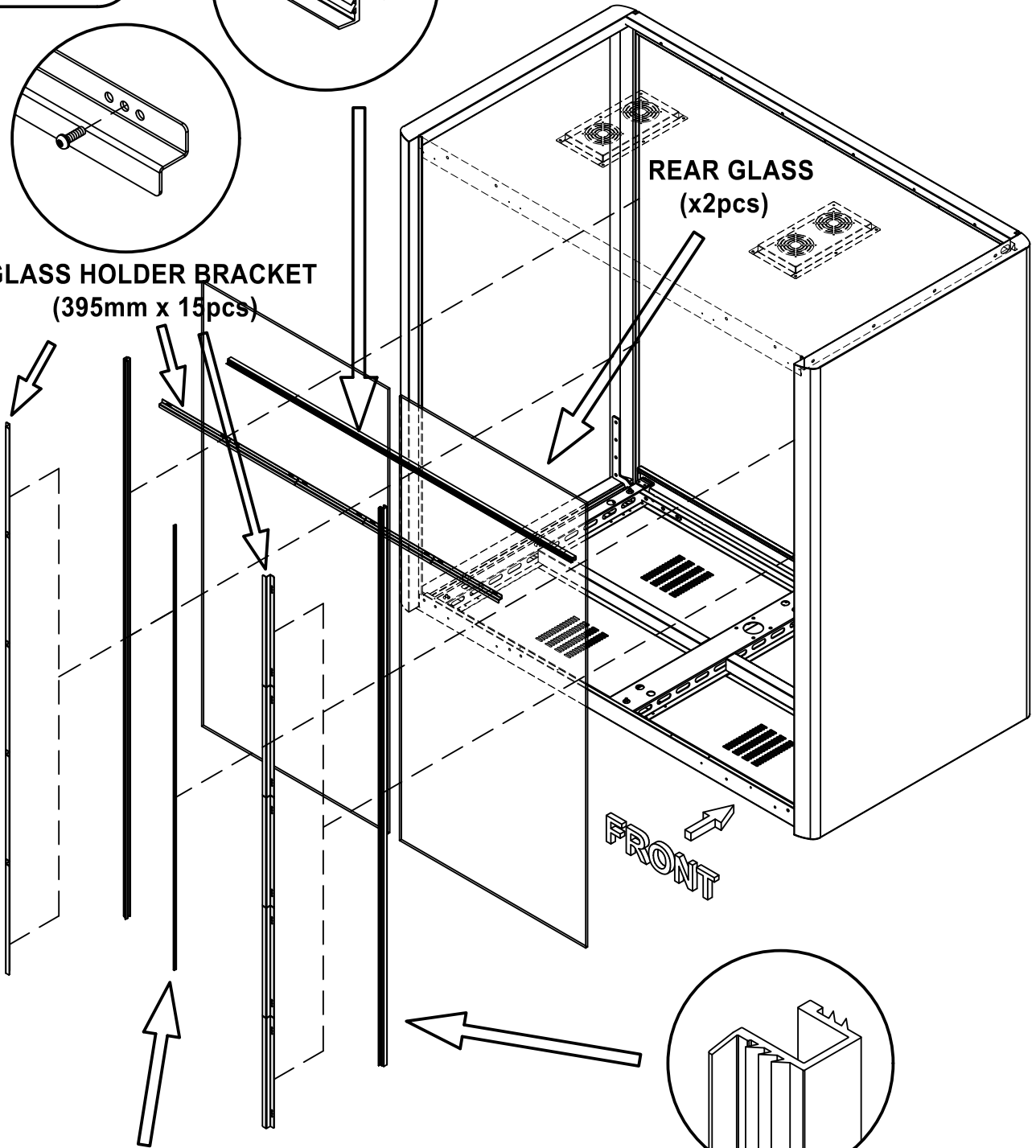
6

REAR GLASS RUBBER SEAL
(2018mm x 1pc)

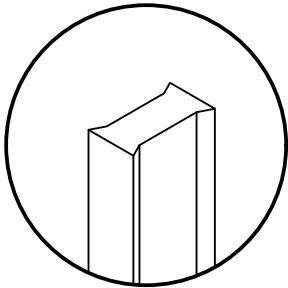
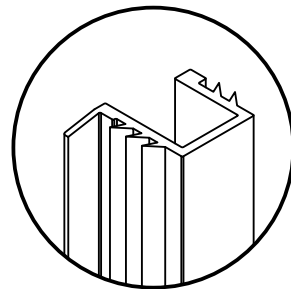


GLASS HOLDER BRACKET
(395mm x 15pcs)

REAR GLASS
(x2pcs)



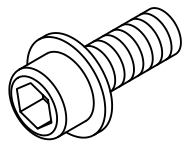
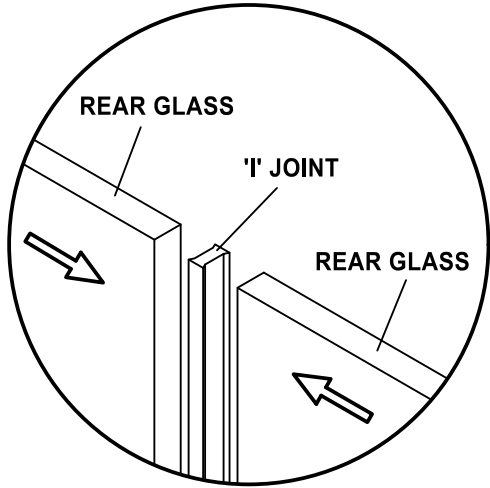
REAR GLASS RUBBER SEAL
(1990mm x 2pcs)



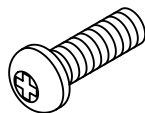
REAR GLASS 'I' JOINT
(2025mm x 1pc)

7

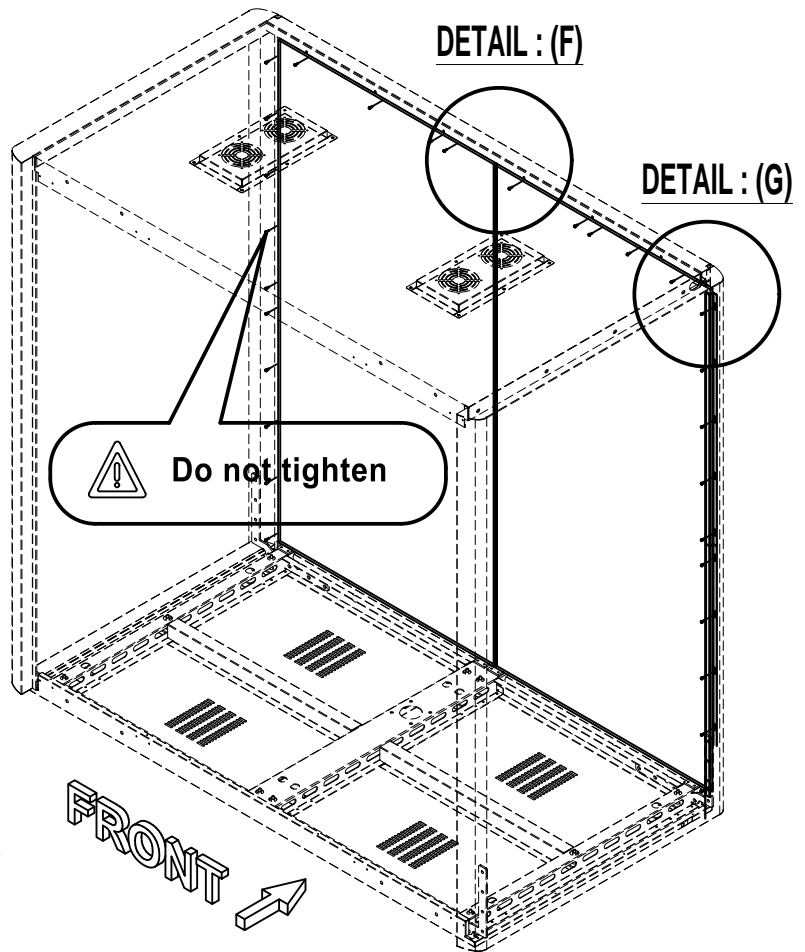
DETAIL : (F)



Cap screw
with flat washer
(m8 x 20zp)

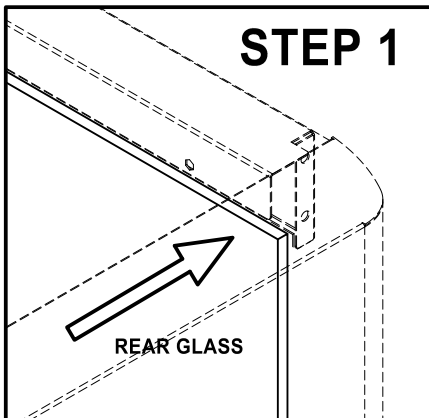


Pan head screw
(m4 x 12)

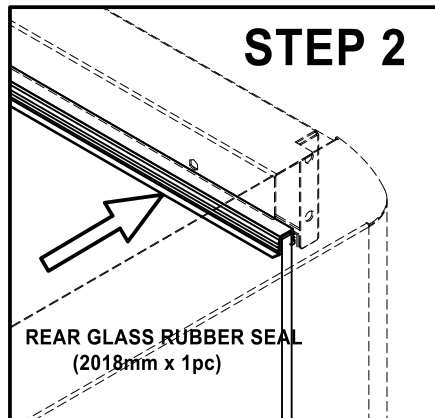


DETAIL : (G)

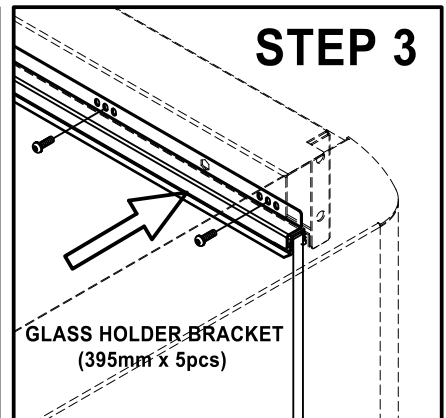
STEP 1



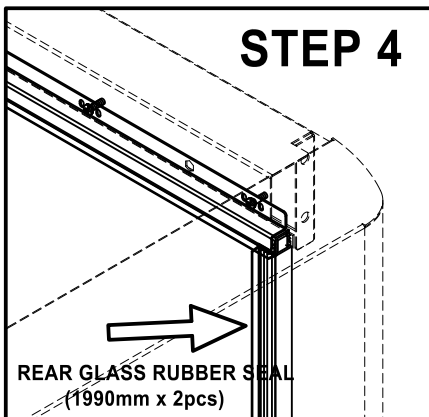
STEP 2



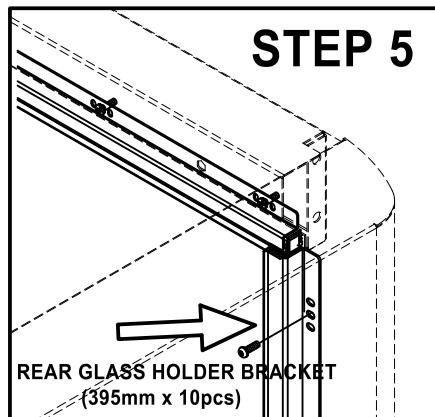
STEP 3



STEP 4

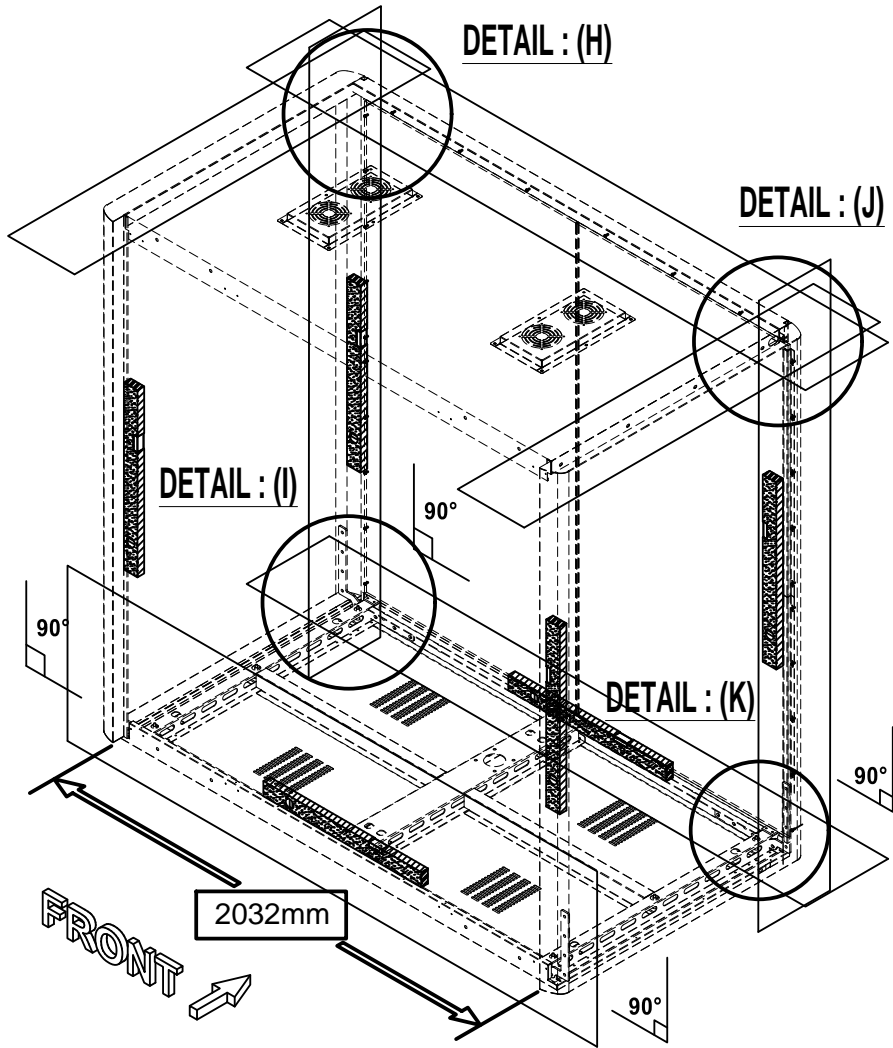


STEP 5

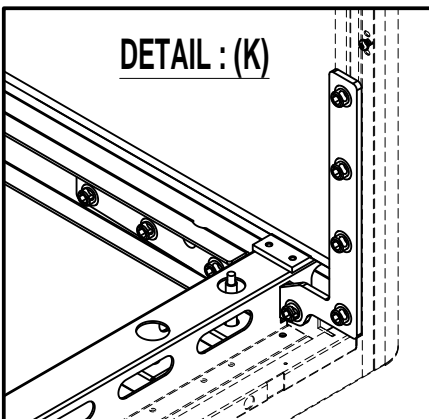
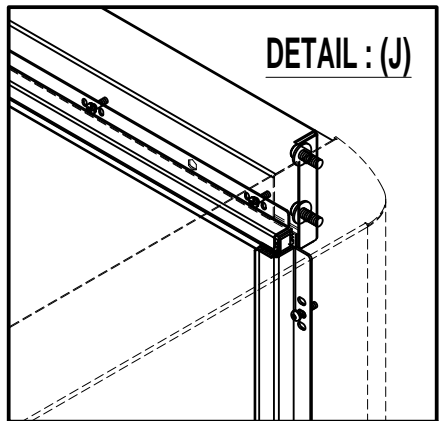
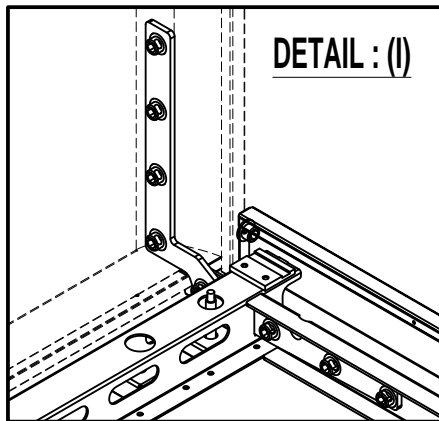
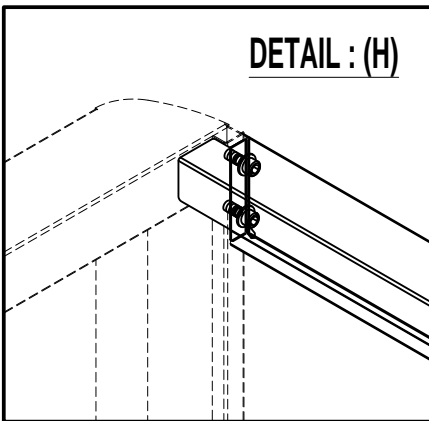


Do not tighten

8



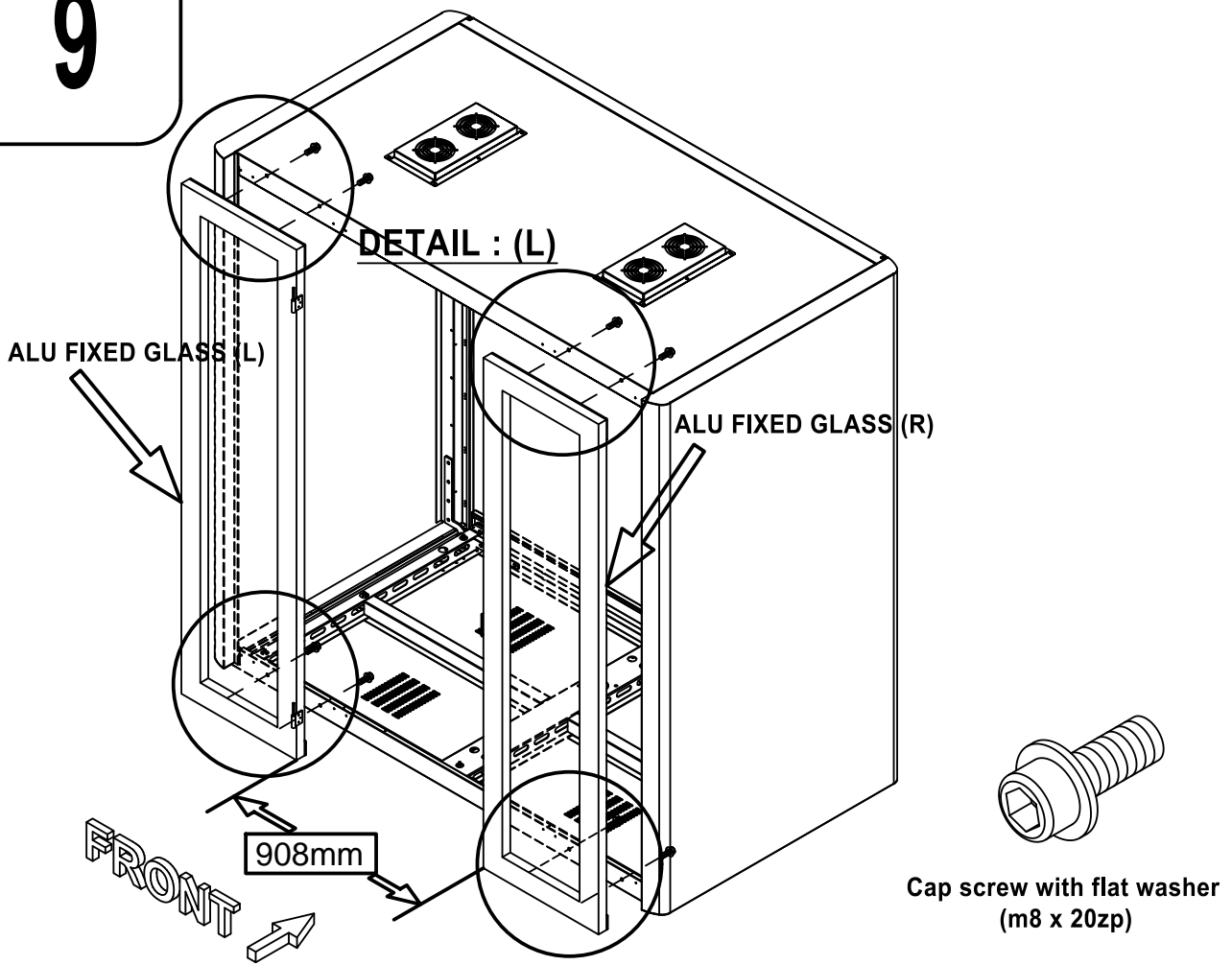
DETAIL : (H, I, J & K)



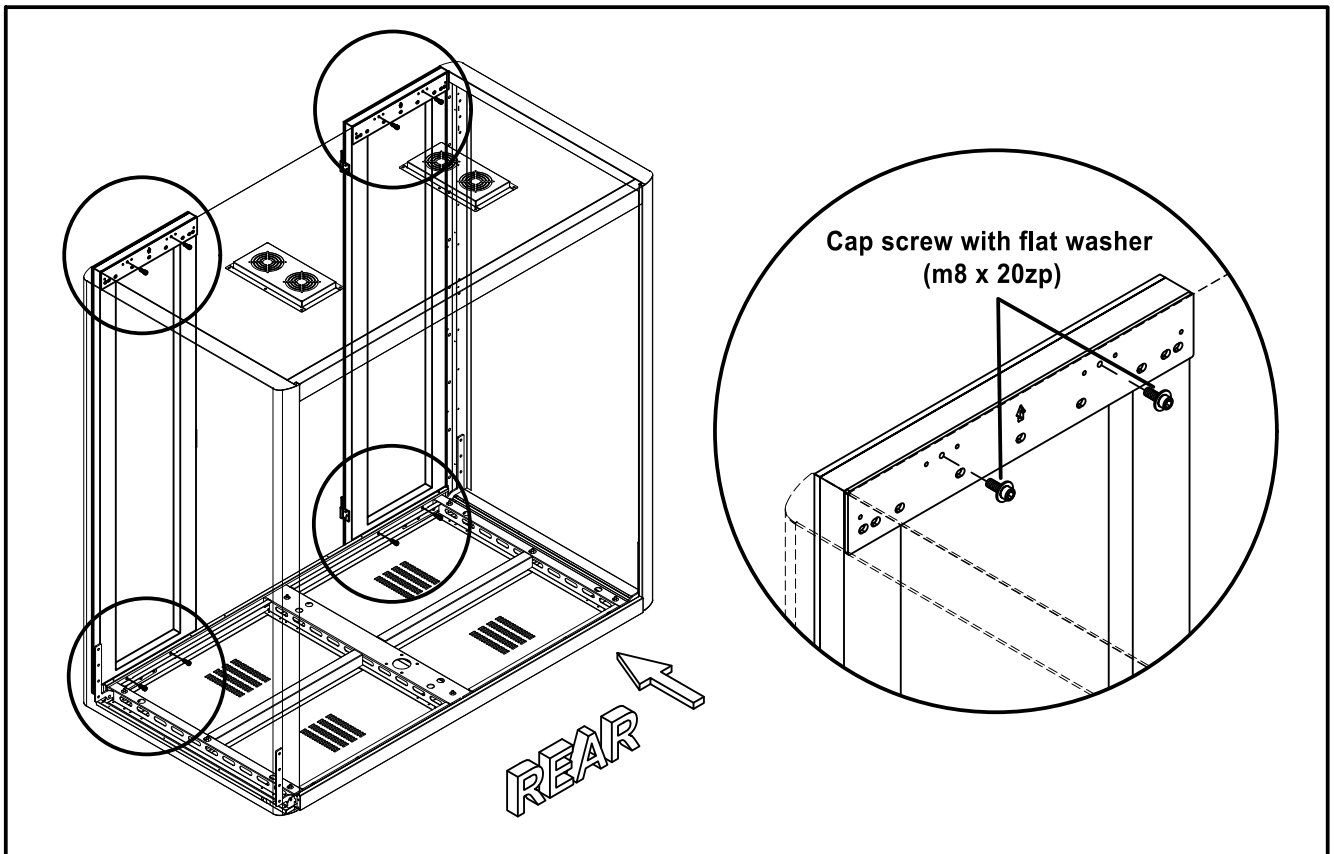
STEP 1 □ Check Leveling

STEP 2 □ Tighten all screw to ensure steady structure

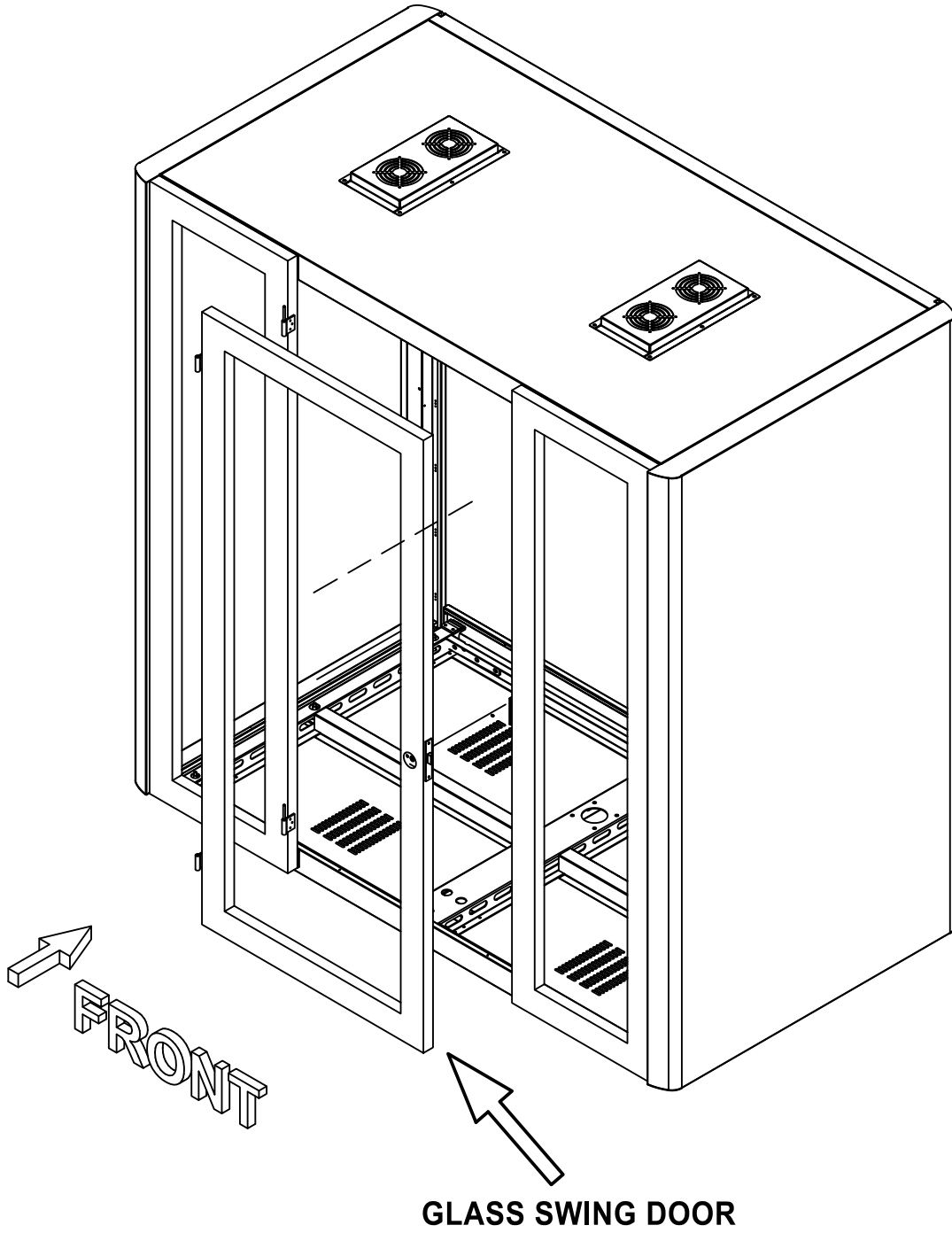
9



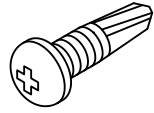
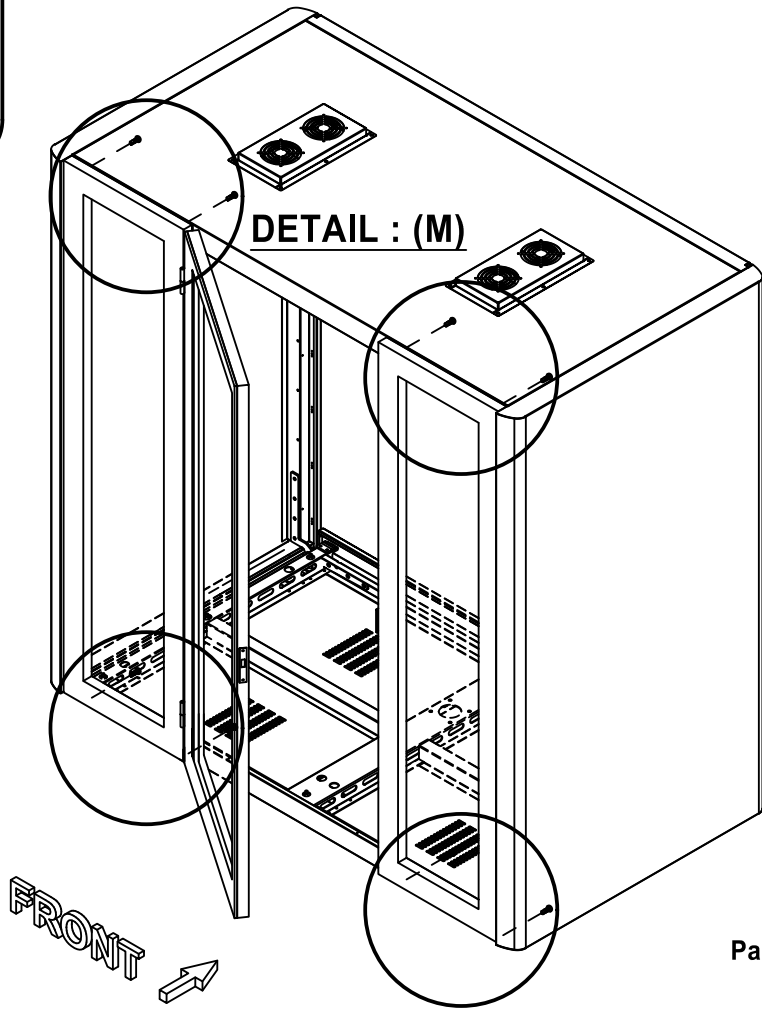
DETAIL : (L)



10

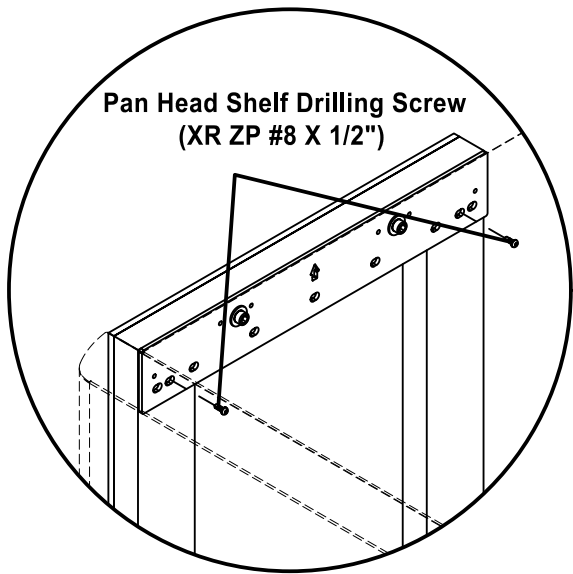
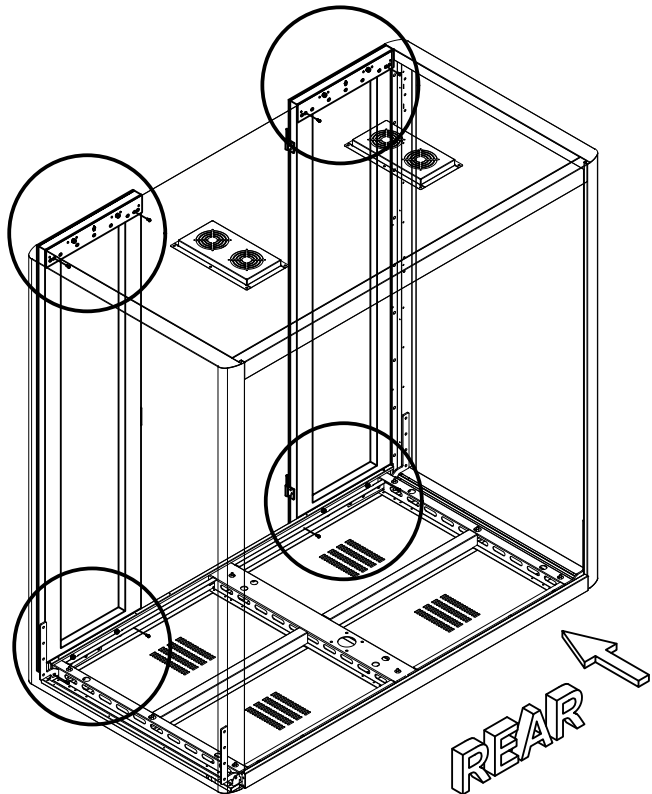


11

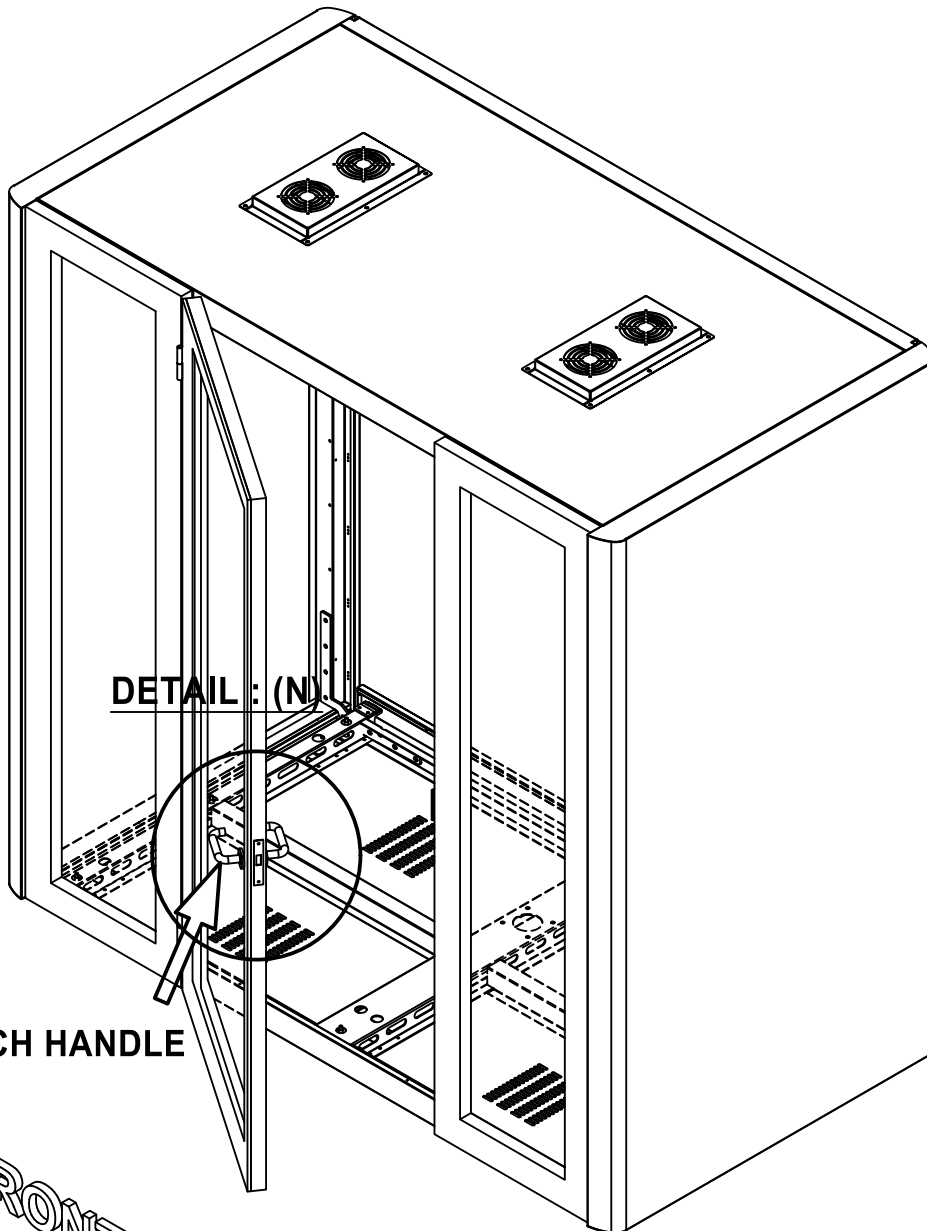


Pan Head Shelf Drilling Screw
(XR ZP #8 X 1/2")

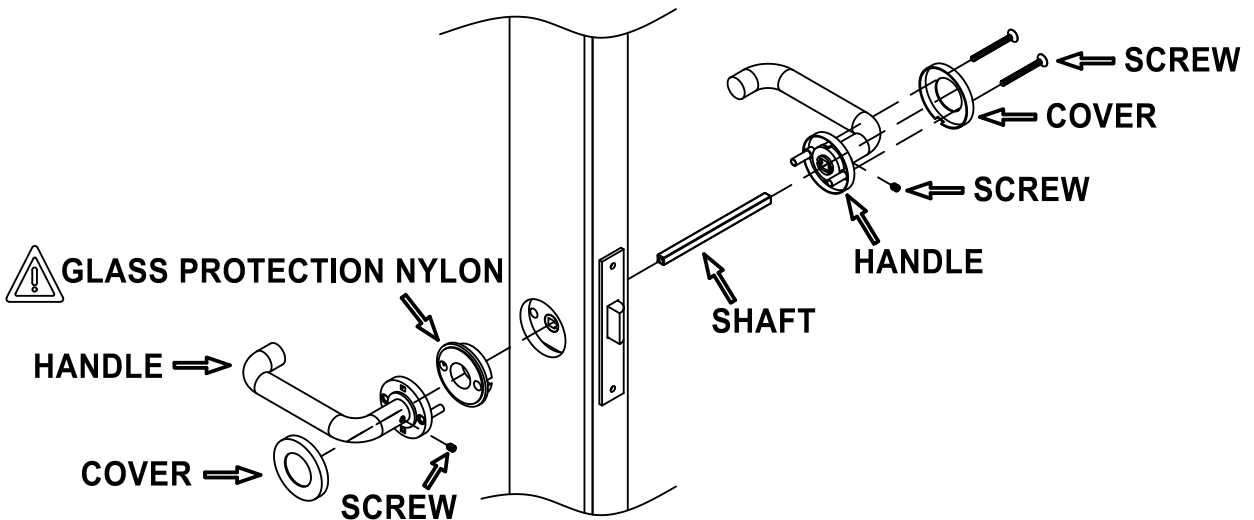
DETAIL : (M)

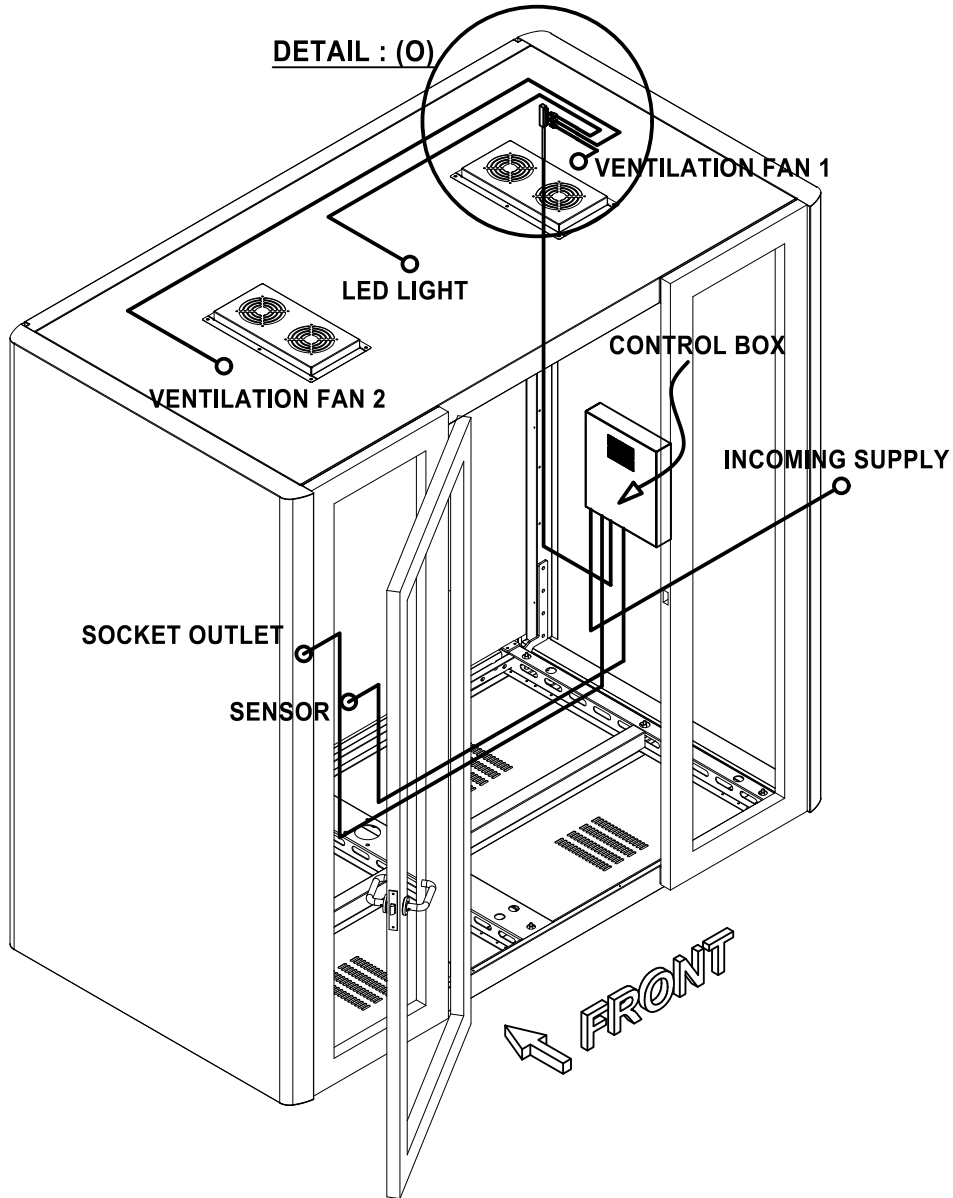


12

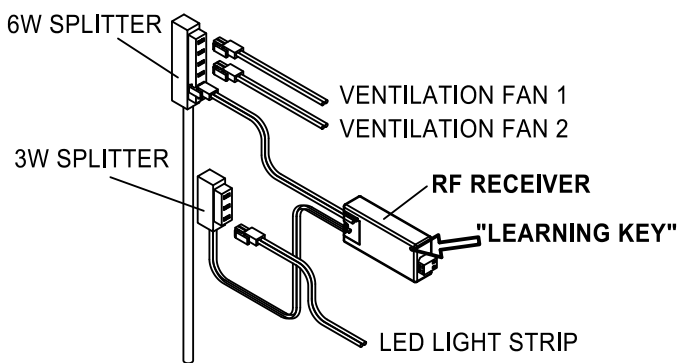


DETAIL : (N)





DETAIL : (O)



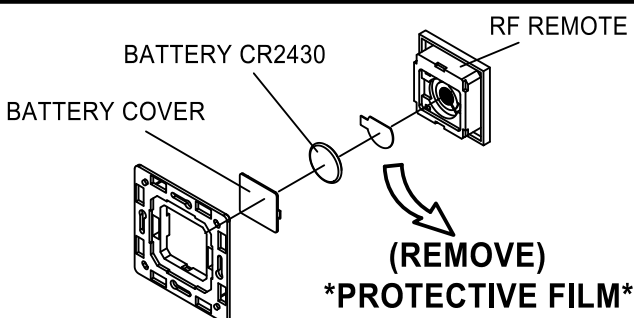
Before the first use, please open the battery cover and remove the *protective film*

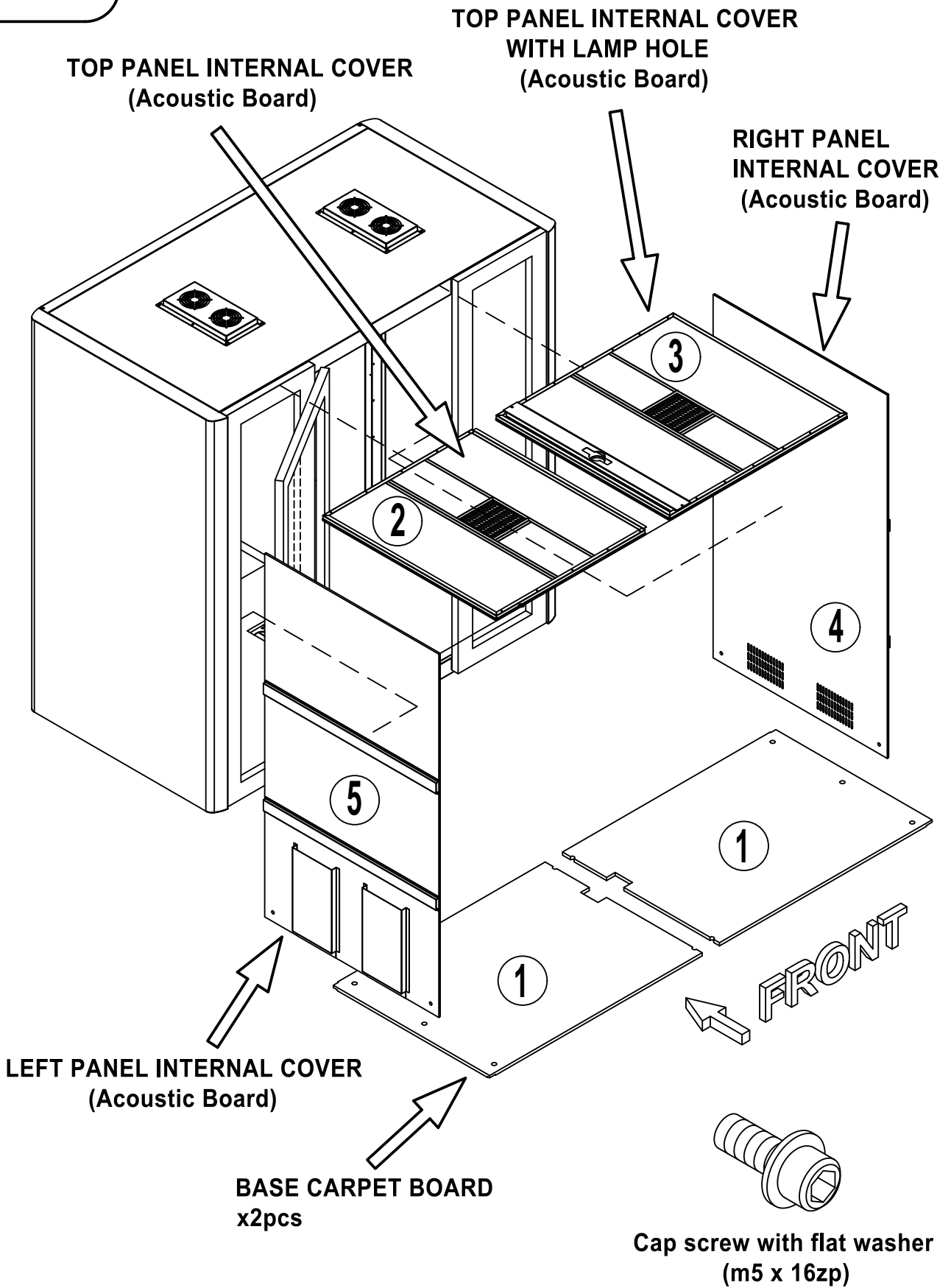
PAIR WITH RF RECEIVER

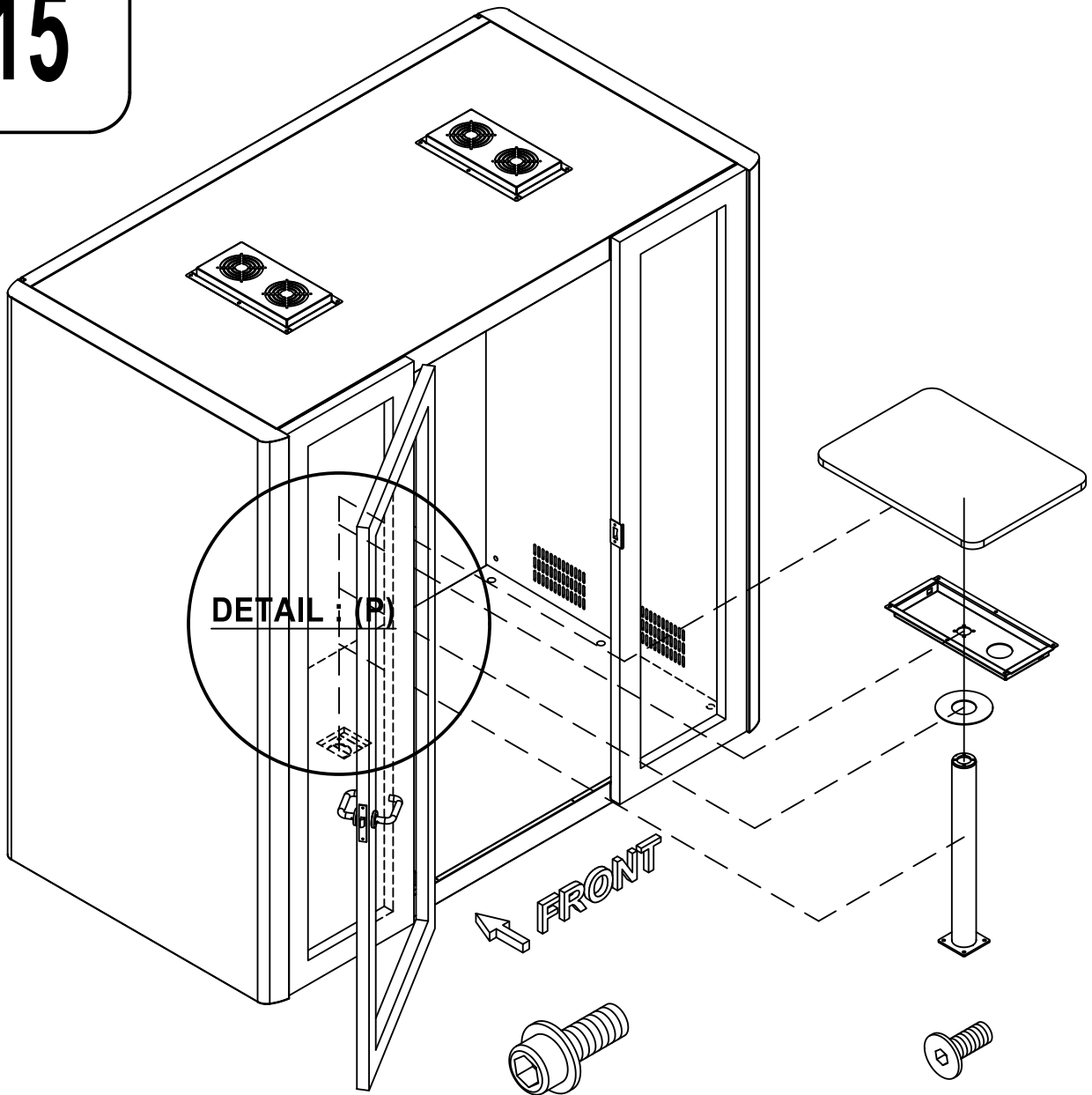
- 1- Click "learning key" on RF receiver
- 2- Click ON or OFF button on RF remote
- 3- LED lights connected with the receiver will flicker once
- 4- The receiver is paired with remote successfully

HOW TO DELETE THE PAIRING

- 1- Press and hold down "learning key" on the RF receiver for over 3 seconds until connected LED lights flicker twice, which means the pairing deleted successfully.



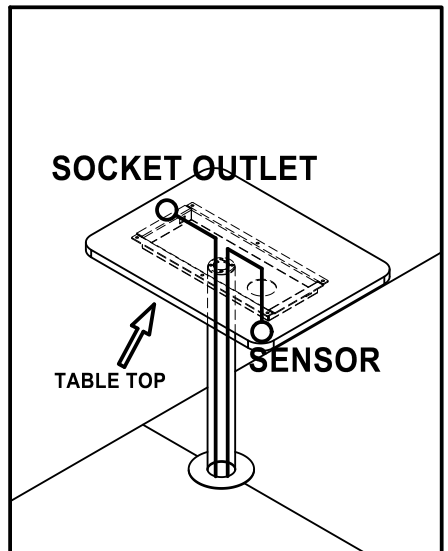
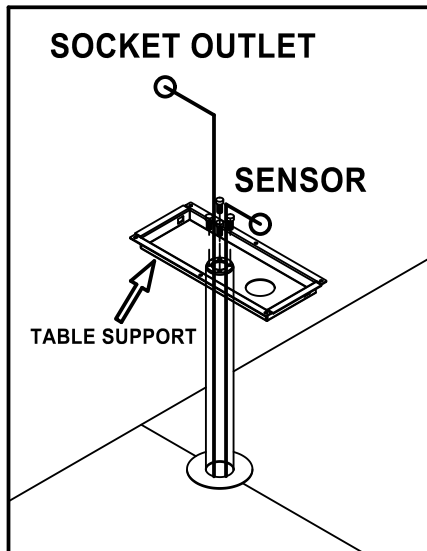
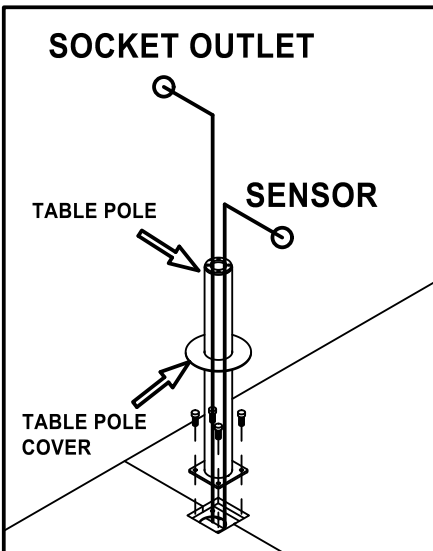




Cap screw with flat washer
(m8 x 20zp)

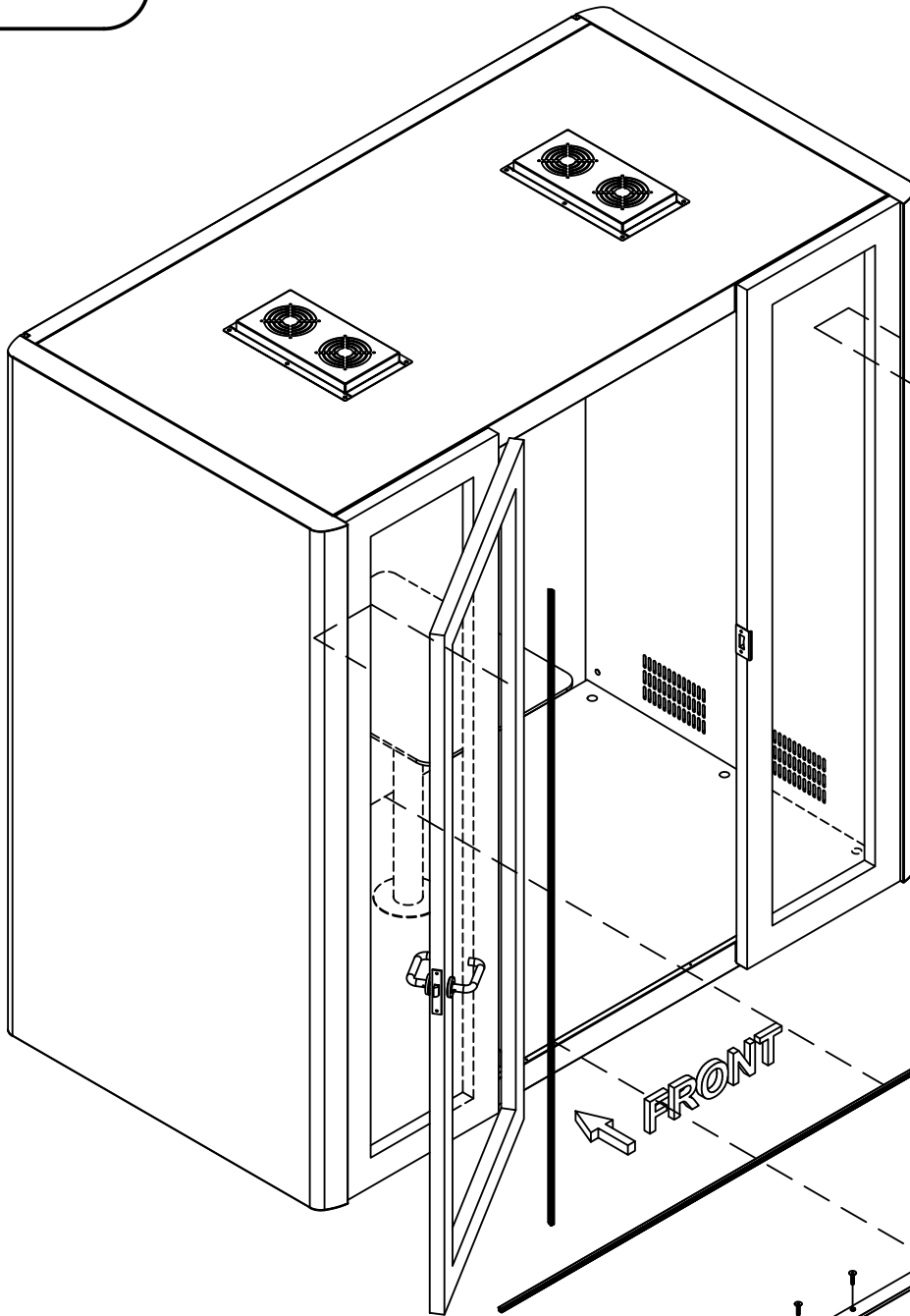
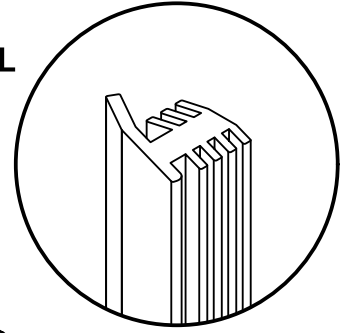
JCBC SCREW
(m6 x 16 ZP)

DETAIL : (P)



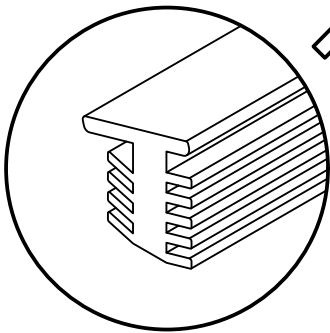
16

ALU FIXED GLASS SEAL
(2000mm x 2pcs)

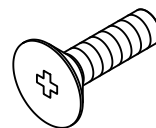


SIDE STEP

FRONT

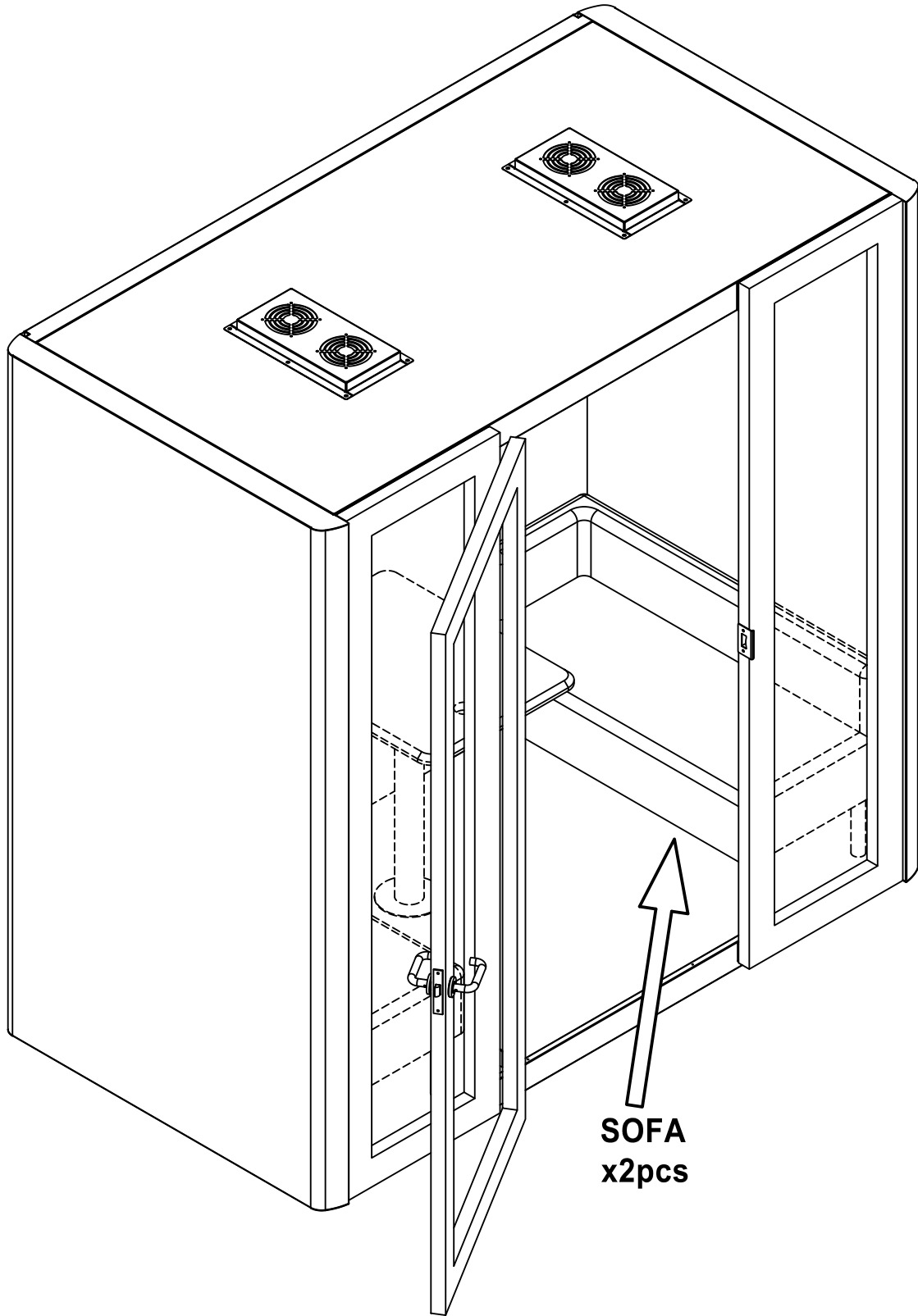


FLOOR RUBBER SEAL
(2000mm x 1pc)



S/S A2 CSK HD MC SCREW
(m5 x 12)

17



SOFA
x2pcs