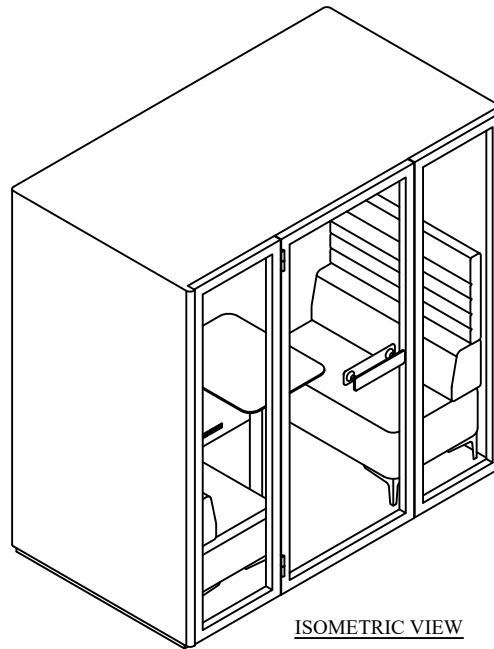
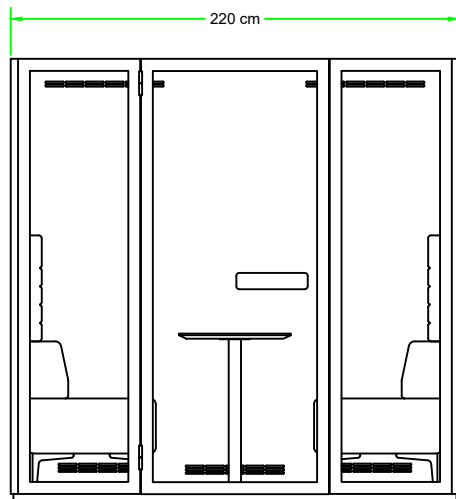


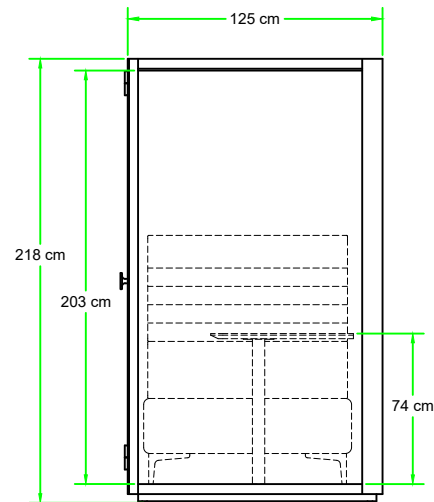
TOP VIEW



ISOMETRIC VIEW



FRONT VIEW



SIDE VIEW

# INAPOD

DRAWING NAME : SERIES 2 - D-POD

UNITS : MILIMETERS (mm)

DRAWING MODEL : D POD

REVISION : 1

DESCRIPTION :