

ARIANNE LOVE/PLUS

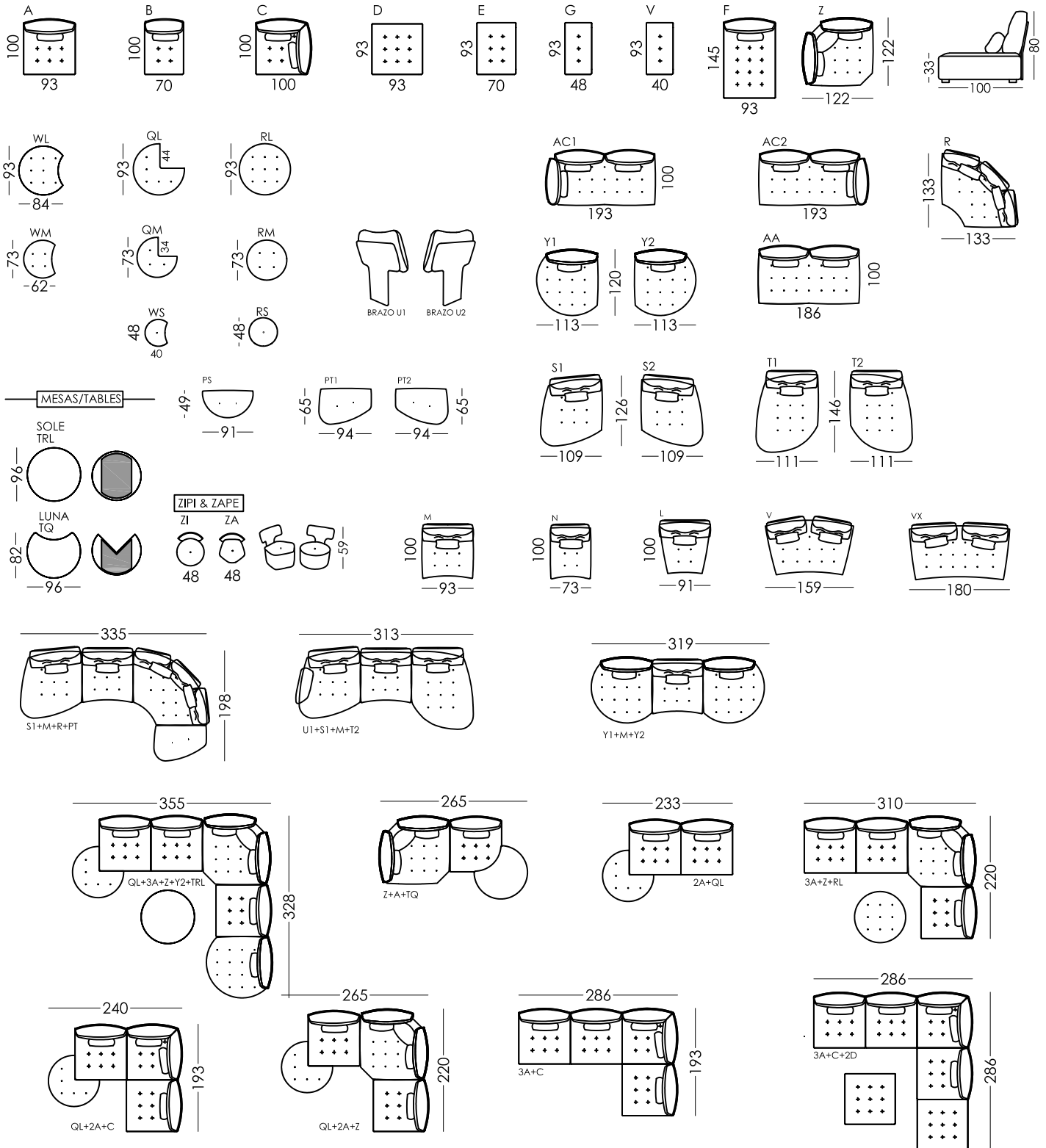
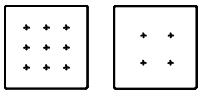
CROQUIS-SCHEMATICS

fama

RV.06

LOVE

PLUS



Es importante tener en cuenta que las medidas especificadas en catálogo, son informativas, y pueden ofrecer pequeñas diferencias.

All the measures, volumes and weights shown within this price list should be considered as informative; there may be little differences.

Les mesures indiquées dans ce tarif sont données à titre indicatif et peuvent légèrement variées en fonction de la nature des choix de tissus, de garnissage ou de finitions.

Alle Maße des Katalogs sollen nur als Information gesehen werden. Man kann kleine Unterschiede finden.



Measures

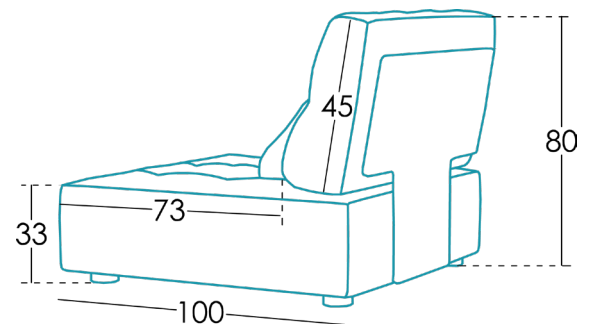
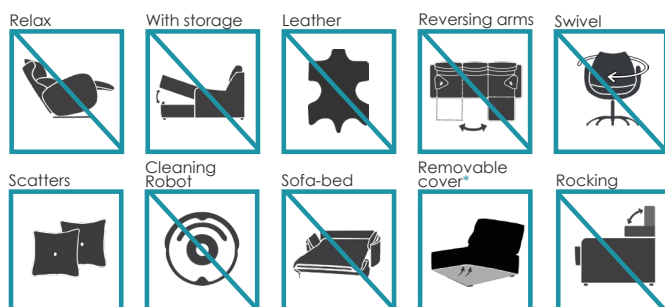
Width	x cm
Height	80 cm
Depth	100 cm
Seat height	33 cm
Arm height	- cm
Back height	45 cm
Depth when open	- cm

Technical information

Frame	Frame of pine wood and MDF
Seat suspension	N.E.A.
Back suspension	Metal back support
Seat foam	Polyurethane 35kg + fibre
Seat firmness	Medium Foam (white)
Back cushions	Fibre Fibersilk 100%
Loose cushions	Fibre Fibersilk 100%
Legs options	Plastic (3cm), wood (6cm), wood "V" (10cm), metal "W"(10)
Colours	Black, Black, Natural/ Walnut/Wengue, Chrome
Removable cover	Back support, back cushion and scatters*
Guarantee	Frame and seat suspension: lifetime warranty Rest of pieces: 2 years *12-month guaranty extension by activating it on the web

[Would you like to know more?](#)

Options



Packaging

Packaging made up of shrink wrap and edge protectors.

The packaging comes along with the design. We always optimize it, so that it takes up as little space as possible and it is easy to carry it, avoiding the use of unnecessary packing material.

Sustainability

Our design is responsible as we minimize the impact of industrial activity, optimizing the entire field of design and production.

Every Fama products are PFCs Free.

At Fama Sofas, we recycle 98% of residue and waste, following the environmental policy of our company.



ARIANNE LOVE is manufactured by Fama Sofas, whose quality system is certified by AENOR and IQNET according to the ISO 9001-2015 standards, with the certificate number ES-0790/1999. In addition to the Environmental Management Certificate according to ISO 14001-2019.

All models have passed the tests required for granting the quality control label from Aidima-Cetem laboratories.



ISO 9001



FAMA SOFAS S.L.U.

C/ Dr. Jiménez Díaz s/n - P.O.Box 41
30510 YECLA (Murcia) SPAIN

Tel: 968751050 / info@fama.es / www.fama.es