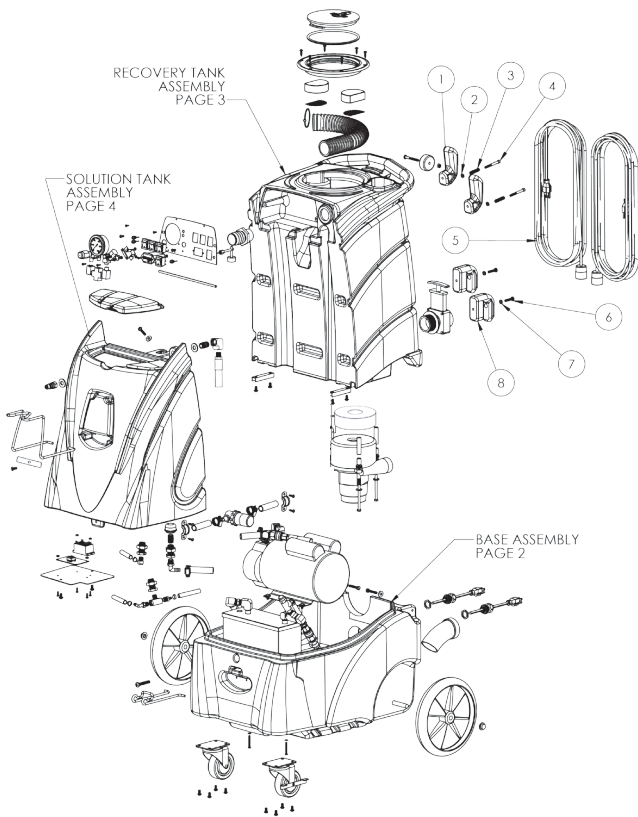


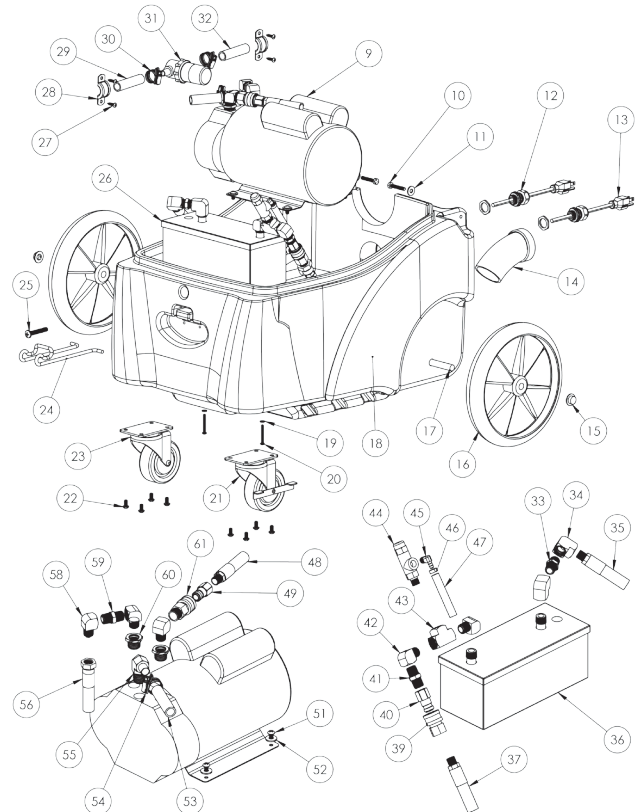
12 Gallon Extractor

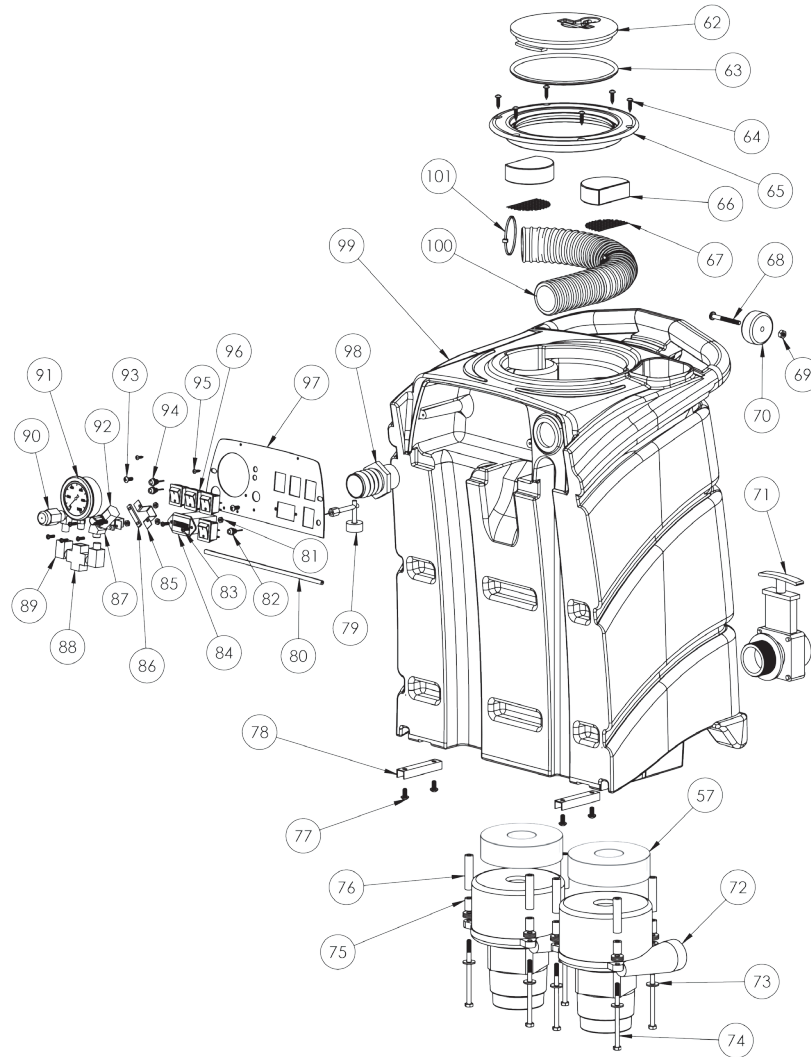
500 PSI with Heat



30	150-0013	3/4" Hose Clamp
31	500-0031	Inline Strainer for Extractor
32	201-0021	1/2" Inlet Hose from Strainer to 500 psi Pump - 6" long
33	300-0003	1/4" Inline Check Valve
34	300-0009	1/4" Female Brass 90° Elbow
35	200-0016	15" overall length 1/4"mpt x 1/4"ft - Pulse Hose
36	351-0002	Complete Heater Assembly For 12 Gallon Extractor
37	200-0017	51" overall length 1/4"mpt x 1/4"mpt - Pulse Hose
39	300-0026	1/4" Straight thru Female QD with 1/4" NPT female thread
40	300-0027	1/4" Straight thru Male QD with 1/4" NPT female thread
41	300-0031	1/4" x 1-1/2" Pipe Nipple
42	300-0021	1/4" Brass Street Elbow
43	300-0010	1/4" Brass Tee FNPT
44	350-0010	1/4" 700psi Side Relief Valve
45	300-0005	1/4" Hose Barb x 1/4" MNPT 90 Degree Brass
46	150-0012	Oetiker Clamp #140
47	201-0020	1/4" Red Hose from Extractor Heater to Solution Tank - 33-1/4" long
48	200-0018	46" overall length 1/4"mpt x 1/4"mpt - Pulse Hose
49	300-0027	1/4" Straight thru Male QD with 1/4" NPT female thread
51	100-0046	1/4-20 x 1/2 PHP Machine Screw Plated
52	100-0041	5/16 SAE Flat Washer Stainless Black zinc (MS15795-812)
53	201-0021	1/2" Inlet Hose from Strainer to 500 psi Pump - 6" long
54	150-0013	3/4" Hose Clamp
55	300-0042	1/2" Barb x 3/8" MPT 90° Elbow
56	200-0016	15" overall length 1/4"mpt x 1/4"ft - Pulse Hose
57	650-0011	Extractor Motor Spacer
58	300-0021	1/4" Brass Street Elbow
59	300-0032	1/4" Hex Nipple
60	300-0036	3/8"NPT M x 1/4"NPT F Reducer Bushing
61	300-0026	1/4" Straight thru Female QD with 1/4" NPT female thread

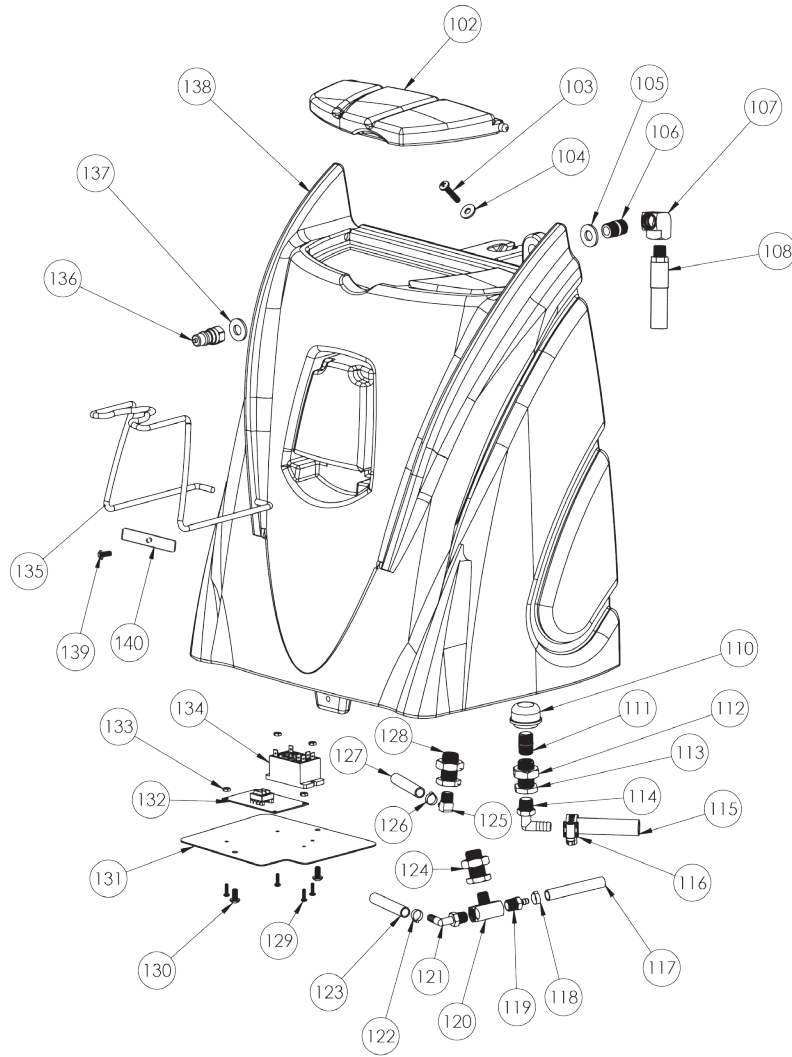
#	Part Number	Description
1	700-EXT12CSG	12 Gallon Extractor Cord Wrap Cleat Set - Black
2	100-0054	1/4" Washer for Extractor Cord Wrap
3	100-0055	Spring for Cord Wrap
4	100-0060	Screw for Upper Cord Wrap in Extractor
5	400-0030	Extension Cord for Extractor
6	100-0049	1/4-20 x 1" Screw
7	100-0054	1/4" Washer for Extractor Cord Wrap
8	700-EXT12CSBLK	12 Gallon Extractor Cord Wrap Cleat Set - Black
9	500-0022/ 500-0048	500psi AC Motor Pump/ 500psi DC Motor Pump
10	100-0042	5/16 x 1-1/2 Bolt - Extractor Hinge
11	100-0041	5/16 SAE Flat Washer Stainless Black zinc (MS15795-812)
12	400-0027	Strain Relief and Nut for Extractor
13	400-0029	Pigtail for Extractor
14	800-0021	Dump Elbow
15	100-0033	1/2" Push on Cap Nut
16	800-0022	10" Extractor Wheel
17	600-0009	Extractor Axle
18	700-EXT12B	12 Gallon Extractor - BASE
19	100-0054	1/4" Washer for Extractor Cord Wrap
20	100-0038	10-32 x 1-1/2 PHP Machine Screw Plated
21	800-0024	Caster with Brake for Extractor
22	100-0046	1/4-20 x 1/2 PHP Machine Screw Plated
23	800-0023	Caster For Extractor
24	600-0016	Hose Hook - Lower
25	100-0057	5/16-18 X 2" PHILLIPS PAN HD M/S PLATED
26	350-0008	Enclosure for Dual Rod Heater
27	100-0034	#12 x 1/2 PHP Sheet Metal Screw Black
28	150-0009	3/8" Cushioned Clamp
29	201-0019	1/2" Inlet Hose From Tank to Strainer - 50" long





62	800-0017	6" Single Handle Twist Lock Deckplate-Black
63	800-0017-O	O-Ring for Extractor Hatch Cover
64	100-0034	#12 x 1/2 PHP Sheet Metal Screw Black
65	800-0017	6" Single Handle Twist Lock Deckplate- Clear for Extractors
66	650-0010	Extractor Intake Foam Filter
67	600-0029	Extractor Intake Screen
68	100-0036	1/4-20 x 2-1/4 Pan Head Phil m/s Stainless Black Zinc
69	100-0052	1/4-20 Hex Nut Stainless Black Zinc
70	800-0025	2" Wheel for Extractor Handle
71	800-0020	1-1/2" Dump Valve for Extractor
72	500-0010	3-Stage Extractor Motor
73	100-0047	1/4 SAE Flat Washer Stainless Black Zinc (MS15795-810)
74	100-0035	1/4-20 x 4 Hex Head c/s GR5 Plated
75	100-0050	3/4" Nylon Spacer
76	100-0026	Spacer for spotter motor bolt
77	100-0046	1/4-20 x 1/2 PHP Machine Screw Plated
78	600-0017	Bracket for Extractor Tanks
79	400-0026	Tank Wall - Horizontally Mounted Float Switch
80	800-0033	Trim for Extractor Control Panel
81	100-0051	6-32 Hex Nut Steel Zinc Plated

82	400-0031	LED Indicator, Red
83	100-0043	6-32 x 1/2 PHP Machine Screw Plated
84	500-0025	A/C - SH-713 Generator Hour Meter
85	600-0019	Gauge Cluster Bracket
86	600-0031	Spacer for Gauge Cluster
87	300-0029	1/4" Street 45°
88	300-0025	1/4" Female Cross Brass
89	300-0021	1/4" Brass Street Elbow
90	500-0017	600PSI Regulator
91	500-0015	1000psi Gauge for Extractor
92	300-0024	1/4" M x 1/4" F Mini Ball Valve
93	100-0039	10-32 x 1/2 PHP Machine Screw Stainless Black Zinc
94	400-0032	LED Indicator, Green,
95	100-0045	#6 x 1/2 PHP Sheet Metal Screw Plated
96	400-0021	Splash Proof Rocker Switch
97	600-0012	Extractor Control Panel 3 Switch with Gauge
98	800-0027	1.5" Vacuum Hose Barb
99	700-EXT12RTG	12 Gallon Extractor Recovery Tank
100	201-0012	Diffusing Hose for Extractor Recovery Tank
101	400-0007	7" Zip Tie



102	700-EXT12L	12 Gallon Extractor - Lid
103	100-0016	1/4-20x1-1/4 Phillips Pan HD Soc M/S Plated
104	100-0041	5/16 SAE Flat Washer Stainless Black zinc (MS15795-812)
105	100-0048	1/2 SAE Flat Washer Stainless Black Zinc
106	300-0031	1/4" x 1-1/2" Pipe Nipple
107	300-0009	1/4" Female Brass 90 Degree Elbow
108	200-0017	51" overall length 1/4"mpt x 1/4"mpt - Pulse Hose
110	800-0106	1/4" Acorn Strainer
111	300-0022	1/4" Close Nipple
112	300-0028	1/4" Bulkhead Fitting
113	300-0028	1/4" Bulkhead Fitting
114	300-0034	1/2" Barb x 1/4" MNPT 90°
115	201-0019	1/2" Inlet Hose From Tank to Strainer - 50" long
116	150-0013	3/4" Hose Clamp
117	201-0020	1/4" Clear Braided Hose from Bypass Regulator to Solution Tank - 32" long
118	150-0012	Oetiker Clamp #140
119	300-0018	1/4" Barb x 1/4" MNPT Straight Brass
120	300-0037	1/4" Branch Tee
121	300-0005	1/4" Hose Barb x 1/4" MNPT 90 Degree Brass

122	150-0012	Oetiker Clamp #140
123	201-0022	1/4" Clear Braided Hose from Bypass Regulator to Solution Tank - 32" long
124	300-0028	1/4" Bulkhead Fitting
125	300-0005	1/4" Hose Barb x 1/4" MNPT 90 Degree Brass
126	150-0012	Oetiker Clamp #140
127	201-0023	1/4" Clear Braided Hose from Priming Valve to Solution Tank - 31" long
128	300-0028	1/4" Bulkhead Fitting
129	100-0043	6-32 x 1/2 PHP Machine Screw Plated
130	100-0046	1/4-20 x 1/2 PHP Machine Screw Plated
131	600-0028	Extractor Electrical Compartment Cover
132	400-0033	Dual Circuit Indicator
133	100-0051	6-32 Hex Nut Steel Zinc Plated
134	400-0025	Extractor Motor Relay
135	600-0015	Hose Hook Upper
136	300-0021	1/4" Female Quick Disconnect
137	100-0048	1/2 SAE Flat Washer Stainless Black Zinc
138	700-EXT12STGNSS	12 Gallon Extractor - Solution Tank
139	100-0046	1/4-20 x 1/2 PHP Machine Screw Plated
140	600-0027	Keeper plate for Retractable Hook

ELECTRICAL WIRING DIAGRAM

